

Quick Start Guide

TRIPP LITE
SERIES

4-Port USB-C Hub with Laptop Stand and 100W PD Charging



Model:
U460-ST4-4A-C

USB Type-C®
and USB-C®
are registered
trademarks of
USB Implementers
Forum.

Purchased product
may differ from image.

Este manual está disponible en español en la página de
Eaton: Triplite.Eaton.com/support

Ce manuel est disponible en français sur le site Web de
Eaton : Triplite.Eaton.com/support

Dieses Handbuch ist in deutscher Sprache auf der
Eaton-Website verfügbar: Triplite.Eaton.com/support

Questo manuale è disponibile in italiano sul sito web di
Eaton: Triplite.Eaton.com/support

EATON

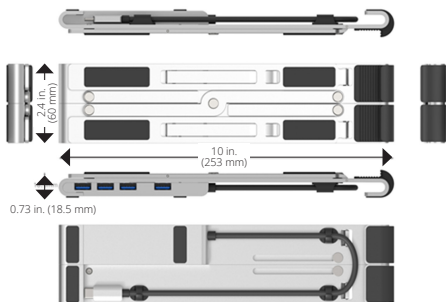
Powering Business Worldwide

Package Contents

- U460-ST4-4A-C 4-Port USB-C Hub with Laptop Stand
- Quick Start Guide

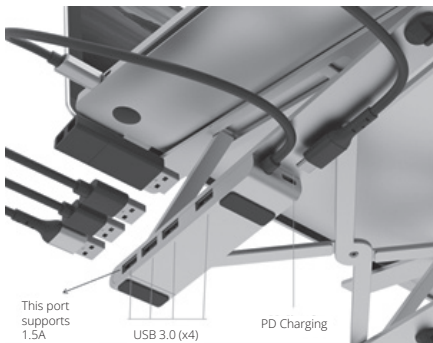
Product Diagram

Adjustable, foldable U460-ST4-4A-C combines a 4-port USB hub and a portable laptop stand to create a mobile workstation for work-from-anywhere users.



Product Features

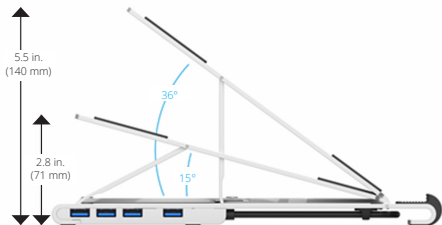
- Adds 4 USB-A ports and one USB-C PD Charging 3.0 port to your laptop's USB-C port



- Supports USB 3.2 Gen 1 data transfer speeds up to 5 Gbps
- USB-C PD Charging 3.0 port supports 20V 5A (100W) power output and Fast Role Swap for charging host device (85W for charging and 15W to power the device)
- 4 USB-A ports share 15W maximum power (one supports 1.5A max for downstream charging)

Product Features

- Allows your choice of 5 different viewing angles from 15° to 36°



- Cable wraps neatly beneath the hub for convenient uncluttered storage when not in use



Product Features

- Hub folds neatly into a compact unit for convenient storage: easily unfolds quickly for



- Bottom bracket design helps create a more ergonomic workspace that accommodates your personal comfort level



Specifications

Input/Output	
Input	USB-C (Male)
Output	(4x) USB-A (Female) USB-C PD Charging (Female)
USB Version	USB 3.2 Gen 1 (5 Gbps)
PD Charging	100W PD Charging (85W for charging, 15W for powering peripherals [4 USB-A ports]).
Environmental	
Operating Temperature Range	32° to 113°F (0° to 45°C)
Storage Temperature Range	32° to 158°F (0° to 70°C)
Relative Humidity Range	10 to 90% RH, Non-Condensing
Warranty	
Limited Warranty	1 Year
Regulatory Approvals	
Certifications	FCC, CE, ICES, RoHS, REACH

Warranty

1-Year Limited Warranty

We warrant our products to be free from defects in materials and workmanship for a period of one (1) year from the date of initial purchase. Our obligation under this warranty is limited to repairing or replacing (at its sole option) any such defective products. Visit Triplite.Eaton.com/support/product-returns before sending any equipment back for repair. This warranty does not apply to equipment which has been damaged by accident, negligence or misapplication or has been altered or modified in any way.

EXCEPT AS PROVIDED HEREIN, WE MAKE NO WARRANTIES, EXPRESS OR IMPLIED, INCLUDING WARRANTIES OF MERCHANTABILITY AND FITNESS FOR A PARTICULAR PURPOSE. Some states do not permit limitation or exclusion of implied warranties; therefore, the aforesaid limitation(s) or exclusion(s) may not apply to the purchaser.

EXCEPT AS PROVIDED ABOVE, IN NO EVENT WILL WE BE LIABLE FOR DIRECT, INDIRECT, SPECIAL, INCIDENTAL OR CONSEQUENTIAL DAMAGES ARISING OUT OF THE USE OF THIS PRODUCT, EVEN IF ADVISED OF THE POSSIBILITY OF SUCH DAMAGE. Specifically, we are not liable for any costs, such as lost profits or revenue, loss of equipment, loss of use of equipment, loss of software, loss of data, costs of substitutes, claims by third parties, or otherwise.

Warranty

WEEE Compliance Information for Customers and Recyclers (European Union)



Under the Waste Electrical and Electronic Equipment (WEEE) Directive and implementing regulations, when customers buy new electrical and electronic equipment from Eaton, they are entitled to:

- Send old equipment for recycling on a one-for-one, like-for-like basis (this varies depending on the country)
- Send the new equipment back for recycling when this ultimately becomes waste

Use of this equipment in life support applications where failure of this equipment can reasonably be expected to cause the failure of the life support equipment or to significantly affect its safety or effectiveness is not recommended.

Eaton has a policy of continuous improvement. Specifications are subject to change without notice. Photos and illustrations may differ slightly from actual products.



Eaton
1000 Eaton Boulevard
Cleveland, OH 44122
United States
Eaton.com

© 2023 Eaton
All Rights Reserved
Publication No.
23-10-234 /
93-3E28_RevC
December 2023

Eaton is a registered trademark.

All trademarks are property of their respective owners.