

614-40148-00



[tripplite.com/support/smartpro-series-ups](http://tripplite.com/support/smartpro-series-ups)




22-04-034 934568\_revA

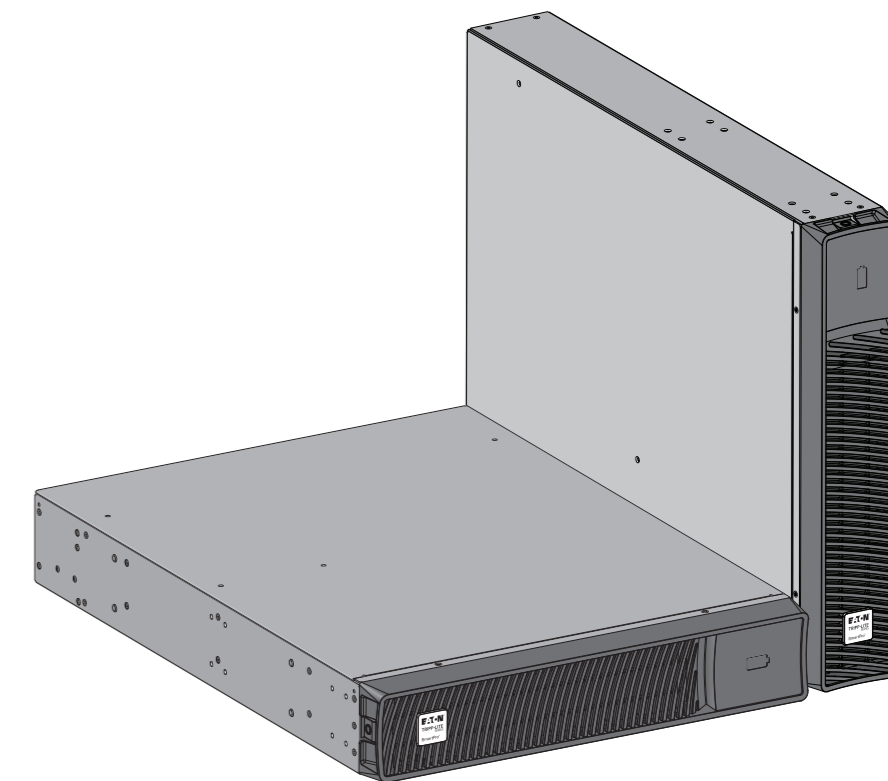
SmartPro®

TRIPP-LITE  
SERIES

BP48VRM2U  
BP72VRM2U

Quick Start

[tripplite.com](http://tripplite.com)



**EATON**  
Powering Business Worldwide