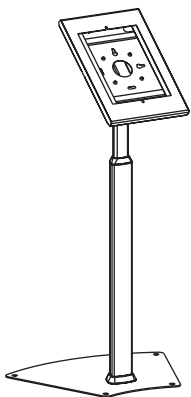


Installation Instructions



Tablet Mount for 9.7 to 10.5" tablets

Model: DMTBS911

Este manual está disponible en español en la página de Tripp Lite: tripplite.com

Ce manuel est disponible en français sur le site Web de Tripp Lite : tripplite.com

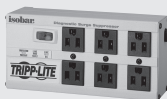
Русскоязычная версия настоящего руководства представлена на веб-сайте компании Tripp Lite по адресу: tripplite.com

Dieses Handbuch ist in deutscher Sprache auf der Tripp Lite-Website verfügbar: tripplite.com

WARRANTY REGISTRATION

Register your product today and be automatically entered to win an ISOBAR® surge protector in our monthly drawing!

tripplite.com/warranty



TRIPP·LITE

1111 W. 35th Street, Chicago, IL 60609 USA • tripplite.com/support

Copyright © 2022 Tripp Lite. All rights reserved.

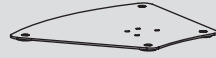
Component Checklist



A
x1



B
x1

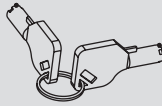


C
x1

Package P



D
x1



E
x1



F
x4



G
x4



H
x4



I
x4



J
x2



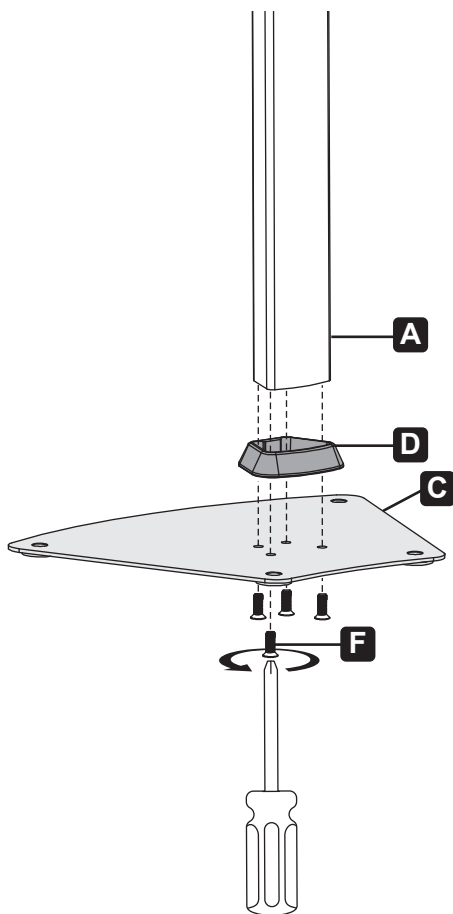
K
x2



L
x1

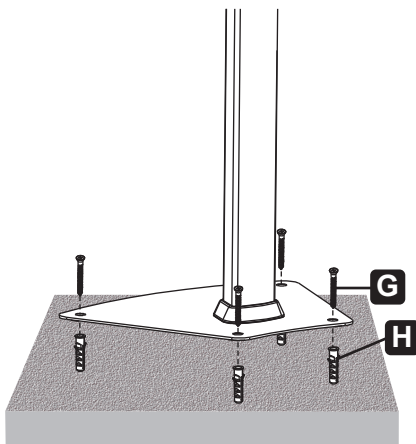
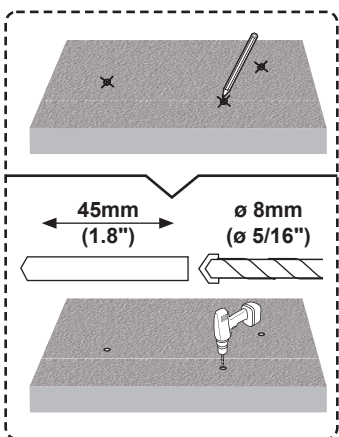
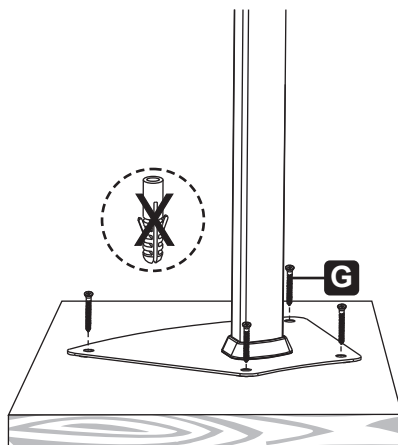
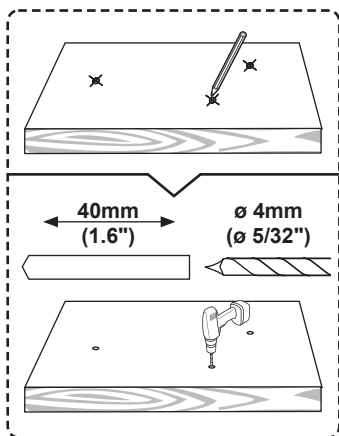
Installation

1



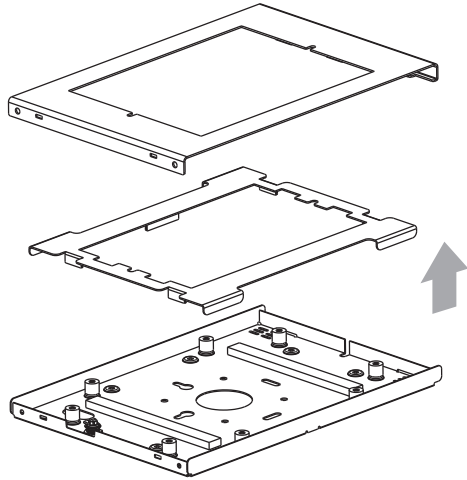
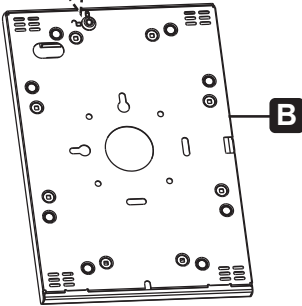
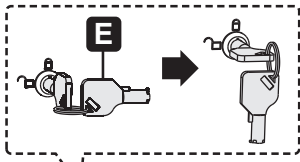
Installation

2

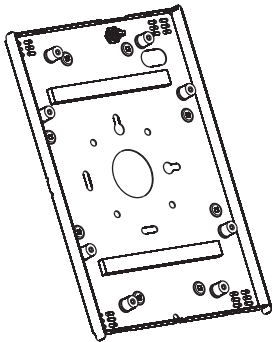


Installation

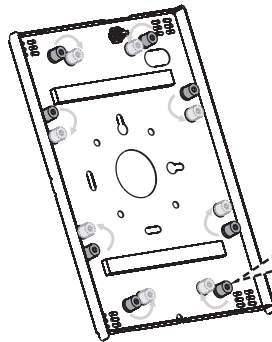
3



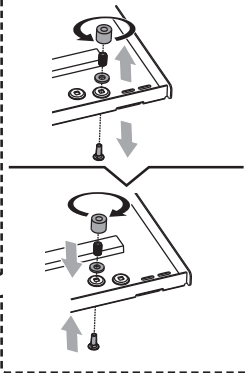
For 10.1" Samsung Galaxy Tab A (2019), 10.2" iPad, 10.5" iPad Air (Gen 3) & 10.5" iPad Pro



For 9.7" iPad

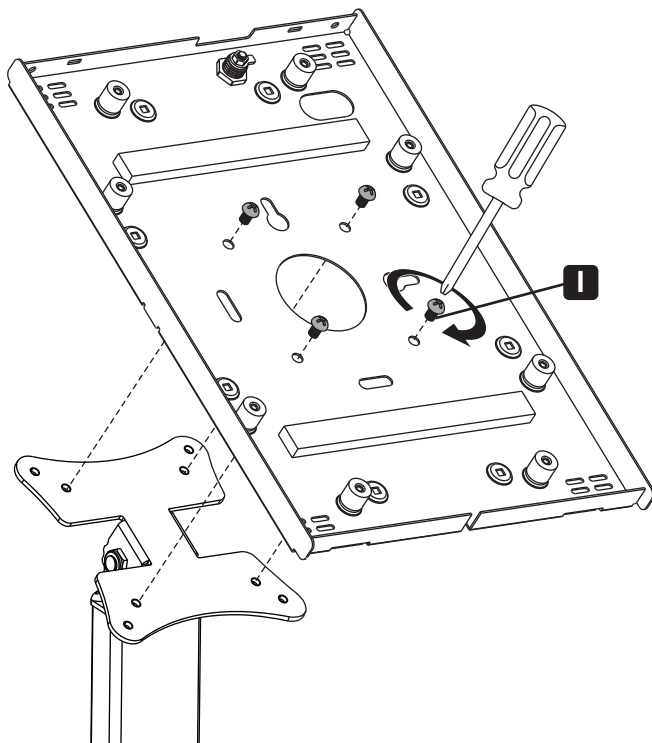


Move the spacers to the positions marked by the arrows, as shown.



Installation

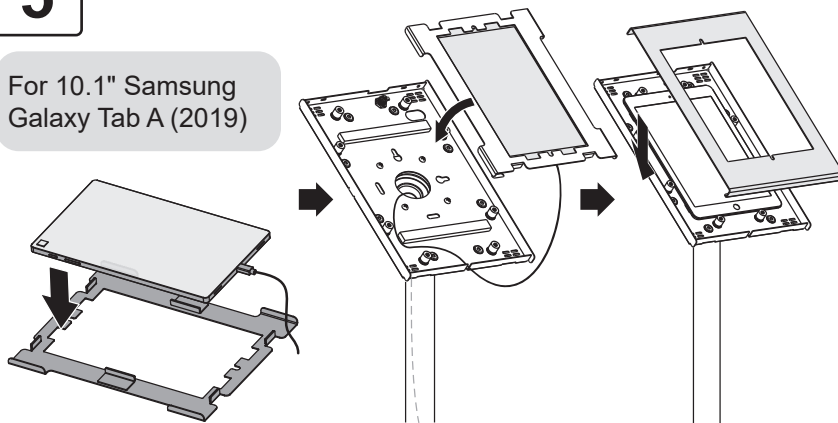
4



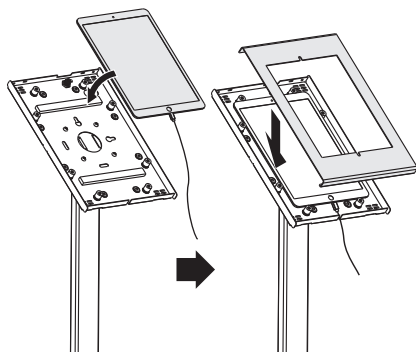
Installation

5

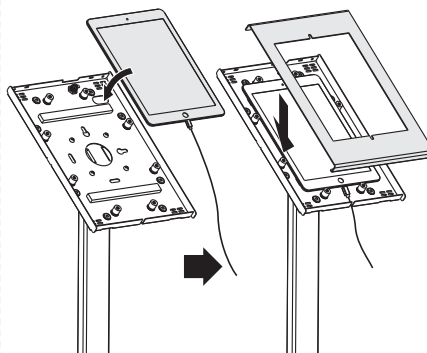
For 10.1" Samsung
Galaxy Tab A (2019)



For 10.2" iPad & 10.5" iPad Air
(Gen 3) & 10.5" iPad Pro

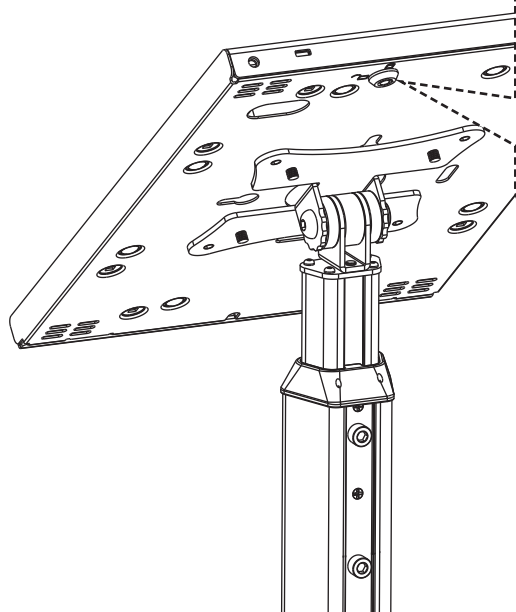


For 9.7" iPad

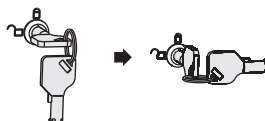


Installation

6

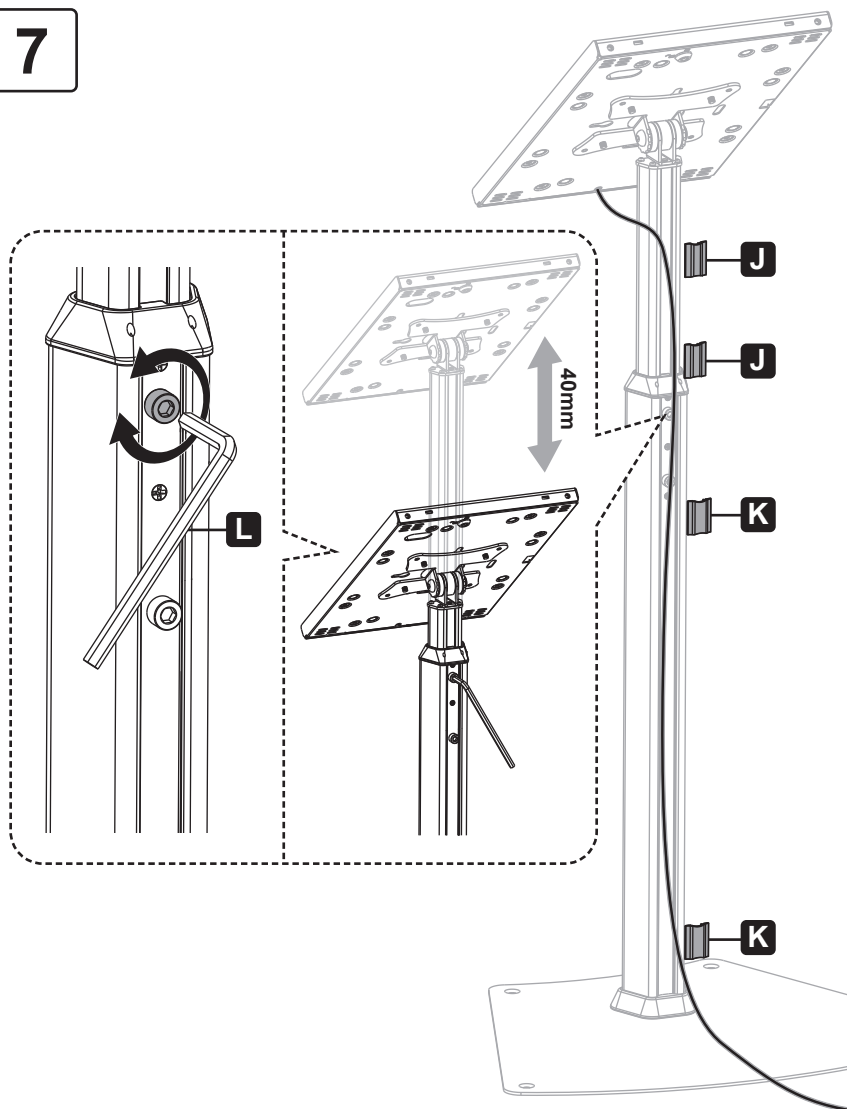


Before locking the enclosure, confirm the camera is visible through the slot, as shown.



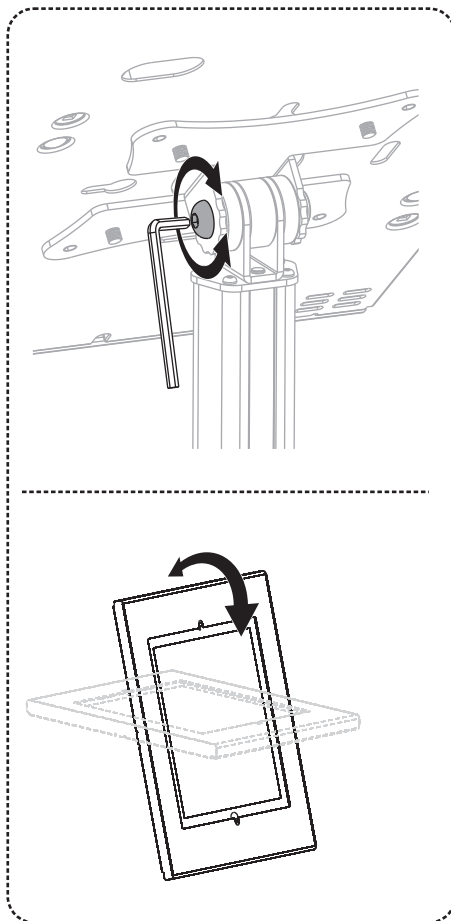
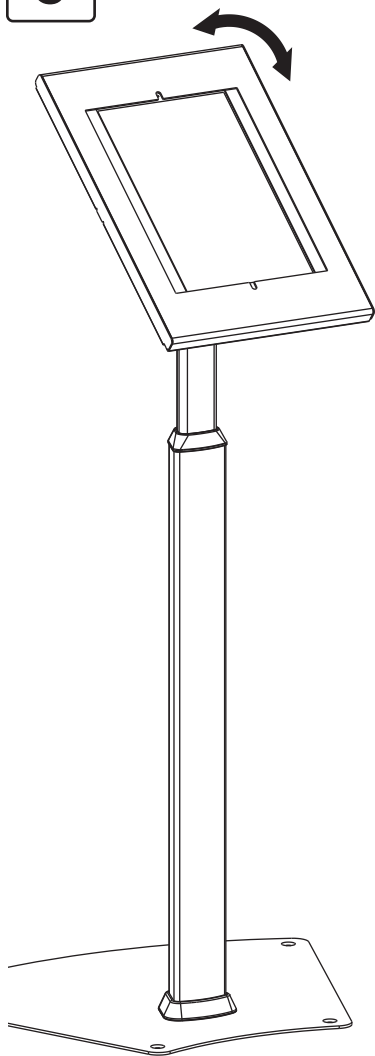
Installation

7



Installation

8





1111 W. 35th Street, Chicago, IL 60609 USA • tripplite.com/support