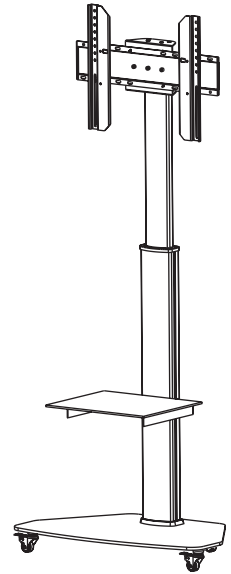


# Owner's Manual

## Professional Mobile Cart for 37-70" Screens

Models: DMCS3770SG75, DMCS3770SG75W



CAUTION: DO NOT EXCEED MAXIMUM LISTED WEIGHT CAPACITY. SERIOUS INJURY OR PROPERTY DAMAGE MAY OCCUR!



100x100 / 200x100 / 200x200 /  
300x100 / 300x200 / 300x300 /  
400x100 / 400x200 / 400x300 /  
400x400 / 600x400

70"  
MAX



Este manual está disponible en español en la página de Tripp Lite: [tripplite.com](http://tripplite.com)

Ce manuel est disponible en français sur le site Web de Tripp Lite : [tripplite.com](http://tripplite.com)

Русскоязычная версия настоящего руководства представлена на веб-сайте компании Tripp Lite по адресу: [tripplite.com](http://tripplite.com)

Dieses Handbuch ist in deutscher Sprache auf der Tripp Lite-Website verfügbar: [tripplite.com](http://tripplite.com)

### WARRANTY REGISTRATION

Register your product today and be automatically entered to win an ISOBAR® surge protector in our monthly drawing!

[tripplite.com/warranty](http://tripplite.com/warranty)



1111 W. 35th Street, Chicago, IL 60609 USA • [tripplite.com/support](http://tripplite.com/support)

Copyright © 2022 Tripp Lite. All rights reserved.

# Safety Instructions

**Note: Read the entire instruction manual before you start assembly and installation.**



- Do not begin the installation until you have read and understood the instructions and warnings contained in this manual. If you have questions regarding any of the instructions or warnings, please visit [tripplite.com/support](http://tripplite.com/support).
- This product was designed to be installed and utilized ONLY as specified in this manual. Improper installation of this product may cause damage or serious injury.
- Make sure the unit can safely support the combined load of the equipment and all attached hardware and components.
- Make sure the unit can safely support the combined load of the equipment and all attached hardware and components.
- Tighten screws firmly, but do not over-tighten. Over tightening can cause damage to the items, greatly reducing their holding power.
- This product is intended for indoor use only. Using this product outdoors could lead to product failure and personal injury.
- By reason of the many large television construction types available, the wall-mount screen installation materials cannot accommodate every screen type. Therefore, it is possible the provided screws may not fit your TV.
- Make sure that before and after the installation of the screen and the mounting bracket, neither you nor somebody else can be injured and other objects can be damaged. If in doubt, request for help from an expert.
- This unit is not a toy and is not suitable for use by children. Children should be supervised at all times around this unit.
- This unit contains glass parts. Do not subject the glass parts to sudden shock, knocks or quick changes in temperature. The unit may fracture and will form small, sharp shards. Take extreme care when handling broken glass.

## Warranty and Product Registration

### 5-Year Limited Warranty

Seller warrants this product, if used in accordance with all applicable instructions, to be free from original defects in material and workmanship for a period of 5 years from the date of initial purchase. If the product should prove defective in material or workmanship within that period, Seller will repair or replace the product, at its sole discretion.

THIS WARRANTY DOES NOT APPLY TO NORMAL WEAR OR TO DAMAGE RESULTING FROM ACCIDENT, MISUSE, ABUSE OR NEGLIGENCE. SELLER MAKES NO EXPRESS WARRANTIES OTHER THAN THE WARRANTY EXPRESSLY SET FORTH HEREIN. EXCEPT TO THE EXTENT PROHIBITED BY APPLICABLE LAW, ALL IMPLIED WARRANTIES, INCLUDING ALL WARRANTIES OF MERCHANTABILITY OR FITNESS, ARE LIMITED IN DURATION TO THE WARRANTY PERIOD SET FORTH ABOVE; AND THIS WARRANTY EXPRESSLY EXCLUDES ALL INCIDENTAL AND CONSEQUENTIAL DAMAGES. (Some states do not allow limitations on how long an implied warranty lasts, and some states do not allow the exclusion or limitation of incidental or consequential damages, so the above limitations or exclusions may not apply to you. This warranty gives you specific legal rights, and you may have other rights which vary from jurisdiction to jurisdiction.)

WARNING: The individual user should take care to determine prior to use whether this device is suitable, adequate or safe for the use intended. Since individual applications are subject to great variation, the manufacturer makes no representation or warranty as to the suitability or fitness of these devices for any specific application.

### PRODUCT REGISTRATION

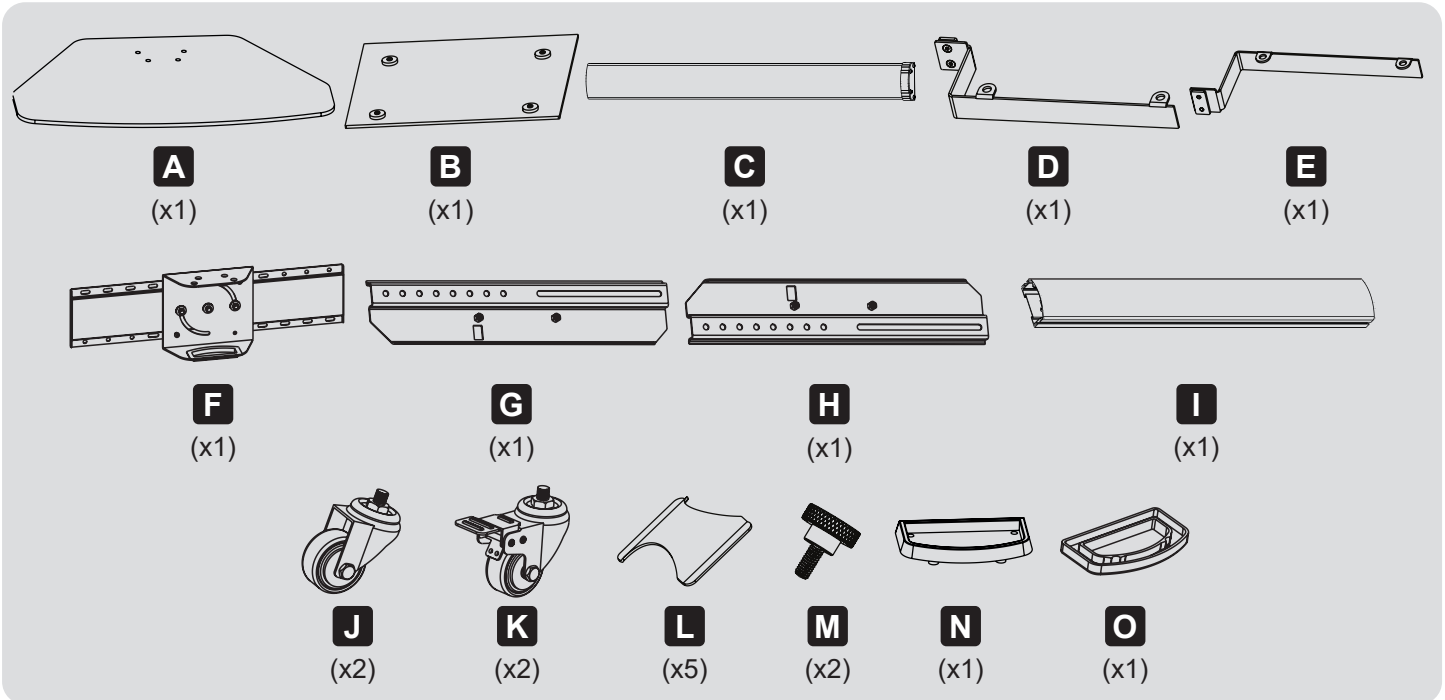
Visit [tripplite.com/warranty](http://tripplite.com/warranty) today to register your new Tripp Lite product. You'll be automatically entered into a drawing for a chance to win a FREE Tripp Lite product!\*

\* No purchase necessary. Void where prohibited. Some restrictions apply. See website for details.

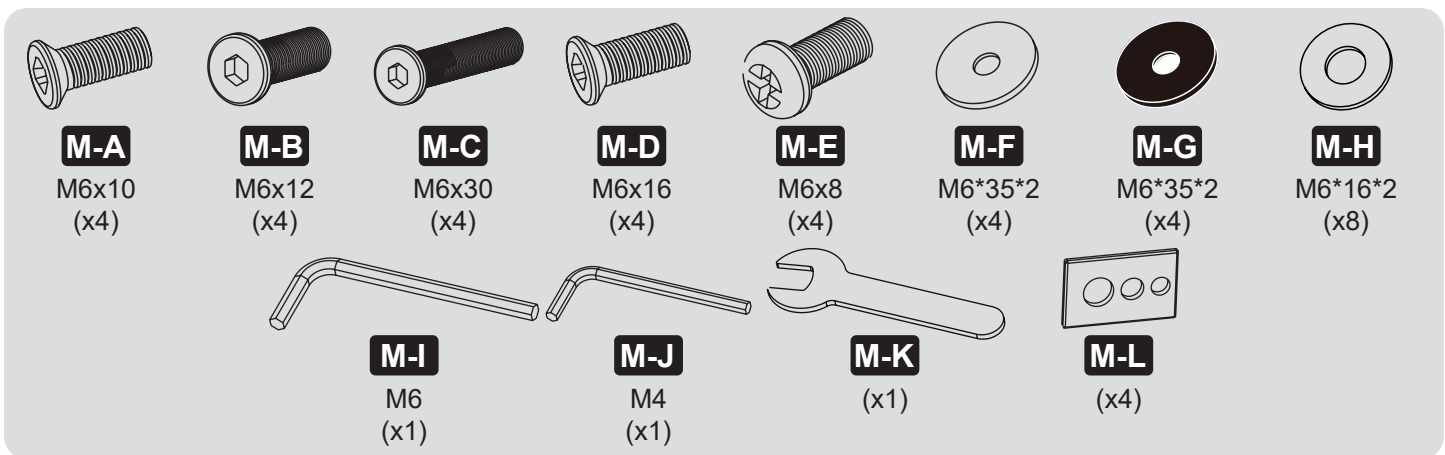
Tripp Lite has a policy of continuous improvement. Specifications are subject to change without notice. Photos and illustrations may differ slightly from actual products.

# Component Checklist

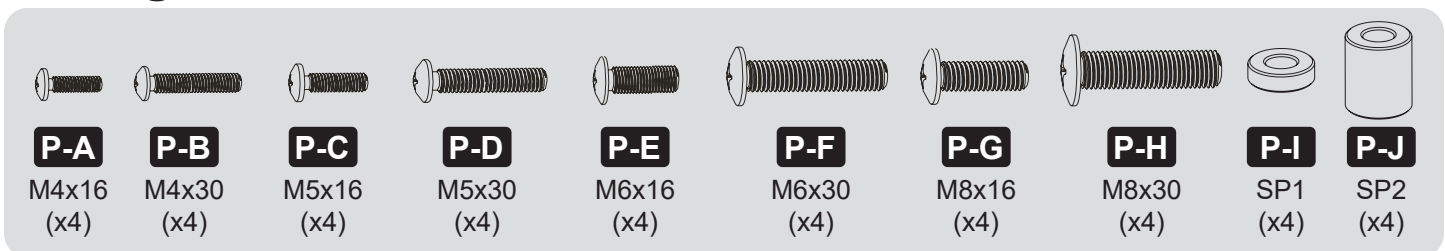
**IMPORTANT:** Ensure you have received all parts according to the component checklist prior to installing. If any parts are missing or faulty, visit [triplite.com/support](http://triplite.com/support) for service.



## Package M

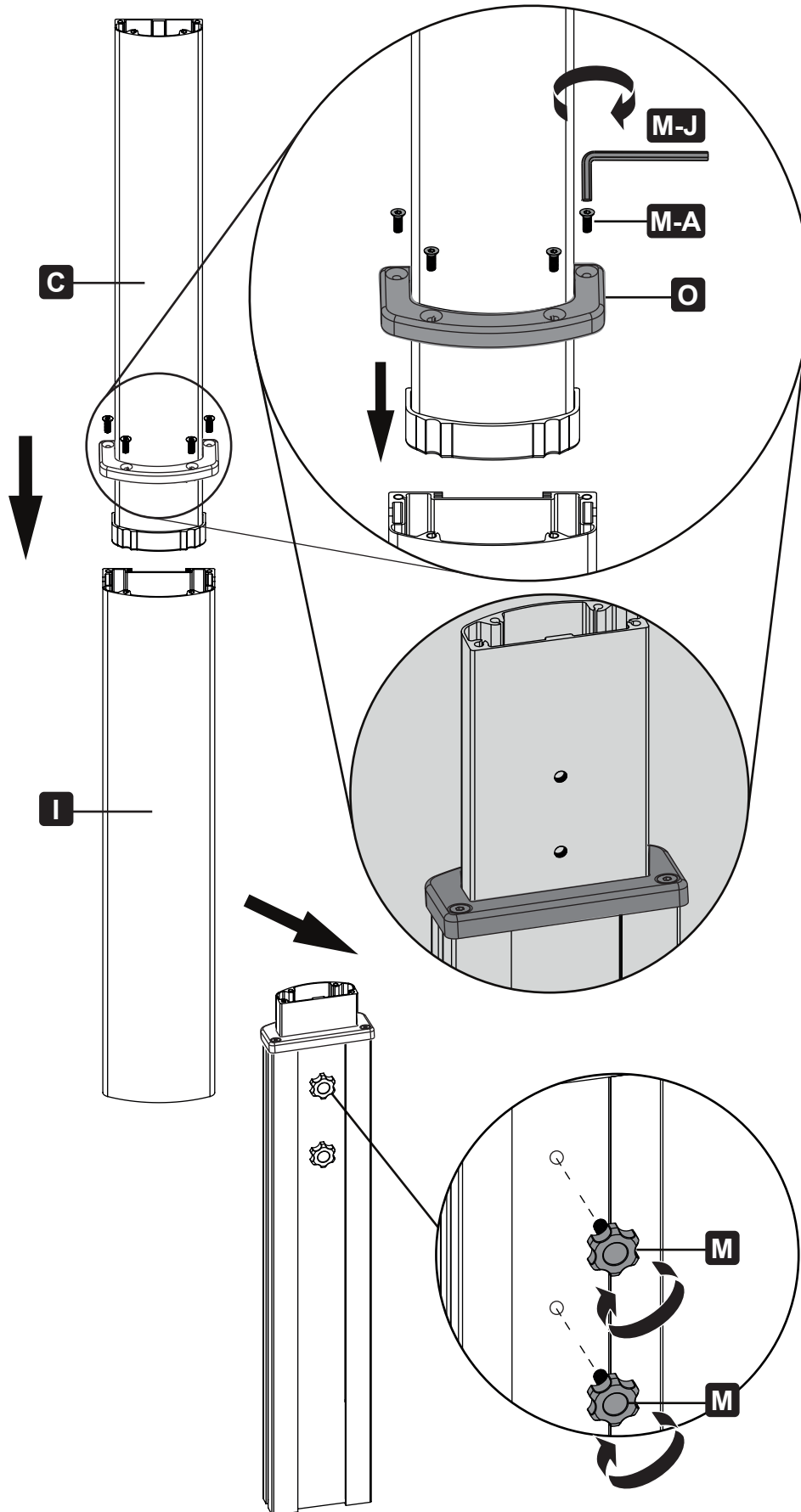


## Package P



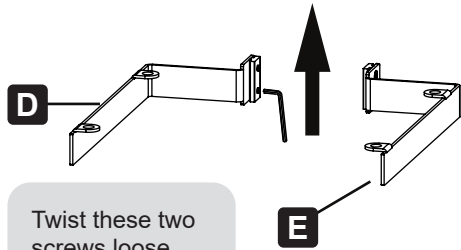
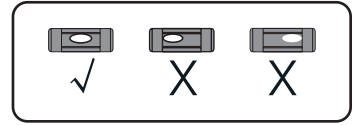
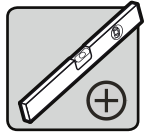
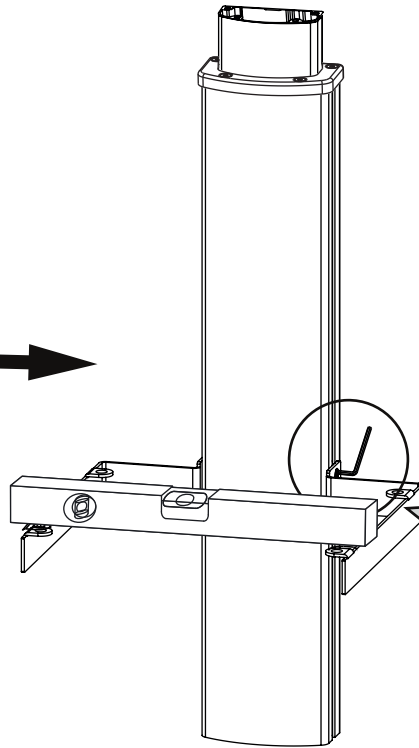
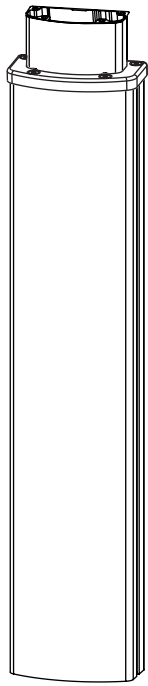
# Assembly

1

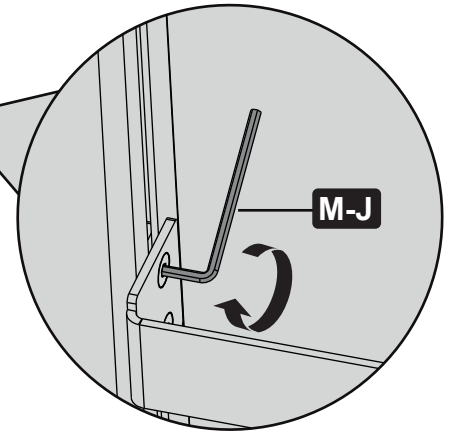


# Assembly

2

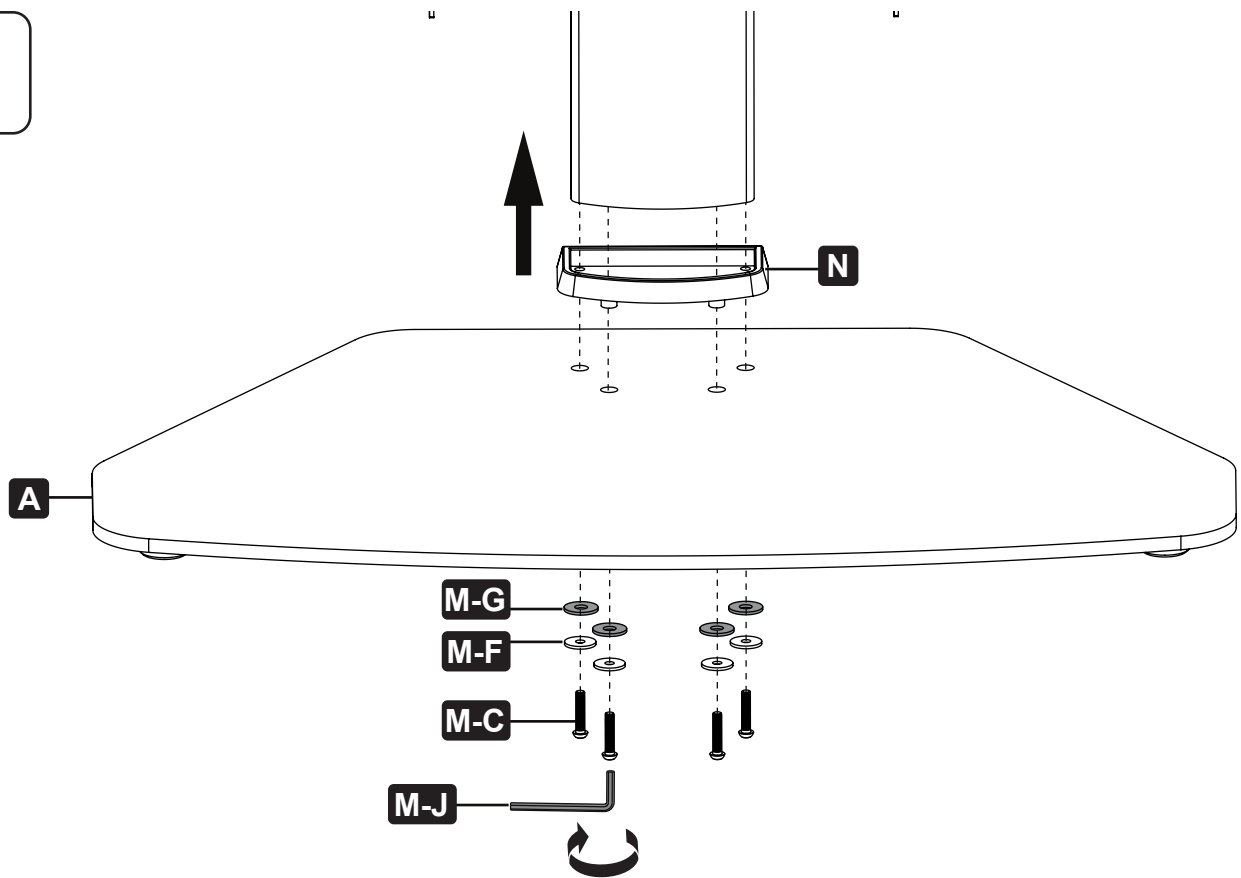


Twist these two screws loose before install.

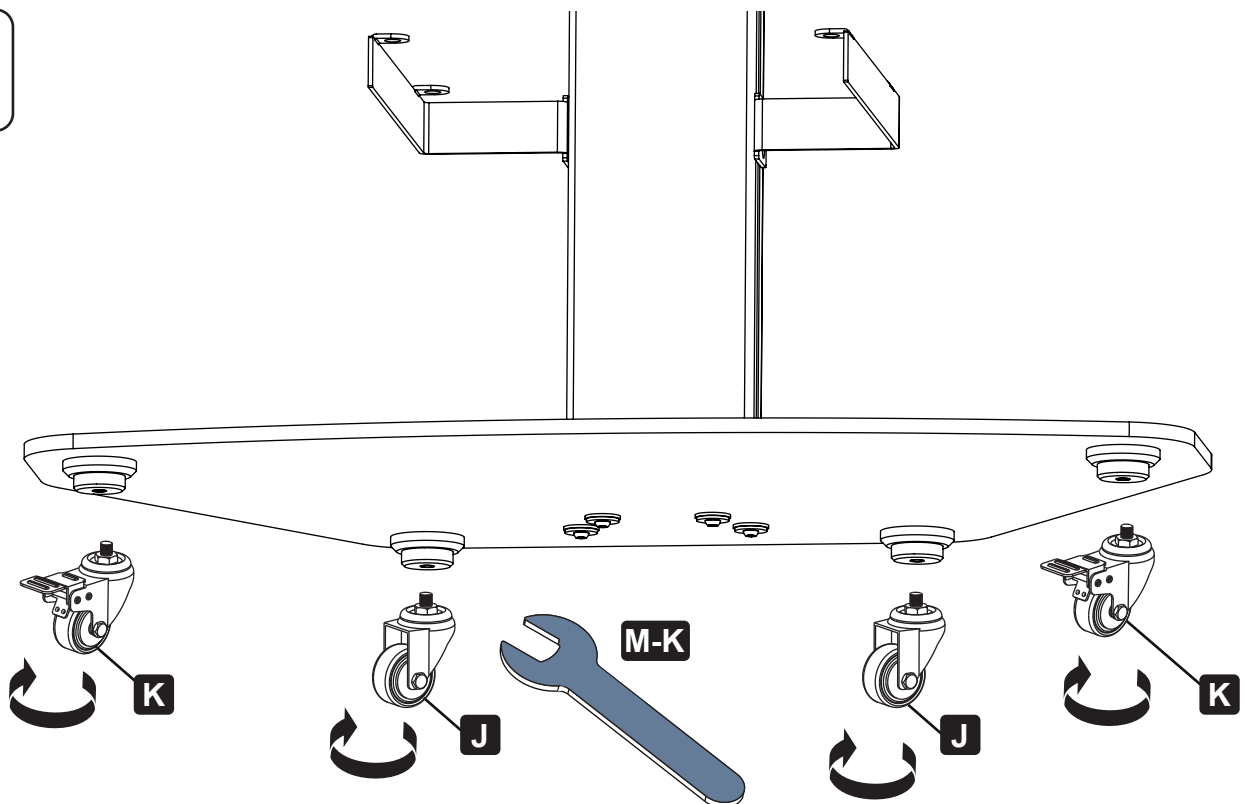


# Assembly

3

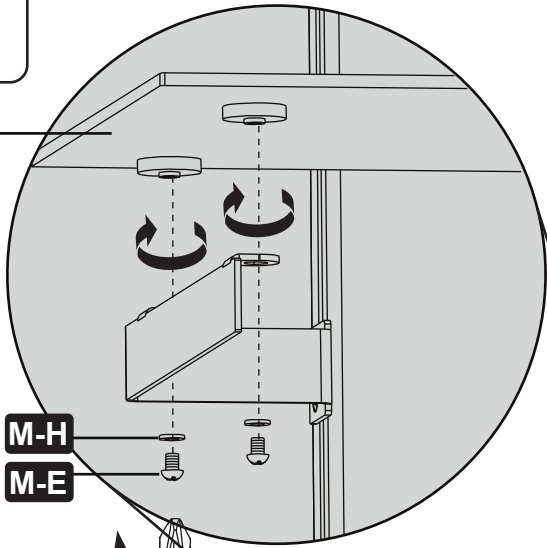
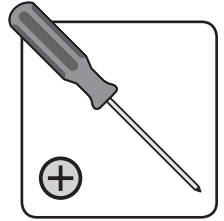


4

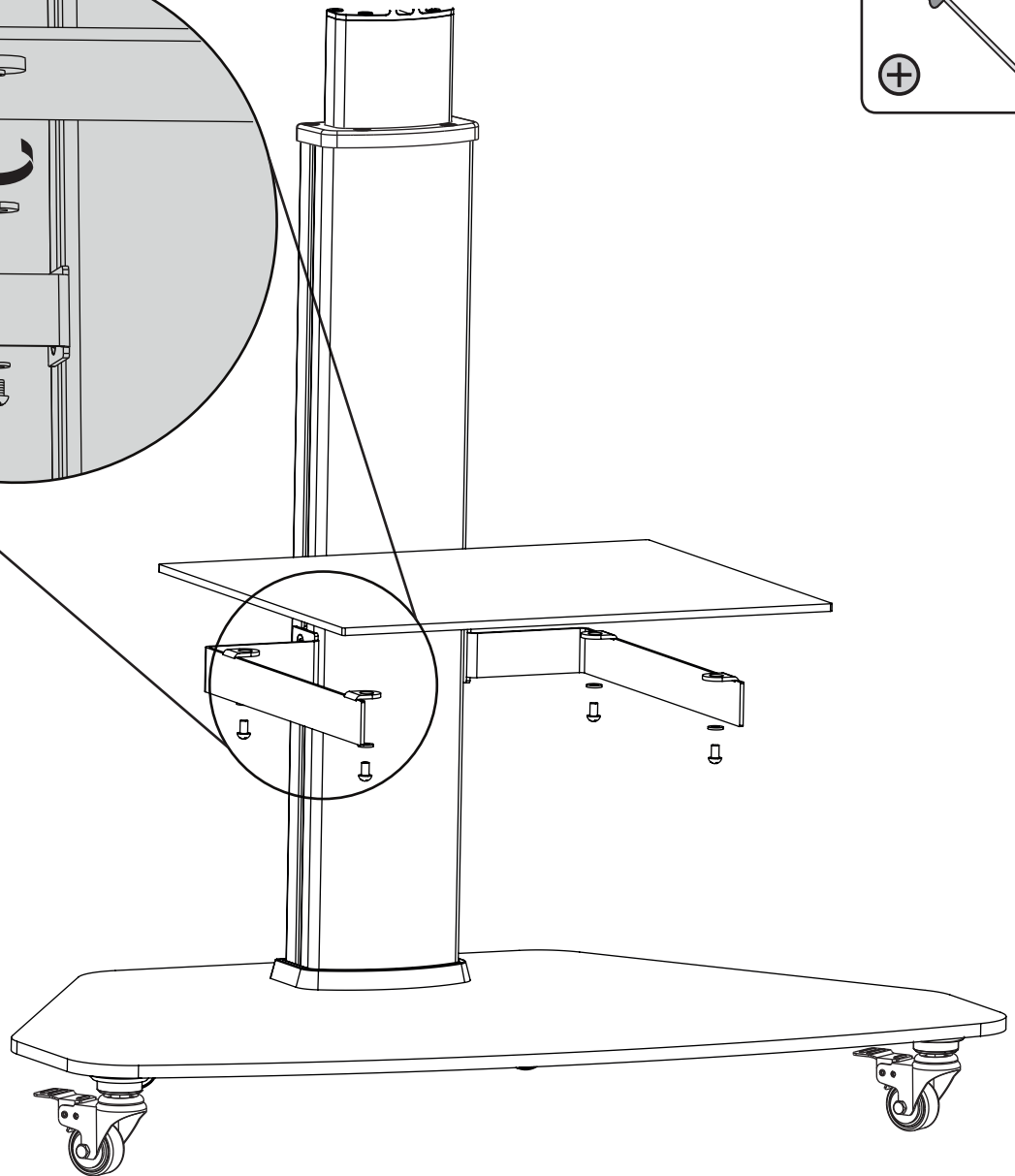


# Assembly

**5**

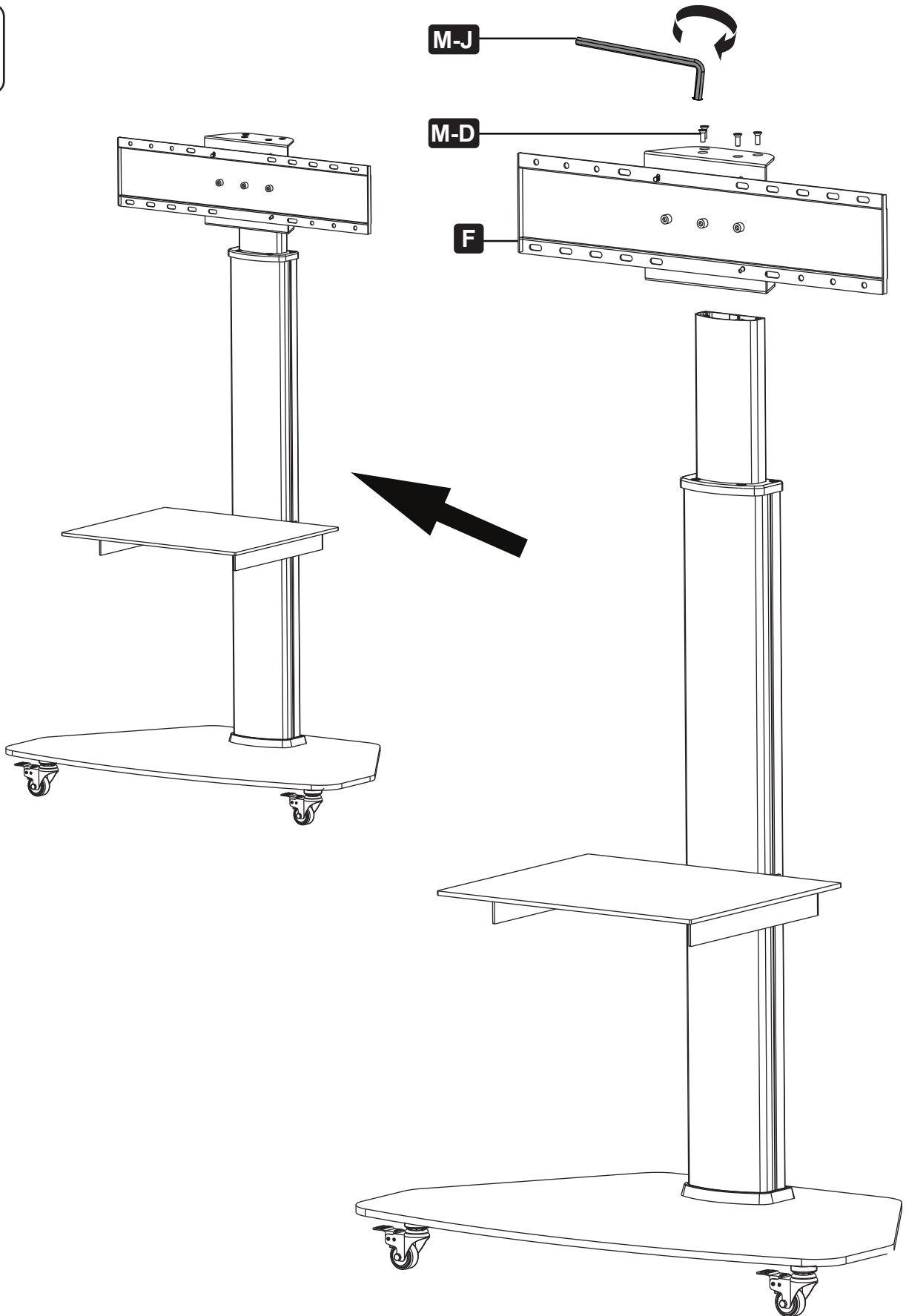


**M-H**  
**M-E**



# Assembly

6

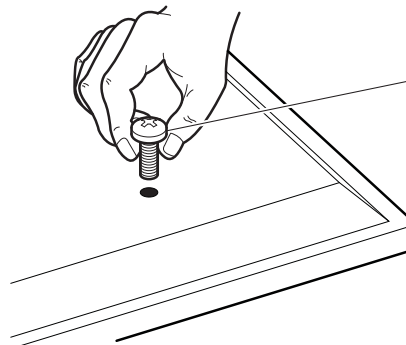
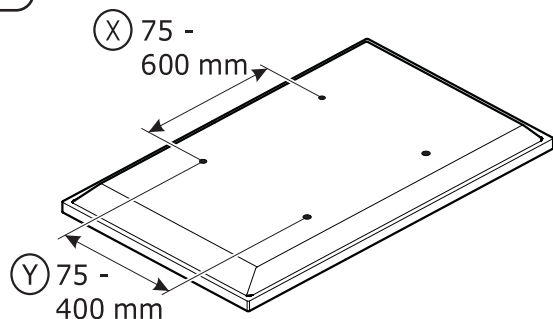




# Assembly

## 7

### Measure the TV Fixing Holes' Width and Height



M4 = P-A/B

M5 = P-C/D

M6 = P-E/F

M8 = P-G/H



If width ⊗ is greater than 600 mm or height ⊙ greater than 400 mm. STOP installation now and contact Tripp Lite Customer Support.

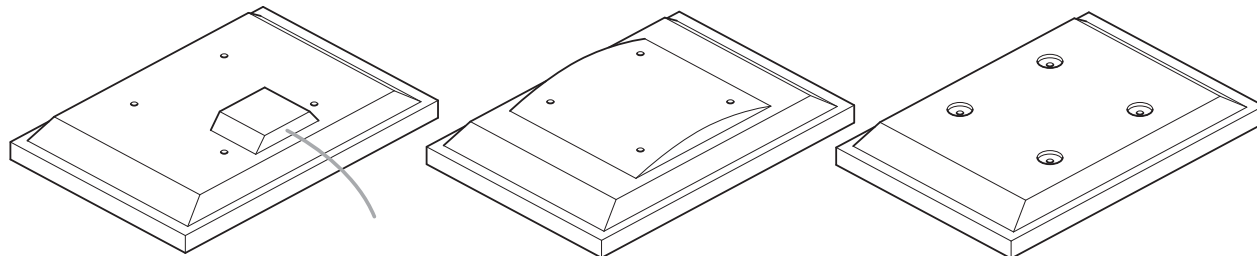
You are provided with 4 diameters of TV fixing screws: **M4, M5, M6** and **M8**. Determine the screw diameter that fits.

**Spacers**

**SP1**

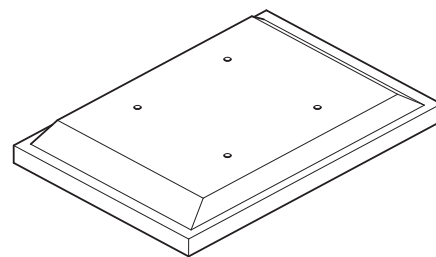
**SP2**

For TVs with irregular/obstructed back.



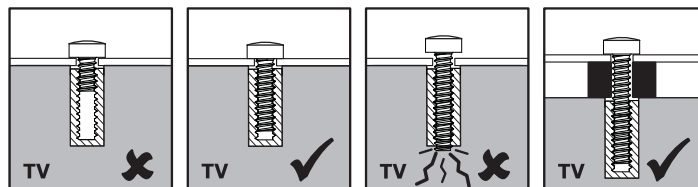
**No Spacers**

For TVs with flat/unobstructed back.



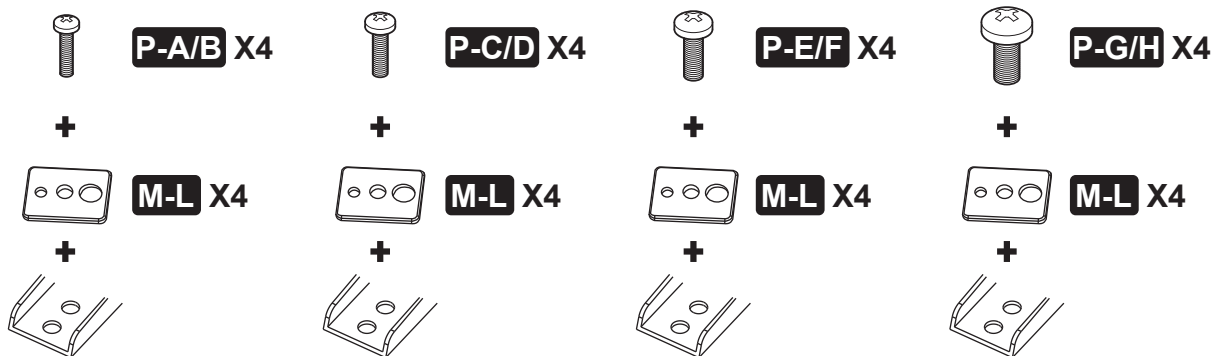
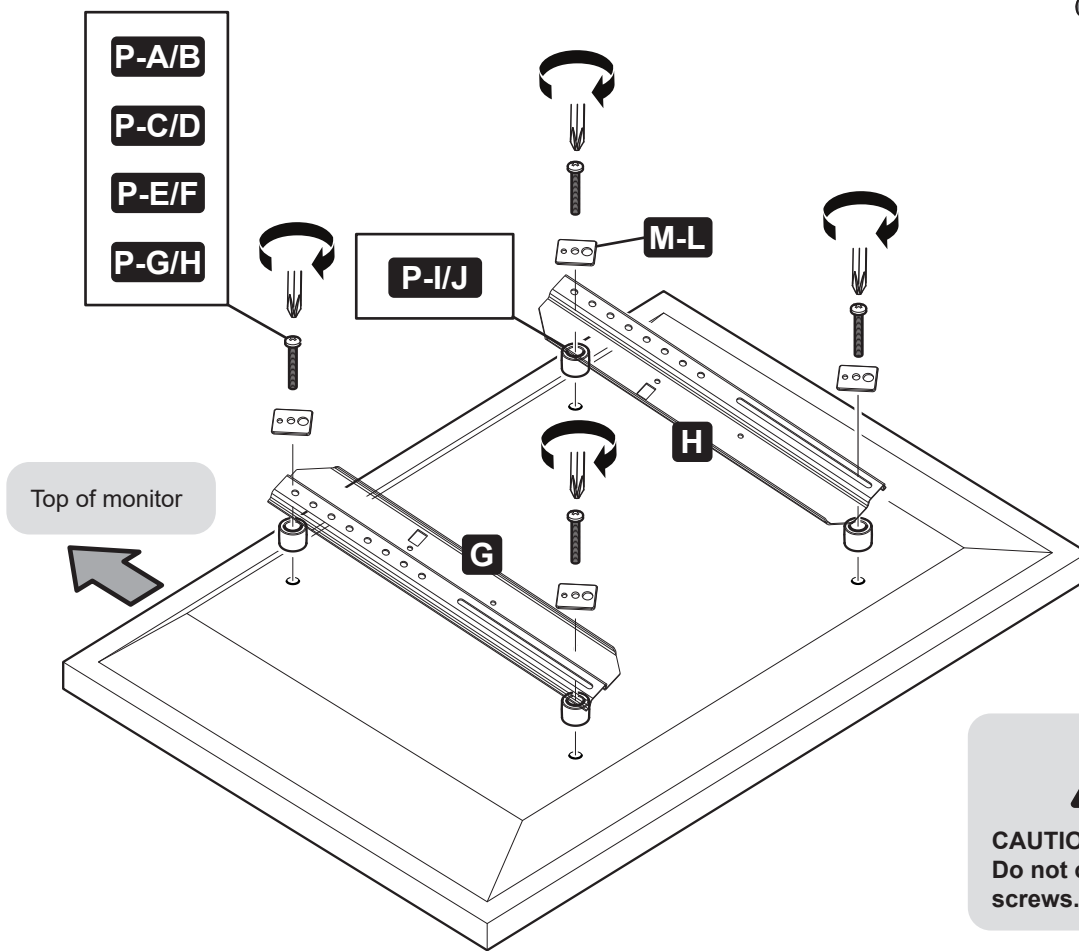
**WARNING**

Please keep for future reference.



# Assembly

8

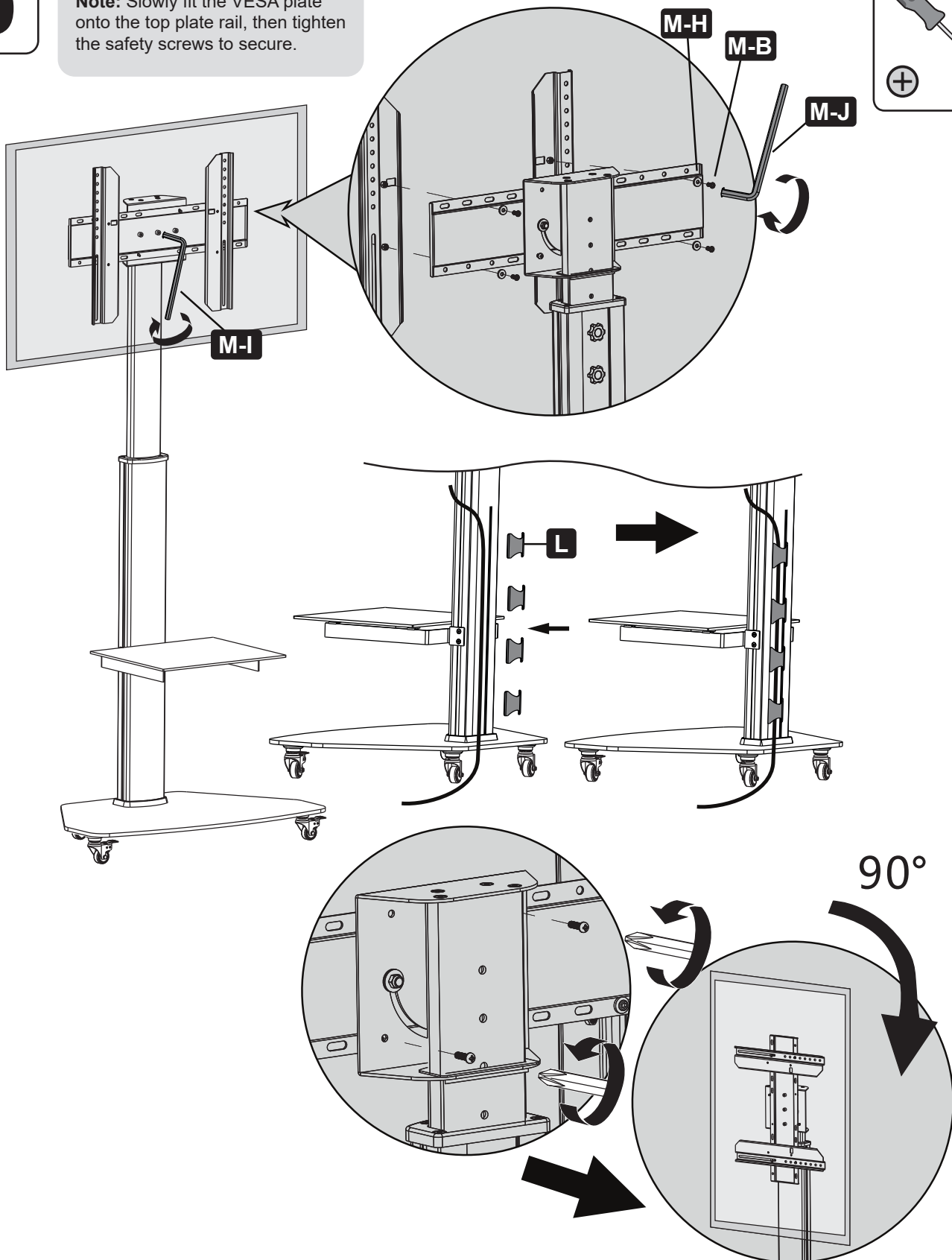
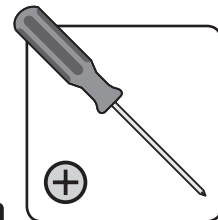


**Note:** Choose the appropriate Screws, Washers and Spacers (if needed) according to the type of screen.

# Assembly

9

**Note:** Slowly fit the VESA plate onto the top plate rail, then tighten the safety screws to secure.



### **Maintenance**

- Check that the bracket is secure and safe to use at regular intervals (at least every three months).
- Please visit [tripplite.com/support](http://tripplite.com/support) if you have any questions.



1111 W. 35th Street, Chicago, IL 60609 USA • [tripplite.com/support](http://tripplite.com/support)