

# Owner's Manual

## 4K/60 HDMI over Cat6 Extenders and Splitters, Multi-Resolution Function Support

Local Unit Models: B127P-002-H, B127P-004-H

Remote Unit Models: B127P-100-H, B127P-100-H-SR

Español 17 • Français 33 • Русский 49

### WARRANTY REGISTRATION

Register your product today and be automatically entered to win an ISOBAR surge protector in our monthly drawing!

[tripplite.com/warranty](http://tripplite.com/warranty)



1111 W. 35th Street, Chicago, IL 60609 USA • [tripplite.com/support](http://tripplite.com/support)

Copyright © 2019 Tripp Lite. All rights reserved.

## Package Contents

|                                   | <b>B127P-002-H</b> | <b>B127P-004-H</b> | <b>B127P-100-H</b> | <b>B127P-100-H-SR</b> |
|-----------------------------------|--------------------|--------------------|--------------------|-----------------------|
| Local (L) Unit or Remote (R) Unit | L                  | L                  | R                  | R                     |
| External Power Supplies (0 or 1)  | 1                  | 1                  | 0                  | 0                     |
| Mounting Hardware                 | Y                  | Y                  | Y                  | N                     |

## Product Features

### All

- Support a maximum video resolution of 4K (3840 x 2160) @ 60 Hz with 4:4:4 Chroma Subsampling
- Support up to 7.1-channel surround sound audio
- HDMI 2.0, HDCP 2.2 and HDR compatible
- Plug and play—no software or drivers required

## Product Features

### **B127P-002-H**

- 2-Port HDMI over Cat6 Extender/Splitter Local Transmitter Unit
- Splits an HDMI signal into two
- Works in tandem with Tripp Lite's B127P-100-H and B127P-100-H-SR receiver units to extend an HDMI signal
- Power over Cable (PoC) function to transfer power to remote receivers
- Supports 4K (3840 x 2160) @ 60 Hz and 1080 @ 60 Hz signals
- Multi-resolution function allows displays with varying resolutions to co-exist in a single application without downgrading signal quality to the lowest resolution
- Includes mounting hardware that allows unit to be wall-mounted, rack-mounted or pole-mounted

### **B127P-004-H**

- 4-Port HDMI over Cat6 Extender/Splitter Local Transmitter Unit
- Splits an HDMI signal into four
- Works in tandem with Tripp Lite's B127P-100-H and B127P-100-H-SR receiver units to extend an HDMI signal
- Power over Cable (PoC) function to transfer power to remote receivers
- Supports 4K (3840 x 2160) @ 60 Hz and 1080 @ 60 Hz signals
- Multi-resolution function allows displays with varying resolutions to co-exist in a single application without downgrading signal quality to the lowest resolution
- Includes an additional HDMI port, which can be used to connect a local monitor or to daisy-chain additional B127P-004-H units (up to three units can be daisy-chained together)
- Includes mounting hardware that allows unit to be wall-mounted, rack-mounted or pole-mounted

## Product Features

### **B127P-100-H**

- HDMI over Cat6 Power over Cable (PoC) Remote Receiver Unit
- Works with B127P-002-H and B127P-004-H extender/splitters to extend a 4K @ 60 Hz signal up to 125 ft. (38 m) from the source
- Built-in equalization control for video image auto-adjustment
- Supports 4K (3840 x 2160) @ 60 Hz and 1080 @ 60 Hz signals
- Multi-resolution function allows displays with varying resolutions to co-exist in a single application without downgrading signal quality to the lowest resolution
- Includes mounting hardware that allows unit to be wall-mounted, rack-mounted or pole-mounted

### **B127P-100-H-SR**

- HDMI over Cat6 Power over Cable (PoC) Short Distance Remote Receiver Unit
- Works with B127P-002-H and B127P-004-H extender/splitters to extend a 4K @ 60 Hz signal up to 50 ft. (15 m) from the source
- Built-in equalization control for video image auto-adjustment
- Supports 4K (3840 x 2160) @ 60 Hz and 1080 @ 60 Hz signals
- Multi-resolution function allows displays with varying resolutions to co-exist in a single application without downgrading signal quality to the lowest resolution
- Built-in 6 in. HDMI pigtail cable attaches directly to HDMI port at display

### **Optional Accessories:**

- N202-Series Cat6 24 AWG Solid Wire Patch Cables
- P569-XXX-CERT or P568-XXX-2A Series High-Speed HDMI 2.0 Cables

## Disclaimer

Before installation, please check the following settings of your source(s) and TV/monitor(s):

1. Set to display 60 Hz. Double-check factory settings, as default can be set to a lower frequency (Hz) than advertised.
2. Ensure the input setting of your monitor is set at HDMI 2.0. Some displays may have default setting at HDMI 1.4.
3. Verify your monitor has the HDR feature enabled. Some displays may have this feature disabled as a factory setting.
4. Check if the Ultra HD (UHD) Deep Color setting is enabled on your TV/monitor. Confirm with your TV/monitor manufacturer which HDMI ports support UHD Deep Color.

**Note:** *If you wish to connect a local monitor to your installation, depending on your TV/monitor make/model, the UHD Deep Color setting may need to be disabled on your local TV/monitor to achieve 4K 60 Hz resolution.*

## Mounting Instructions (select models only)

The B127P-002-H, B127P-004-H and B127P-100-H include mounting hardware that allows for a variety of mounting methods. The following images illustrate how the included mounting brackets can be attached for different installations.

**Note:** The model shown in the below images is for illustrative purposes only. Your product may vary by model number, size or port orientation. The mounting options for all over-IP units are the same.

### Wall-mount



### 19" Rack-mount



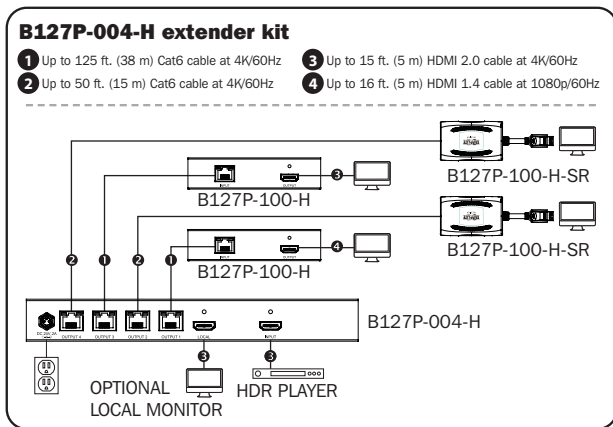
### Pole-mount



# Standard Extender/Splitter Installation

## Notes:

- 1) Test to ensure the entire installation works properly before pulling cables through ceilings/walls.
- 2) To achieve maximum distance and performance, use 24 AWG solid-wire Cat6 cable. Using stranded-wire Cat6 cable, or cable with a higher gauge size like 26 AWG, will result in a shorter extension distance since the cable will have a more limited transmission capability. All Tripp Lite N202-Series Cat6 cables are made with 24 AWG solid-wire cabling.
- 3) The installation diagram shows the B127P-004-H local transmitter unit. The B127P-002-H installation is the same, except there are only two remote ports and no local port monitor.
- 4) External power is not required for the B127P-100-H and B127P-100-H-SR units due to Power over Cable (PoC) technology incorporated in the transmitter units.



## Standard Extender/Splitter Installation

1. Make sure all equipment in the installation—such as TVs, Blu-ray players and the transmitter—is powered OFF.
2. Using an HDMI 2.0 cable (such as Tripp Lite P569-XXX-CERT or P568-XXX-2A Series cables), connect the HDMI source to the INPUT port on the B127P-002-H or B127P-004-H.
3. **Optional for B127P-004-H:** Using an HDMI 2.0 cable (such as Tripp Lite P569-XXX-CERT or P568-XXX-2A Series cables), connect an HDMI monitor to the LOCAL port on the B127P-004-H unit.
4. Using Cat6 cable, connect the RJ45 port on the local transmitter unit to the RJ45 port on the remote receiver unit.
5. Repeat Step 4 for each additional remote unit being connected.
6. Using an HDMI 2.0 cable (such as Tripp Lite P569-XXX-CERT or P568-XXX-2A Series cables), connect the remote receiver unit's HDMI port to a monitor.
7. Turn the power on to your connected TVs/monitors. The LOCAL (orange) LED will illuminate to indicate the local port has been connected to a display.
8. Connect the external power supply to the local transmitter unit, and plug it into an available wall outlet or (optional) a Tripp Lite Surge Protector, Power Distribution Unit (PDU) or Uninterruptible Power Supply (UPS). The POWER (green) LED on the local transmitter unit will illuminate to indicate the unit is receiving power from the external power supply. The POWER (green) LED on the remote receiver unit will illuminate to indicate the unit is receiving power from the local transmitter unit through PoC technology.
9. Turn on the power to the HDMI source. The OUTPUT (orange) LED on the local transmitter unit illuminates to indicate a signal is being received from the source. Additionally, the OUTPUT (orange) LED will illuminate for each port signal connection.



## Standard Extender/Splitter Installation

10. The (orange) RJ45 LED will illuminate on both local transmitter and remote receiver units to indicate a signal is being received from source to display. The screen should now display on the connected monitor(s).

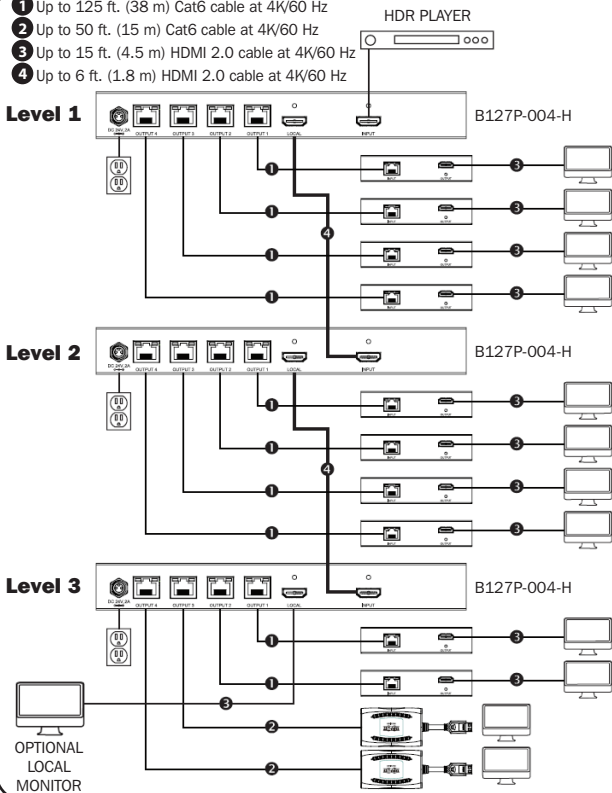
## Extender/Splitter Daisy-Chain Installation

### Notes:

- 1) *Test to ensure the entire installation works properly before pulling cables through ceilings/walls.*
- 2) *To achieve maximum distance and performance, use 24 AWG solid-wire Cat6 cable. Using stranded-wire Cat6 cable, or cable with a higher-gauge size like 26 AWG, will result in a shorter extension distance since the cable will have a more limited transmission capability. All Tripp Lite N202-Series Cat6 cables are made with 24 AWG solid-wire cabling.*
- 3) *Using the B127P-100-H, a 4K/60Hz signal can be extended up to 125 ft. (38 m) from the source. Using a B127P-100-H-SR, a 4K/60Hz signal can be extended up to 50 ft. (15 m) from the source.*

# Extender/Splitter Daisy-Chain Installation

- 1 Up to 125 ft. (38 m) Cat6 cable at 4K/60 Hz
- 2 Up to 50 ft. (15 m) Cat6 cable at 4K/60 Hz
- 3 Up to 15 ft. (4.5 m) HDMI 2.0 cable at 4K/60 Hz
- 4 Up to 6 ft. (1.8 m) HDMI 2.0 cable at 4K/60 Hz



## Extender/Splitter Daisy-Chain Installation

1. Make sure all equipment in the installation—such as TVs, Blu-ray players and the transmitter—is powered OFF.
2. Using an HDMI 2.0 cable (such as Tripp Lite P569-XXX-CERT or P568-XXX-2A Series cables), connect the HDMI source to the INPUT port on the B127P-004-H unit.
3. Using a 6 ft./1.83 m HDMI 2.0 cable (such as Tripp Lite P569-006-CERT or P568-006-2A cables), connect the LOCAL port on the B127P-004-H to the INPUT port on a second B127P-004-H unit.
4. Repeat step 3 if connecting a third B127P-004-H unit.  
*Note: Only three levels of splitters can be cascaded.*
5. **Optional:** Using an HDMI 2.0 cable (such as Tripp Lite P569-XXX-CERT or P568-XXX-2A Series cables), connect a local monitor to the LOCAL HDMI port of the last B127P-004-H unit in the installation.
6. Using Cat6 cable, connect one of the RJ45 output ports on the local transmitter units to the RJ45 input port on a B127P-100-H or B127P-100-H-SR remote receiver unit.
7. Repeat step 6 for each additional remote unit being connected.
8. Using an HDMI 2.0 cable (such as Tripp Lite P569-XXX-CERT or P568-XXX-2A Series cables), connect the B127P-100-H or B127P-100-H-SR to a display.
9. Repeat step 8 for each additional monitor you are connecting to a remote receiver unit.
10. Turn on the power to all your connected displays.
11. Connect the external power supply to the local transmitter unit and plug it into an available wall outlet or (optional) a Tripp Lite Surge Protector, Power Distribution Unit (PDU) or Uninterruptible Power Supply (UPS). The POWER (green) LED will illuminate to indicate the unit is receiving power from the external power supply.

## Extender/Splitter Daisy-Chain Installation

12. Repeat step 11 for each additional B127P-004-H unit in the daisy chain.
13. **B127P-100-H and B127P-100-H-SR:** The green and orange LEDs will illuminate, with the green LED indicating the unit is receiving power from the extender/splitter, and the orange LED indicating the unit is connected to a powered ON local unit via Cat6 cable.
14. Turn on the power to the HDMI source. The orange RJ45 LEDs will illuminate on the B127P-004-H to indicate the unit is receiving a signal from the source. The screen should now display on the connected monitors.

## Troubleshooting

1. Using a splitter, if one display's color is abnormal, set the player's deep color setting to "turn off."
2. When source is 4K/60 4:2:2 HDR, the output can't display 1080p/60Hz quality.

If unable to receive an acceptable image after following the installation instructions, try the following troubleshooting tips:

### Resolution Comparison Tables

|                           |             | Port | Connect TV | Real Resolution |
|---------------------------|-------------|------|------------|-----------------|
| <b>SOURCE<br/>4K/60Hz</b> | Situation 1 | 1    | 4K/60Hz    | 4K/60Hz         |
|                           |             | 2-4  | 4K/60Hz    | 4K/60Hz         |
|                           | Situation 2 | 1    | 4K/60Hz    | 4K/60Hz         |
|                           |             | 2-4  | 4K/30Hz    | 1080p/60Hz      |
|                           | Situation 3 | 1    | 4K/60Hz    | 4K/60Hz         |
|                           |             | 2-4  | 1080p/60Hz | 1080p/60Hz      |
|                           | Situation 4 | 1    | 4K/30Hz    | 4K/30Hz         |
|                           |             | 2-4  | 4K/30Hz    | 4K/30Hz         |
|                           | Situation 5 | 1    | 4K/30Hz    | 4K/30Hz         |
|                           |             | 2-4  | 1080p/60Hz | 1080p/60Hz      |
|                           | Situation 6 | 1    | 1080p/60Hz | 1080p/60Hz      |
|                           |             | 2-4  | 1080p/60Hz | 1080p/60Hz      |

## Troubleshooting

|                           |             | Port | Connect TV | Real Resolution |
|---------------------------|-------------|------|------------|-----------------|
| <b>SOURCE<br/>4K/30Hz</b> | Situation 1 | 1    | 4K/60Hz    | 4K/30Hz         |
|                           |             | 2-4  | 4K/60Hz    | 4K/30Hz         |
|                           | Situation 2 | 1    | 4K/60Hz    | 4K/30Hz         |
|                           |             | 2-4  | 4K/30Hz    | 4K/30Hz         |
|                           | Situation 3 | 1    | 4K/60Hz    | 4K/30Hz         |
|                           |             | 2-4  | 1080p/60Hz | 1080p/60Hz      |
|                           | Situation 4 | 1    | 4K/30Hz    | 4K/30Hz         |
|                           |             | 2-4  | 4K/30Hz    | 4K/30Hz         |
|                           | Situation 5 | 1    | 4K/30Hz    | 4K/30Hz         |
|                           |             | 2-4  | 1080p/60Hz | 1080p/30Hz      |
|                           | Situation 6 | 1    | 1080p/60Hz | 1080p/60Hz      |
|                           |             | 2-4  | 1080p/60Hz | 1080p/60Hz      |

|                              |             | Port | Connect TV | Real Resolution |
|------------------------------|-------------|------|------------|-----------------|
| <b>SOURCE<br/>1080P/60Hz</b> | Situation 1 | 1    | 4K/60Hz    | 1080p/60Hz      |
|                              |             | 2-4  | 4K/60Hz    | 1080p/60Hz      |
|                              | Situation 2 | 1    | 4K/60Hz    | 1080p/60Hz      |
|                              |             | 2-4  | 4K/30Hz    | 1080p/60Hz      |
|                              | Situation 3 | 1    | 4K/60Hz    | 1080p/60Hz      |
|                              |             | 2-4  | 1080p/60Hz | 1080p/60Hz      |
|                              | Situation 4 | 1    | 4K/30Hz    | 1080p/60Hz      |
|                              |             | 2-4  | 4K/30Hz    | 1080p/60Hz      |
|                              | Situation 5 | 1    | 4K/30Hz    | 1080p/60Hz      |
|                              |             | 2-4  | 1080p/60Hz | 1080p/30Hz      |
|                              | Situation 6 | 1    | 1080p/60Hz | 1080p/60Hz      |
|                              |             | 2-4  | 1080p/60Hz | 1080p/60Hz      |

# Warranty and Product Registration

## 1-Year Limited Warranty

TRIPP LITE warrants its products to be free from defects in materials and workmanship for a period of one (1) year from the date of initial purchase. TRIPP LITE's obligation under this warranty is limited to repairing or replacing (at its sole option) any such defective products. To obtain service under this warranty, you must obtain a Returned Material Authorization (RMA) number from TRIPP LITE or an authorized TRIPP LITE service center. Products must be returned to TRIPP LITE or an authorized TRIPP LITE service center with transportation charges prepaid and must be accompanied by a brief description of the problem encountered and proof of date and place of purchase. This warranty does not apply to equipment which has been damaged by accident, negligence or misapplication or has been altered or modified in any way.

EXCEPT AS PROVIDED HEREIN, TRIPP LITE MAKES NO WARRANTIES, EXPRESS OR IMPLIED, INCLUDING WARRANTIES OF MERCHANTABILITY AND FITNESS FOR A PARTICULAR PURPOSE. Some states do not permit limitation or exclusion of implied warranties; therefore, the aforesaid limitation(s) or exclusion(s) may not apply to the purchaser.

EXCEPT AS PROVIDED ABOVE, IN NO EVENT WILL TRIPP LITE BE LIABLE FOR DIRECT, INDIRECT, SPECIAL, INCIDENTAL OR CONSEQUENTIAL DAMAGES ARISING OUT OF THE USE OF THIS PRODUCT, EVEN IF ADVISED OF THE POSSIBILITY OF SUCH DAMAGE. Specifically, TRIPP LITE is not liable for any costs, such as lost profits or revenue, loss of equipment, loss of use of equipment, loss of software, loss of data, costs of substitutes, claims by third parties, or otherwise.

## PRODUCT REGISTRATION

Visit [tripplite.com/warranty](http://tripplite.com/warranty) today to register your new Tripp Lite product. You'll be automatically entered into a drawing for a chance to win a FREE Tripp Lite product!\*

\* No purchase necessary. Void where prohibited. Some restrictions apply. See website for details.

## Warranty and Product Registration

### WEEE Compliance Information for Tripp Lite Customers and Recyclers (European Union)



Under the Waste Electrical and Electronic Equipment (WEEE) Directive and implementing regulations, when customers buy new electrical and electronic equipment from Tripp Lite they are entitled to:

- Send old equipment for recycling on a one-for-one, like-for-like basis (this varies depending on the country)
- Send the new equipment back for recycling when this ultimately becomes waste

### WARNING

Use of this equipment in life support applications where failure of this equipment can reasonably be expected to cause the failure of the life support equipment or to significantly affect its safety or effectiveness is not recommended.

Tripp Lite has a policy of continuous improvement. Specifications are subject to change without notice. Photos and illustrations may differ slightly from actual products.



1111 W. 35th Street, Chicago, IL 60609 USA • [triplite.com/support](http://triplite.com/support)



# Manual del Propietario

## Extensores y Divisores HDMI 4K / 60 sobre Cat6, Soporte de Función de Resolución Múltiple

Modelos de Unidad Local: B127P-002-H, B127P-004-H

Modelos de Unidad Remota: B127P-100-H, B127P-100-H-SR

English 1 • Français 33 • Русский 49



1111 W. 35th Street, Chicago, IL 60609 EE. UU. • [triplite.com/support](http://triplite.com/support)

Copyright © 2019 Tripp Lite. Todos los derechos reservados.

## Contenido del Empaque

|  | <b>B127P-002-H</b> | <b>B127P-004-H</b> | <b>B127P-100-H</b> | <b>B127P-100-H-SR</b> |
|--|--------------------|--------------------|--------------------|-----------------------|
| Unidad Local (L) o Unidad Remota (R)     | L                  | L                  | R                  | R                     |
| Fuentes de Alimentación Externas (0 o 1) | 1                  | 1                  | 0                  | 0                     |
| Accesorios de instalación                | Y                  | Y                  | Y                  | N                     |

## Características del Producto

### Todas

- Soportan una resolución de video de 4K (3840 x 2160) @ 60 Hz con Submuestreo de Croma 4:4:4
- Soporta audio de sonido envolvente de hasta 7.1 canales
- Compatible con HDMI 2.0, HDCP 2.2 y HDR
- Conectar y Usar—No requiere software ni controladores

## Características del Producto

### **B127P-002-H**

- Unidad Transmisora Local Extensor Divisor HDMI sobre Cat6 de 2 Puertos
- Divide una señal HDMI en dos
- Trabaja en tándem con las unidades receptoras B127P-100-H y B127P-100-H-SR para extender una señal HDMI
- Función de Energía por Cable (PoC) para transferir energía a receptores remotos
- Soporta señales de 4K (3840 x 2160) a 60 Hz y de 1080 a 60 Hz
- La función de resolución múltiple permite que pantallas con diferentes resoluciones coexistan en una única aplicación sin degradar la calidad de señal a la menor resolución
- Incluye los accesorios de instalación que permiten que la unidad sea instalada en rack, en la pared o en poste.

### **B127P-004-H**

- Unidad Transmisora Local Extensor Divisor HDMI sobre Cat6 de 4 Puertos
- Divide una señal HDMI en cuatro
- Trabaja en tándem con las unidades receptoras B127P-100-H y B127P-100-H-SR para extender una señal HDMI
- Función de Energía por Cable (PoC) para transferir energía a receptores remotos
- Soporta señales de 4K (3840 x 2160) a 60 Hz y de 1080 a 60 Hz
- La función de resolución múltiple permite que pantallas con diferentes resoluciones coexistan en una única aplicación sin degradar la calidad de señal a la menor resolución
- Incluye un puerto HDMI adicional que puede utilizarse para conectar un monitor local o unidades B127P-004-H adicionales en cadena (pueden encadenarse hasta tres unidades juntas)
- Incluye los accesorios de instalación que permiten que la unidad sea instalada en rack, en la pared o en poste.

## Características del Producto

### **B127P-100-H**

- Unidad Receptora Remota con Energía por Cable (PoC) HDMI sobre Cat6
- Trabaja con los Extensores Divisores B127P-002-H y B127P-004-H para extender una señal 4K / 60Hz hasta a 38 m [125 pies] de la fuente
- Control de ecualización incorporado para ajuste automático de imagen de video
- Soporta señales de 4K (3840 x 2160) a 60 Hz y de 1080 a 60 Hz
- La función de resolución múltiple permite que pantallas con diferentes resoluciones coexistan en una única aplicación sin degradar la calidad de señal a la menor resolución
- Incluye los accesorios de instalación que permiten que la unidad sea instalada en rack, en la pared o en poste.

### **B127P-100-H-SR**

- Unidad Receptora Remota de Corta Distancia con Energía por Cable (PoC) HDMI sobre Cat6
- Trabaja con los Extensores y Divisores B127P-002-H y B127P-004-H para extender una señal 4K / 60Hz hasta a 38 m [125 pies] de la fuente
- Control de ecualización incorporado para ajuste automático de imagen de video
- Soporta señales de 4K (3840 x 2160) a 60 Hz y de 1080 a 60 Hz
- La función de resolución múltiple permite que pantallas con diferentes resoluciones coexistan en una única aplicación sin degradar la calidad de señal a la menor resolución
- El cable flexible de 15.2 cm [6"] HDMI se conecta directamente al puerto HDMI en la pantalla

## Características del Producto

### Accesorios Opcionales:

- Cables Patch de Alambre Sólido 24 AWG Cat6 Serie N202
- Cables HDMI 2.0 de Alta Velocidad Serie P569-XXX-CERT o P568-XXX-2A

## Limitación de Responsabilidad

Antes de la instalación, compruebe los siguientes ajustes de su(s) fuente(s) y TV o Monitor(es):

1. Configure para visualizar 60 Hz. Cerciórese de la configuración de fábrica, ya que como valor predeterminado puede estar configurado para una frecuencia (Hz) menor que la anunciada.
2. Asegurarse de que el valor de entrada de su monitor esté configurado a HDMI 2.0. Algunas pantallas pueden tener una configuración predeterminada a HDMI 1.4
3. Verifique que su monitor tenga habilitada la función HDR. Algunas pantallas pueden tener esta función deshabilitada como configuración de fábrica.
4. Verifique que la Configuración de Color Verdadero Ultra HD [UHD] está habilitada en su TV o Monitor. Confirme con el fabricante de su TV o Monitor qué puertos HDMI soportan Color Verdadero UHD.

**Nota:** Si desea conectar un monitor local a su instalación, dependiendo del fabricante o modelo de su TV o monitor, puede ser necesario deshabilitar el ajuste de color verdadero UHD en su TV o monitor local para lograr la resolución 4K 60Hz.

## Instrucciones de Instalación (modelos selectos solamente)

El B127P-002-H, B127P-004-H y B127P-100-H incluyen accesorios de instalación que permiten una variedad de métodos de montaje.

Las siguientes imágenes ilustran cómo pueden fijarse los soportes de instalación incluidos para las diferentes instalaciones.

**Nota:** El modelo mostrado en las imágenes de abajo es solo para fines ilustrativos. El producto puede variar según el número de modelo, tamaño u orientación de puerto. The mounting options for all over-IP units are the same.

### Instalación en la Pared



### Instalación en rack de 19"



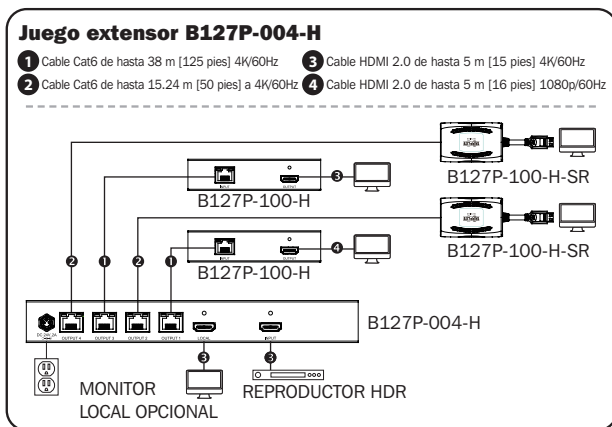
### Instalación en poste



## Instalación Estándar del Juego Extensor Divisor

### Notas:

- 1) Pruebe para asegurarse de que toda la instalación trabaje correctamente antes de jalar los cables a través de techos y paredes.
- 2) Para conseguir la distancia y rendimiento máximos, use un cable Cat6 con conductores de alambre sólido 24 AWG. El uso de cable Cat6 de alambre trenzado o cable con un número de calibre (AWG) mayor como 26 AWG, resultará en una distancia de extensión más corta ya que el cable tendrá una capacidad de transmisión más limitada. Todos los cables Cat6 de la Serie N202 de Tripp Lite están hechos con cableado de alambre sólido 24 AWG.
- 3) El diagrama de instalación muestra la unidad transmisora local B127P-004-H. La instalación del B127P-002-H es la misma, excepto solo hay dos puertos remotos y no hay puerto de monitor local.
- 4) No se requiere energía externa en las unidades B127P-100-H y B127P-100-H-SR debido a la tecnología de Energía por Cable (PoC) incorporada en las unidades transmisoras.



## Instalación Estándar del Juego Extensor Divisor

1. Asegúrese de que todos los equipos en la instalación—como TVs, reproductores Blu-ray y el transmisor—estén apagado.
2. Con un cable HDMI 2.0 (como los cables de la Serie P569-XXX-CERT o P568-XXX-2A de Tripp Lite), conecte la fuente HDMI al puerto de ENTRADA en las unidades B127P-002-H o B127P-004-H.
3. **Opcional para el B127P-004-H:** Con un cable HDMI 2.0 (como los cables de la Serie P569-XXX-CERT o P568-XXX-2A de Tripp Lite), conecte un monitor HDMI al puerto LOCAL en la unidad B127P-004-H.
4. Usando cable Cat6, conecte el puerto RJ45 en la unidad transmisora local al puerto RJ45 en la unidad receptora remota.
5. Repita el paso 4 para cada unidad remota adicional que se conecte.
6. Con un cable HDMI 2.0 (como los cables Serie P569-XXX-CERT o P568-XXX-2A de Tripp Lite), conecte la unidad receptora remota del puerto HDMI a un monitor.
7. Encienda sus televisores y monitores conectados. El LED LOCAL (naranja) se iluminará para indicar que Puerto local ha sido conectado a una pantalla.
8. Conecte la fuente de alimentación externa a la unidad transmisora local y enchúfela en un tomacorrientes de pared (opcional), un Supresor de Sobretensiones, Unidad de Distribución de Energía [PDU] o Sistema de Respaldo Ininterrumpible [UPS] de Tripp Lite. El LED POWER (verde) en la unidad transmisora local se iluminará para indicar que la unidad está recibiendo energía de la fuente de alimentación externa. El LED POWER (verde) en la unidad receptora remota se iluminará para indicar que la unidad está recibiendo energía de la unidad transmisora local a través de una tecnología PoC.
9. Encienda la fuente de HDMI. El LED OUTPUT (naranja) en la unidad transmisora local se ilumina para indicar que está recibiendo una señal de la fuente. Además, el LED OUTPUT (naranja) se iluminará para cada conexión de señal de puerto.



## Instalación Estándar del Juego Extensor Divisor

10. El LED RJ45 (naranja) encenderá en las unidades transmisora local y receptora remota para indicar que se está recibiendo una señal de la fuente a la pantalla. Ahora se debe mostrar la pantalla en el(los) monitor(es) conectado(s).

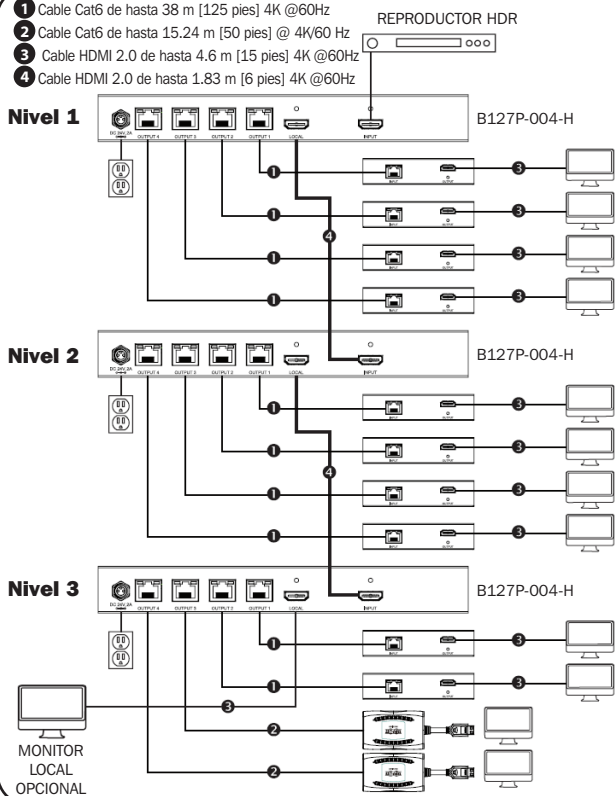
## Instalación en Cadena del Extensor / Divisor

### Notas:

- 1) *Haga pruebas para asegurar que toda la instalación trabaje correctamente antes de tender los cables a través de techos y paredes.*
- 2) *Para conseguir la distancia y rendimiento máximos, use un cable Cat6 con conductores de alambre sólido 24 AWG. El uso de cable Cat6 de alambre trenzado o cable con un número de calibre (AWG) mayor como 26 AWG, resultará en una distancia de extensión más corta ya que el cable tendrá una capacidad de transmisión más limitada. Todos los cables Cat6 de la Serie N202 de Tripp Lite están hechos con cableado de alambre sólido 24 AWG.*
- 3) *Con el B127P-100-H, una señal 4K/60 Hz puede extenderse hasta a 38 m [125 pies] de la fuente. Con un B127P-100-H-SR, una señal 4K / 60Hz se puede extender hasta 15 m [50 pies] de la fuente.*

# Instalación en Cadena del Extensor / Divisor

- 1 Cable Cat6 de hasta 38 m [125 pies] 4K @60Hz
- 2 Cable Cat6 de hasta 15.24 m [50 pies] @ 4K/60 Hz
- 3 Cable HDMI 2.0 de hasta 4.6 m [15 pies] 4K @60Hz
- 4 Cable HDMI 2.0 de hasta 1.83 m [6 pies] 4K @60Hz



## Instalación en Cadena del Extensor / Divisor

1. Asegúrese de que todos los equipos en la instalación—como TVs, reproductores Blu-ray y el transmisor—estén apagado.
2. Con un cable HDMI 2.0 (como los cables de la serie P569-XXX-CERT o P568-XXX-2A de Tripp Lite), conecte la fuente de HDMI al puerto de ENTRADA en la unidad B127P-004-H.
3. Con un cable HDMI 2.0 de 1.83 m [6 pies] (como los cables P569-006-CERT o P568-006-2A de Tripp Lite), conecte el puerto LOCAL en el B127P-004-H al puerto de ENTRADA en la unidad B127P-004-H.
4. Repita el paso 3 si está conectando un tercer B127P-004-H.  
*Nota: Solo tres niveles de divisores pueden ser conectados en cascada.*
5. **Opcional:** Con un cable HDMI 2.0 (como los cables de la Serie P569-XXX-CERT o P568-XXX-2A de Tripp Lite), conecte un monitor local al puerto HDMI LOCAL en la unidad B127P-004-H en la instalación.
6. Con un cable Cat6, conecte uno de los puertos de salida RJ45 en la unidad transmisora local al puerto de entrada RJ45 en una unidad receptora remota B127P-100-H o B127P-100-H-SR.
7. Repita el paso 6 para cada unidad remota adicional que se conecte.
8. Con un cable HDMI 2.0 (como los cables Serie P569-XXX-CERT o P568-XXX-2A de Tripp Lite), conecte el B127P-100-H o B127P-100-H-SR a una pantalla.
9. Repita el paso 8 para cada monitor adicional que esté conectando a la unidad receptora remota.
10. Encienda todas sus pantallas conectadas.

## Instalación en Cadena del Extensor / Divisor

- 11.** Conecte la fuente de alimentación externa a la unidad transmisora local y enchúfela en un tomacorrientes de pared (opcional), un Supresor de Sobretensiones, Unidad de Distribución de Energía [PDU] o Sistema de Respaldo Ininterrumpible [UPS] de Tripp Lite. El LED POWER (Verde) se iluminará para indicar que la unidad está recibiendo energía de la fuente de alimentación externa.
- 12.** Repita el paso 11 para cada unidad B127P-004-H adicional en la cadena.
- 13. B127P-100-H y B127P-100-H-SR:** Se iluminan los LEDs verde y naranja, con el LED verde indicando que la unidad está recibiendo energía del Extensor Divisor y el LED naranja indicando que la unidad está conectada a una unidad local encendida mediante el cable Cat6.
- 14.** Encienda la fuente de HDMI. Los LEDs RJ45 (naranja) en el B127P-004-H se iluminarán para indicar que están recibiendo una señal de la fuente. Ahora debe mostrar en la pantalla en los monitores conectados.

## Solución de Problemas

- Mediante el uso de un divisor, si un color de la pantalla es anormal, establezca la configuración de color verdadero del jugador a “Desactivar”.
- Cuando el origen es 4K/60 4:2:2 HDR, la salida no puede visualizar la calidad 1080p/60Hz.

Si no puede recibir una imagen aceptable después de seguir las instrucciones de instalación, pruebe los siguientes consejos:

### Tablas de Comparación de Resolución

|                           |             | Puerto | Conecte la TV | Resolución Real |
|---------------------------|-------------|--------|---------------|-----------------|
| <b>ORIGEN<br/>4K/60Hz</b> | Situación 1 | 1      | 4K/60Hz       | 4K/60Hz         |
|                           |             | 2-4    | 4K/60Hz       | 4K/60Hz         |
|                           | Situación 2 | 1      | 4K/60Hz       | 4K/60Hz         |
|                           |             | 2-4    | 4K/30Hz       | 1080p/60Hz      |
|                           | Situación 3 | 1      | 4K/60Hz       | 4K/60Hz         |
|                           |             | 2-4    | 1080p/60Hz    | 1080p/60Hz      |
|                           | Situación 4 | 1      | 4K/30Hz       | 4K/30Hz         |
|                           |             | 2-4    | 4K/30Hz       | 4K/30Hz         |
|                           | Situación 5 | 1      | 4K/30Hz       | 4K/30Hz         |
|                           |             | 2-4    | 1080p/60Hz    | 1080p/60Hz      |
|                           | Situación 6 | 1      | 1080p/60Hz    | 1080p/60Hz      |
|                           |             | 2-4    | 1080p/60Hz    | 1080p/60Hz      |

## Solución de Problemas

|                           |             | Puerto | Conecte la TV | Resolución Real |
|---------------------------|-------------|--------|---------------|-----------------|
| <b>FUENTE<br/>4K/30Hz</b> | Situación 1 | 1      | 4K/60Hz       | 4K/30Hz         |
|                           |             | 2-4    | 4K/60Hz       | 4K/30Hz         |
|                           | Situación 2 | 1      | 4K/60Hz       | 4K/30Hz         |
|                           |             | 2-4    | 4K/30Hz       | 4K/30Hz         |
|                           | Situación 3 | 1      | 4K/60Hz       | 4K/30Hz         |
|                           |             | 2-4    | 1080p/60Hz    | 1080p/60Hz      |
|                           | Situación 4 | 1      | 4K/30Hz       | 4K/30Hz         |
|                           |             | 2-4    | 4K/30Hz       | 4K/30Hz         |
|                           | Situación 5 | 1      | 4K/30Hz       | 4K/30Hz         |
|                           |             | 2-4    | 1080p/60Hz    | 1080p/30Hz      |
|                           | Situación 6 | 1      | 1080p/60Hz    | 1080p/60Hz      |
|                           |             | 2-4    | 1080p/60Hz    | 1080p/60Hz      |

|                              |             | Puerto | Conecte la TV | Resolución Real |
|------------------------------|-------------|--------|---------------|-----------------|
| <b>FUENTE<br/>1080p/60Hz</b> | Situación 1 | 1      | 4K/60Hz       | 1080p/60Hz      |
|                              |             | 2-4    | 4K/60Hz       | 1080p/60Hz      |
|                              | Situación 2 | 1      | 4K/60Hz       | 1080p/60Hz      |
|                              |             | 2-4    | 4K/30Hz       | 1080p/60Hz      |
|                              | Situación 3 | 1      | 4K/60Hz       | 1080p/60Hz      |
|                              |             | 2-4    | 1080p/60Hz    | 1080p/60Hz      |
|                              | Situación 4 | 1      | 4K/30Hz       | 1080p/60Hz      |
|                              |             | 2-4    | 4K/30Hz       | 1080p/60Hz      |
|                              | Situación 5 | 1      | 4K/30Hz       | 1080p/60Hz      |
|                              |             | 2-4    | 1080p/60Hz    | 1080p/30Hz      |
|                              | Situación 6 | 1      | 1080p/60Hz    | 1080p/60Hz      |
|                              |             | 2-4    | 1080p/60Hz    | 1080p/60Hz      |

# Garantía

## Garantía Limitada por 1 Año

TRIPP LITE garantiza por un (1) año desde la fecha de compra inicial que este producto no tiene defectos de materiales ni de mano de obra.

La obligación de TRIPP LITE bajo esta garantía está limitada a la reparación o reemplazo (A su entera discreción) de cualquier producto defectuoso. Para obtener servicio bajo esta garantía, debe obtener un número de Autorización de Devolución de Mercancía [RMA] de TRIPP LITE o de un centro de servicio autorizado de TRIPP LITE. Los productos deben ser regresados a TRIPP LITE o a un centro de servicio autorizado de TRIPP LITE con los cargos de transporte prepagados y deben acompañarse con una breve descripción del problema y un comprobante de la fecha y el lugar de compra. Esta garantía no se aplica a equipos que hayan sido dañados por accidente, negligencia o mal uso, o hayan sido alterados o modificados de alguna manera.

EXCEPTO COMO SE INDICA EN EL PRESENTE, TRIPP LITE NO HACE GARANTÍAS EXPRESAS O IMPLÍCITAS, INCLUIDAS GARANTÍAS DE COMERCIABILIDAD Y ADECUACIÓN PARA UN PROPÓSITO PARTICULAR. Algunos estados no permiten la limitación o exclusión de garantías implícitas; por lo tanto, las limitaciones o exclusiones antes mencionadas pueden no aplicarse al comprador.

SALVO POR LO INDICADO ANTERIORMENTE, EN NINGÚN CASO TRIPP LITE ASUMIRÁ RESPONSABILIDAD POR DAÑOS DIRECTOS, INDIRECTOS, ESPECIALES, INCIDENTALES O EMERGENTES QUE SURJAN COMO RESULTADO DEL USO DE ESTE PRODUCTO, INCLUSO SI SE ADVIERTE SOBRE LA POSIBILIDAD DE TAL DAÑO. Específicamente, TRIPP LITE no es responsable por ningún costo, como pérdida de ganancias o ingresos, pérdida de equipos, pérdida del uso de equipos, pérdida de software, pérdida de datos, costos de sustituciones, reclamaciones de terceros o de cualquier otra forma.

## Garantía

### Información de Cumplimiento con WEEE para los Clientes y Recicladores de Tripp Lite (Unión Europea)



Conforme a la Directiva de Desechos de Equipos Eléctricos y Electrónicos [WEEE] y regulaciones aplicables, cuando los clientes adquieren un nuevo equipo eléctrico y electrónico de Tripp Lite están obligados a:

- Enviar para reciclaje equipos viejos del mismo tipo y en la misma cantidad (esto varía de un país a otro)
- Devolver el equipo nuevo para reciclaje una vez que finalmente sea un desecho

### ADVERTENCIA

No se recomienda el uso de este equipo en aplicaciones de soporte de vida en donde razonablemente se pueda esperar que la falla de este equipo cause la falla del equipo de soporte de vida o afectar significativamente su seguridad o efectividad.

Tripp Lite tiene una política de mejora continua. Las especificaciones están sujetas a cambio sin previo aviso. Las fotografías e ilustraciones pueden diferir ligeramente de los productos reales.



Excelencia en  
Manufactura.

1111 W. 35th Street, Chicago, IL 60609 EE. UU. • [tripplite.com/support](http://tripplite.com/support)



# Manuel de l'utilisateur

## Prolongateurs 4K/60 HDMI sur Cat6 et coupleurs, support de fonction multi-résolution

Modèles d'appareil local : B127P-002-H, B127P-004-H

Modèles d'appareil à distance : B127P-100-H, B127P-100-H-SR

English 1 • Español 17 • Русский 49



1111 W. 35th Street, Chicago, IL 60609 USA • [triplite.com/support](http://triplite.com/support)

Droits d'auteur © 2019 Tripp Lite. Tous droits réservés.

## Contenu de l'emballage

|   | B127P-002-H | B127P-004-H | B127P-100-H | B127P-100-H-SR |
|---|-------------|-------------|-------------|----------------|
| Appareil local (L) ou appareil à distance (R) | L           | L           | R           | R              |
| Alimentations externes (0 ou 1)               | 1           | 1           | 0           | 0              |
| Quincaillerie de montage                      | 0           | 0           | 0           | N              |

## Caractéristiques du produit

### Tout

- Prend en charge la résolution vidéo maximale de 4K (3 840 x 2 160) @ 60 Hz avec sous-échantillonnage de la chrominance 4:4:4
- Prend en charge les systèmes ambiophoniques jusqu'à 7.1 canaux
- Compatible HDMI 2.0, HDCP 2.2 et HDR
- Prêt à l'emploi; aucun logiciel ou lecteur requis

### B127P-002-H

- Transmetteur local du prolongateur/coupleur à 2 ports HDMI sur Cat6
- Divise un signal HDMI en deux
- Fonctionne en association avec les récepteurs B127P-100-H et B127P-100-H-SR de Tripp Lite pour prolonger un signal HDMI
- Fonction d'alimentation par câble (PoC) pour transférer l'alimentation vers les récepteurs à distance

## Caractéristiques du produit

- Prend en charge 4K (3 840 x 2 160) @ 60 Hz et des signaux 1 080 @ 60 Hz
- La fonction multirésolution permet à des écrans avec différentes résolutions de coexister dans une seule application sans réduire la qualité du signal à la résolution la plus faible
- Inclut la quincaillerie de montage qui permet à l'appareil d'être installé au mur, monté dans un bâti ou sur un poteau

### **B127P-004-H**

- Transmetteur local du prolongateur/coupleur à 4 ports HDMI sur Cat6
- Divise un signal HDMI en quatre
- Fonctionne en association avec les récepteurs B127P-100-H et B127P-100-H-SR de Tripp Lite pour prolonger un signal HDMI
- Fonction d'alimentation par câble (PoC) pour transférer l'alimentation vers les récepteurs à distance
- Prend en charge 4K (3 840 x 2 160) @ 60 Hz et des signaux 1 080 @ 60 Hz
- La fonction multirésolution permet à des écrans avec différentes résolutions de coexister dans une seule application sans réduire la qualité du signal à la résolution la plus faible
- Inclut un port HDMI supplémentaire qui peut être utilisé pour raccorder un moniteur local à des appareils B127P-004-H en guirlande supplémentaires (jusqu'à trois appareils peuvent être connectés ensemble en guirlande)
- Inclut la quincaillerie de montage qui permet à l'appareil d'être installé au mur, monté dans un bâti ou sur un poteau

## Caractéristiques du produit

### **B127P-100-H**

- Récepteur à distance à alimentation par câble (PoC) HDMI sur Cat6
- Fonctionne avec les prolongateurs/coupleurs B127P-002-H et B127P-004-H pour prolonger un signal de 4K/60 Hz jusqu'à 38 m (125 pi) de la source
- Égalisateur intégré pour l'ajustement automatique de l'image vidéo
- Prend en charge 4K (3 840 x 2 160) @ 60 Hz et des signaux 1 080 @ 60 Hz
- La fonction multirésolution permet à des écrans avec différentes résolutions de coexister dans une seule application sans réduire la qualité du signal à la résolution la plus faible
- Inclut la quincaillerie de montage qui permet à l'appareil d'être installé au mur, monté dans un bâti ou sur un poteau

### **B127P-100-H-SR**

- Récepteur à distance sur une courte distance d'alimentation par câble (PoC) HDMI sur Cat6
- Fonctionne avec les prolongateurs/coupleurs B127P-002-H et B127P-004-H pour prolonger un signal de 4K/60 Hz jusqu'à 15 m (50 pi) de la source
- Égalisateur intégré pour l'ajustement automatique de l'image vidéo
- Prend en charge 4K (3 840 x 2 160) @ 60 Hz et des signaux 1 080 @ 60 Hz
- La fonction multirésolution permet à des écrans avec différentes résolutions de coexister dans une seule application sans réduire la qualité du signal à la résolution la plus faible
- Intégré à 15,24 cm (6 po) Le câble à queue de cochon HDMI se connecte directement au port HDMI de l'écran

## Caractéristiques du produit

### Accessoires en option :

- Cordons de raccordement à fils rigides 24 AWG Cat6 de série N202
- Câbles HDMI 2.0 haute vitesse de la série P569-XXX-CERT ou P568-XXX-2A

## Clause de non-responsabilité

Avant l'installation, vérifier les paramètres suivants de la ou des sources et de la télévision/du ou des moniteurs :

1. Configurer pour afficher 60 Hz. Révérer les réglages de l'usine, car ils peuvent être configurés par défaut à une fréquence moindre (Hz) que celle annoncée.
2. S'assurer que le réglage d'entrée du moniteur est configuré à HDMI 2.0. Certains écrans peuvent avoir un réglage par défaut configuré à HDMI 1.4.
3. Vérifier que la fonctionnalité HDR du moniteur est activée. Cette fonctionnalité peut être désactivée comme paramètre d'usine pour certains écrans.
4. Vérifier si le réglage Ultra HD (UHD) Deep Color (couleur foncée ultra-haute définition) est activé sur la télévision/le moniteur. Confirmer avec le fabricant de la télévision/du moniteur quels ports HDMI prennent en charge UHD Deep Color (couleur foncée ultra-haute définition).

**Remarque :** Si l'utilisateur souhaite raccorder un moniteur local à l'installation, selon la marque/le modèle de la télévision/du moniteur, le réglage UHD Deep Color peut devoir être désactivé sur la télévision/le moniteur pour obtenir une résolution de 4K 60 Hz.

## Instructions de montage (certains modèles seulement)

Le B127P-002-H, B127P-004-H et B127P-100-H incluent la quincaillerie de montage qui permet différentes méthodes de montage. Les images suivantes illustrent comment les supports de montage inclus peuvent être fixés pour différentes installations.

**Remarque :** Le modèle illustré sur les images ci-dessous est pour des fins d'illustration uniquement. Le produit peut varier selon le numéro de modèle, la taille ou l'orientation des ports. Les options de montage pour tous les appareils sur IP sont les mêmes.

### Montage mural



### Montage en bâti de 48,3 cm (19 po)



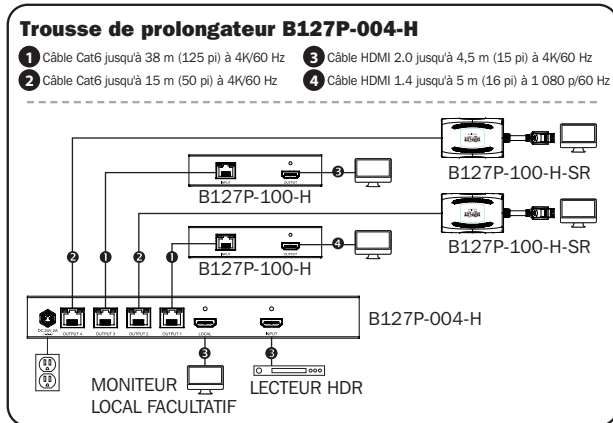
### Montage sur poteau



## Installation d'un prolongateur/coupleur standard

### Remarques :

- 1) Effectuer un essai pour s'assurer que l'ensemble de l'installation fonctionne correctement avant de tirer les câbles à travers les plafonds/murs.
- 2) Pour obtenir la distance et la performance maximales, utiliser un câble Cat6 à fils rigides 24 AWG. L'utilisation d'un câble à fils à toron Cat6 ou d'un câble dont le calibre (AWG) est supérieur à 26 AWG donnera lieu à une distance d'extension plus courte étant donné que le câble aura une capacité de transmission plus limitée. Tous les câbles Cat6 de la série N202 Tripp Lite sont faits de câblage à fils rigides de 24 AWG.
- 3) Le schéma d'installation illustre le transmetteur local B127P-004-H. L'installation du B127P-002-H est la même, sauf qu'il y a seulement deux ports à distance et aucun port de moniteur local.
- 4) Aucune alimentation externe n'est requise pour les appareils B127P-100-H et B127P-100-H-SR en raison de la technologie alimentation par câble (PoC) incorporée au transmetteur.



## Installation d'un prolongateur/coupleur standard

1. S'assurer que tout l'équipement de l'installation — comme les télévisions, les lecteurs Blu-ray et le transmetteur — est hors tension.
2. À l'aide d'un câble HDMI 2.0 (comme les câbles de la série P569-XXX-CERT ou P568-XXX-2A de Tripp Lite), raccorder la source HDMI au port INPUT (entrée) sur les appareils B127P-002-H ou B127P-004-H.
3. **Facultatif pour B127P-004-H** : à l'aide d'un câble HDMI 2.0 (comme les câbles de la série P569-XXX-CERT ou P568-XXX-2A de Tripp Lite), raccorder un moniteur HDMI au port LOCAL sur l'appareil B127P-004-H.
4. À l'aide d'un câble Cat6, raccorder le port RJ45 sur le transmetteur local au port RJ45 sur le récepteur à distance.
5. Répéter l'étape 4 pour chaque appareil à distance supplémentaire raccordé.
6. À l'aide d'un câble HDMI 2.0 (comme les câbles de la série P569-XXX-CERT ou P568-XXX-2A de Tripp Lite), raccorder le port HDMI du récepteur à distance à un moniteur.
7. Mettre les téléviseurs/moniteurs connectés sous tension. Le voyant à DEL LOCAL (orange) s'allumera pour indiquer que le port local a été connecté à un écran.
8. Brancher l'alimentation externe au transmetteur local et le brancher à une prise murale disponible ou (facultatif) à un parasurtenseur, une unité de distribution de puissance (PDU) ou un onduleur Tripp Lite. Le voyant à DEL POWER (alimentation) (vert) sur le transmetteur local s'allumera pour indiquer que l'appareil est alimenté par l'alimentation externe. Le voyant à DEL POWER (alimentation) (vert) sur le récepteur à distance s'allumera pour indiquer que l'appareil est alimenté par le transmetteur local par le biais de la technologie PoC.



## Installation d'un prolongateur/coupleur standard

9. Mettre la source HDMI sous tension. Le voyant à DEL OUTPUT (sortie) (orange) sur le transmetteur local s'allume pour indiquer qu'un signal est reçu de la source. De plus, le voyant à DEL OUTPUT (sortie) s'allumera pour la connexion du signal de chaque port.
10. Le voyant à DEL RJ45 (orange) s'allumera sur le transmetteur local et le récepteur à distance pour indiquer qu'un signal est reçu de la source vers l'écran. L'écran devrait maintenant s'afficher sur le ou les moniteurs connectés.

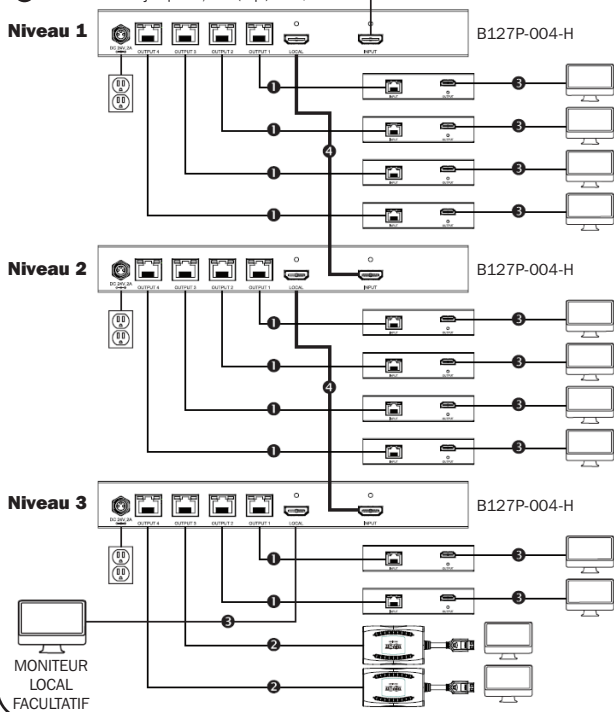
## Installation d'un prolongateur/coupleur en guirlande

### Remarques :

- 1) Effectuer un essai pour s'assurer que l'ensemble de l'installation fonctionne correctement avant de tirer les câbles à travers les plafonds/murs.
- 2) Pour obtenir la distance et la performance maximales, utiliser un câble Cat6 à fils rigides 24 AWG. L'utilisation d'un câble à fils à toron Cat6 ou d'un câble dont le calibre (AWG) est supérieur à 26 AWG donnera lieu à une distance d'extension plus courte étant donné que le câble aura une capacité de transmission plus limitée. Tous les câbles Cat6 de la série N202 Tripp Lite sont faits de câblage à fils rigides de 24 AWG.
- 3) À l'aide du B127P-100-H, un signal de 4K/60 Hz peut être prolongé jusqu'à 38 m (125 pi) de la source. À l'aide d'un B127P-100-H-S, un signal de 4K/60 Hz peut être prolongé jusqu'à 15 m (50 pi) de la source.

# Installation d'un prolongateur/coupleur en guirlande

- 1 Câble Cat6 jusqu'à 38 m (125 pi) à 4K/60 Hz
- 2 Câble Cat6 jusqu'à 15 m (50 pi) à 4K/60 Hz
- 3 Câble HDMI 2.0 jusqu'à 4,5 m (15 pi) à 4K/60 Hz
- 4 Câble HDMI 2.0 jusqu'à 1,8 m (6 pi) à 4K/60 Hz



## Installation d'un prolongateur/coupleur en guirlande

1. S'assurer que tout l'équipement de l'installation — comme les télévisions, les lecteurs Blu-ray et le transmetteur — est hors tension.
2. À l'aide d'un câble HDMI 2.0 (comme les câbles de la série P569-XXX-CERT ou P568-XXX-2A de Tripp Lite), raccorder la source HDMI au port INPUT (entrée) sur l'appareil B127P-004-H.
3. À l'aide d'un câble HDMI 2.0 de 1,83 m/6 pi (comme les câbles de la série P569-006-CERT ou P568-006-2A de Tripp Lite), raccorder le port LOCAL sur le B127P-004-H au port INPUT (entrée) sur un second appareil B127P-004-H.
4. Répéter l'étape 3 si un troisième appareil B127P-004-H est connecté.

**Remarque :** *Seulement trois niveaux de coupleurs peuvent être mis en cascade.*

5. **Facultatif :** à l'aide d'un câble HDMI 2.0 (comme les câbles de la série P569-XXX-CERT ou P568-XXX-2A de Tripp Lite), raccorder un moniteur local au port HDMI LOCAL du dernier appareil B127P-004-H de l'installation.
6. À l'aide d'un câble Cat6, raccorder l'un des ports de sortie RJ45 sur les transmetteurs locaux au port d'entrée RJ45 sur un récepteur à distance B127P-100-H ou B127P-100-H-SR.
7. Répéter l'étape 6 pour chaque appareil à distance supplémentaire raccordé.
8. À l'aide d'un câble HDMI 2.0 (comme les câbles de la série P569-XXX-CERT ou P568-XXX-2A de Tripp Lite), raccorder le B127P-100-H ou B127P-100-H-SR à un écran.
9. Répéter l'étape 8 pour chaque moniteur supplémentaire à raccorder à un récepteur à distance.
10. Mettre tous les écrans connectés sous tension.

## Installation d'un prolongateur/coupleur en guirlande

- 11.** Brancher l'alimentation externe au transmetteur local et le brancher à une prise murale disponible ou (facultatif) à un parasurtenseur, une unité de distribution de puissance (PDU) ou un onduleur Tripp Lite. Le voyant à DEL POWER (alimentation) (vert) s'allumera pour indiquer que l'appareil est alimenté par l'alimentation externe.
- 12.** Répéter l'étape 11 pour chaque appareil B127P-004-H supplémentaire de la guirlande.
- 13. B127P-100-H et B127P-100-H-SR :** les voyants à DEL vert et orange s'allumeront, avec le voyant à DEL vert indiquant que l'appareil est alimenté par le prolongateur/coupleur, et le voyant à DEL orange indiquant que l'appareil est raccordé à un appareil local sous tension via un câble Cat6.
- 14.** Mettre la source HDMI sous tension. Les voyants à DEL RJ45 orange s'allumeront sur le B127P-004-H pour indiquer que l'appareil reçoit un signal de la source. L'écran devrait maintenant s'afficher sur les moniteurs connectés.

## Dépannage

1. À l'aide d'un coupleur, si la couleur d'un écran est anormale, configurer le réglage de la couleur foncée du lecteur à « turn off » (désactiver).
2. Lorsque la source est 4K/60 4:2:2 HDR, la sortie ne peut pas afficher la qualité 1 080 p/60 Hz.

S'il n'est pas possible d'obtenir une image acceptable après avoir suivi les instructions d'installation, suivre les conseils de dépannage ci-dessous :

### Tableaux de comparaison des résolutions

|                            |             | Port | Raccorder la télévision | Résolution réelle |
|----------------------------|-------------|------|-------------------------|-------------------|
| <b>SOURCE<br/>4K/60 Hz</b> | Situation 1 | 1    | 4K/60 Hz                | 4K/60 Hz          |
|                            |             | 2-4  | 4K/60 Hz                | 4K/60 Hz          |
|                            | Situation 2 | 1    | 4K/60 Hz                | 4K/60 Hz          |
|                            |             | 2-4  | 4K/30 Hz                | 1 080 p/60 Hz     |
|                            | Situation 3 | 1    | 4K/60 Hz                | 4K/60 Hz          |
|                            |             | 2-4  | 1 080 p/60 Hz           | 1 080 p/60 Hz     |
|                            | Situation 4 | 1    | 4K/30 Hz                | 4K/30 Hz          |
|                            |             | 2-4  | 4K/30 Hz                | 4K/30 Hz          |
|                            | Situation 5 | 1    | 4K/30 Hz                | 4K/30 Hz          |
|                            |             | 2-4  | 1 080 p/60 Hz           | 1 080 p/60 Hz     |
|                            | Situation 6 | 1    | 1 080 p/60 Hz           | 1 080 p/60 Hz     |
|                            |             | 2-4  | 1 080 p/60 Hz           | 1 080 p/60 Hz     |

## Dépannage

|                        |             | Port | Raccorder la télévision | Résolution réelle |
|------------------------|-------------|------|-------------------------|-------------------|
| <b>SOURCE 4K/30 Hz</b> | Situation 1 | 1    | 4K/60 Hz                | 4K/30 Hz          |
|                        |             | 2-4  | 4K/60 Hz                | 4K/30 Hz          |
|                        | Situation 2 | 1    | 4K/60 Hz                | 4K/30 Hz          |
|                        |             | 2-4  | 4K/30 Hz                | 4K/30 Hz          |
|                        | Situation 3 | 1    | 4K/60 Hz                | 4K/30 Hz          |
|                        |             | 2-4  | 1 080 p/60 Hz           | 1 080 p/60 Hz     |
|                        | Situation 4 | 1    | 4K/30 Hz                | 4K/30 Hz          |
|                        |             | 2-4  | 4K/30 Hz                | 4K/30 Hz          |
|                        | Situation 5 | 1    | 4K/30 Hz                | 4K/30 Hz          |
|                        |             | 2-4  | 1 080 p/60 Hz           | 1 080 p/30 Hz     |
|                        | Situation 6 | 1    | 1 080 p/60 Hz           | 1 080 p/60 Hz     |
|                        |             | 2-4  | 1 080 p/60 Hz           | 1 080 p/60 Hz     |

|                             |             | Port | Raccorder la télévision | Résolution réelle |
|-----------------------------|-------------|------|-------------------------|-------------------|
| <b>SOURCE 1 080 P/60 Hz</b> | Situation 1 | 1    | 4K/60 Hz                | 1 080 p/60 Hz     |
|                             |             | 2-4  | 4K/60 Hz                | 1 080 p/60 Hz     |
|                             | Situation 2 | 1    | 4K/60 Hz                | 1 080 p/60 Hz     |
|                             |             | 2-4  | 4K/30 Hz                | 1 080 p/60 Hz     |
|                             | Situation 3 | 1    | 4K/60 Hz                | 1 080 p/60 Hz     |
|                             |             | 2-4  | 1 080 p/60 Hz           | 1 080 p/60 Hz     |
|                             | Situation 4 | 1    | 4K/30 Hz                | 1 080 p/60 Hz     |
|                             |             | 2-4  | 4K/30 Hz                | 1 080 p/60 Hz     |
|                             | Situation 5 | 1    | 4K/30 Hz                | 1 080 p/60 Hz     |
|                             |             | 2-4  | 1 080 p/60 Hz           | 1 080 p/30 Hz     |
|                             | Situation 6 | 1    | 1 080 p/60 Hz           | 1 080 p/60 Hz     |
|                             |             | 2-4  | 1 080 p/60 Hz           | 1 080 p/60 Hz     |

# Garantie

## **Garantie limitée de 1 an**

TRIPP LITE garantit que ses produits sont exempts de vices de matériaux et de fabrication pendant une période d'un (1) an à partir de la date d'achat initiale. La responsabilité de TRIPP LITE, en vertu de la présente garantie, se limite à la réparation ou au remplacement (à sa seule discrétion) de ces produits défectueux. Pour obtenir une réparation sous la présente garantie, vous devez obtenir un numéro d'autorisation de retour de matériel (RMA) auprès de TRIPP LITE ou d'un centre de réparation reconnu par TRIPP LITE. Les produits doivent être retournés à TRIPP LITE ou à un centre de réparation reconnu par TRIPP LITE en port prépayé et être accompagnés d'une brève description du problème et d'un justificatif de la date et du lieu d'achat. Cette garantie ne s'applique pas au matériel ayant été endommagé suite à un accident, à une négligence ou à une application abusive, ou ayant été altéré ou modifié d'une façon quelconque.

SAUF INDICATION CONTRAIRE DANS LES PRÉSENTES, TRIPP LITE N'ÉMET AUCUNE GARANTIE, EXPRESSE OU TACITE, Y COMPRIS DES GARANTIES DE QUALITÉ COMMERCIALE ET D'ADAPTATION À UN USAGE PARTICULIER. Certains États n'autorisant pas la limitation ni l'exclusion de garanties tacites, les limitations ou exclusions susmentionnées peuvent ne pas s'appliquer à l'acheteur.

À L'EXCEPTION DES DISPOSITIONS CI-DESSUS, TRIPP LITE NE POURRA EN AUCUN CAS ÊTRE TENUE RESPONSABLE DE DOMMAGES DIRECTS, INDIRECTS, SPÉCIAUX, FORTUITS OU CONSÉCUTIFS RÉSULTANT DE L'UTILISATION DE CE PRODUIT, MÊME SI AYANT ÉTÉ AVISÉE DE L'ÉVENTUALITÉ DE TELS DOMMAGES. Plus précisément, TRIPP LITE ne pourra être tenue responsable de coûts, tels que perte de bénéfices ou de recettes, perte de matériel, impossibilité d'utilisation du matériel, perte de logiciel, perte de données, frais de produits de remplacement, réclamations d'un tiers ou autres.

## Garantie

### Renseignements sur la conformité à la directive DEEE pour les clients de Tripp Lite et les recycleurs (Union européenne)



En vertu de la directive et des règlements d'application relatifs aux déchets d'équipements électriques et électroniques (DEEE), lorsque des clients achètent de l'équipement électrique et électronique neuf de Tripp Lite, ils ont droit :

- D'envoyer l'équipement usagé au recyclage pourvu qu'il soit remplacé par un équipement équivalent (cela varie selon les pays)
- De retourner le nouvel équipement afin qu'il soit recyclé à la fin de sa vie utile.

### AVERTISSEMENT

Il n'est pas recommandé d'utiliser cet équipement pour des appareils de survie où une défaillance de cet équipement peut, selon toute vraisemblance, entraîner la défaillance de l'appareil de maintien de la vie ou nuire de façon majeure à sa sécurité ou à son efficacité.

La politique de Tripp Lite en est une d'amélioration continue. Les caractéristiques techniques sont modifiables sans préavis. Les produits réels peuvent différer légèrement des photos et des illustrations.



1111 W. 35th Street, Chicago, IL 60609 USA • [triplite.com/support](http://triplite.com/support)



# Руководство пользователя

## Ретрансляторы/удлинители и разветвители 4K/60 HDMI через Cat6 с поддержкой сигналов различных разрешений

Модели локальных модулей: B127P-002-H, B127P-004-H

Модели удаленных модулей: B127P-100-H, B127P-100-H-SR

English 1 • Español 17 • Français 33

EAC

**TRIPP·LITE**



1111 W. 35th Street, Chicago, IL 60609 USA • [tripplite.com/support](http://tripplite.com/support)

Охраняется авторским правом © 2019 Tripp Lite. Перепечатка запрещается.

## Содержимое упаковки

|   | B127P-002-H | B127P-004-H | B127P-100-H | B127P-100-H-SR |
|---|-------------|-------------|-------------|----------------|
| Локальный модуль (L) или удаленный модуль (R) | L           | Л           | У           | R              |
| Внешние блоки питания (0 или 1)               | 1           | 1           | 0           | 0              |
| Монтажные приспособления                      | ДА          | ДА          | ДА          | НЕТ            |

## Характеристики изделия

### Все

- Поддержка видеоразрешения до 4K (3840 x 2160) при 60 Гц с цветовой субдискретизацией 4:4:4
- Поддержка аудиосистем объемного звучания до 7.1
- Совместимость с HDMI 2.0, HDCP 2.2 и HDR
- Автоматическая настройка при подключении по технологии Plug-and-play без необходимости использования какого-либо программного обеспечения или драйверов

## Характеристики изделия

### **V127P-002-H**

- 2-портовый локальный передающий модуль удлинителя/разветвителя HDMI через Cat6
- Разделяет HDMI-сигнал на два
- Работает совместно с приемными модулями Tripp Lite V127P-100-H и V127P-100-H-SR, обеспечивая ретрансляцию HDMI-сигнала
- Функция Power over Cable / PoC ("Питание через кабель") обеспечивает подачу электропитания на удаленные приемники
- Поддержка сигналов с разрешением 4K (3840 x 2160) при 60 Гц и 1080 при 60 Гц
- Функция поддержки сигналов различных разрешений обеспечивает отображение сигналов с различными разрешениями в одной системе без необходимости снижения качества сигнала до самого низкого разрешения
- В комплект поставки входят монтажные приспособления, обеспечивающие возможность как настенного монтажа модуля, так и его монтажа в стойке или на мачте

### **V127P-004-H**

- 4-портовый локальный передающий модуль удлинителя/разветвителя HDMI через Cat6
- Разделяет HDMI-сигнал на четыре
- Работает совместно с приемными модулями Tripp Lite V127P-100-H и V127P-100-H-SR, обеспечивая ретрансляцию HDMI-сигнала
- Функция Power over Cable / PoC ("Питание через кабель") обеспечивает подачу электропитания на удаленные приемники
- Поддержка сигналов с разрешением 4K (3840 x 2160) при 60 Гц и 1080 при 60 Гц
- Функция поддержки сигналов различных разрешений обеспечивает отображение сигналов с различными разрешениями в одной системе без необходимости снижения качества сигнала до самого низкого разрешения
- Имеет дополнительный HDMI-порт, который может использоваться для подключения локального монитора или шлейфового подключения дополнительных модулей V127P-004-H (до трех модулей в каскаде)
- В комплект поставки входят монтажные приспособления, обеспечивающие возможность как настенного монтажа модуля, так и его монтажа в стойке или на мачте

## Характеристики изделия

### **V127P-100-H**

- Удаленный приемный модуль HDMI через Cat6 с питанием по кабелю (PoC)
- Взаимодействует с удлинителями/разветвителями мод. V127P-002-H и V127P-004-H, обеспечивая ретрансляцию сигнала с разрешением 4K при 60 Гц на расстояние до 38 м от источника
- Встроенный эквалайзер для автоматической коррекции параметров видеозображения
- Поддержка сигналов с разрешением 4K (3840 x 2160) при 60 Гц и 1080 при 60 Гц
- Функция поддержки сигналов различных разрешений обеспечивает отображение сигналов с различными разрешениями в одной системе без необходимости снижения качества сигнала до самого низкого разрешения
- В комплект поставки входят монтажные приспособления, обеспечивающие возможность как настенного монтажа модуля, так и его монтажа в стойке или на мачте

### **V127P-100-H-SR**

- Удаленный приемный модуль HDMI через Cat6 малой дальности с питанием по кабелю (PoC)
- Взаимодействует с удлинителями/разветвителями мод. V127P-002-H и V127P-004-H, обеспечивая ретрансляцию сигнала с разрешением 4K при 60 Гц на расстояние до 15 м от источника
- Встроенный эквалайзер для автоматической коррекции параметров видеозображения
- Поддержка сигналов с разрешением 4K (3840 x 2160) при 60 Гц и 1080 при 60 Гц
- Функция поддержки сигналов различных разрешений обеспечивает отображение сигналов с различными разрешениями в одной системе без необходимости снижения качества сигнала до самого низкого разрешения
- Вмонтированный гибкий HDMI-кабель длиной 15 см вставляется непосредственно в HDMI-порт дисплея

### **Опциональные комплектующие:**

- Соединительные кабели Cat6 серии N202 с одножильными проводами калибра 24 AWG
- Высокоскоростные кабели HDMI 2.0 серии P569-XXX-CERT или P568-XXX-2A

## Ограничение ответственности

Перед началом установки проверьте следующие настройки своего(-их) источника(-ов) и телевизора(-ов)/монитора(-ов):

1. Выполните настройку на частоту 60 Гц. Перепроверьте заводские настройки, поскольку по умолчанию может быть установлена более низкая частота (в Гц) по сравнению с заявленной.
2. Убедитесь в том, что монитор настроен на входной сигнал стандарта HDMI 2.0. Некоторые дисплеи могут быть по умолчанию настроены на стандарт HDMI 1.4.
3. Проверьте, включена ли на мониторе функция HDR. На некоторых дисплеях эта функция может быть отключена в качестве заводской настройки.
4. Проверьте, включена ли на телевизоре/мониторе настройка Ultra HD (UHD) Deep Color. Узнайте у производителя своего телевизора/монитора, какие HDMI-порты поддерживают UHD Deep Color.

**Примечание.** Если вы желаете подключить к своей установке локальный монитор, то в зависимости от марки/модели вашего телевизора/монитора может потребоваться отключение настройки UHD Deep Color на локальном телевизоре/мониторе для достижения разрешения 4K при 60 Гц.

## Указания по монтажу (только для отдельных моделей)

Модели B127P-002-H, B127P-004-H и B127P-100-H комплектуются монтажной оснасткой, обеспечивающей возможность крепления различными способами. На приведенных ниже изображениях представлены возможные способы крепления входящих в комплект монтажных кронштейнов для различных установок.

**Примечание.** Приведенная ниже модель представлена только в качестве иллюстрации. Ваше изделие может отличаться по номеру модели, размеру или ориентации портов. Варианты монтажа одинаковы для всех IP-модулей.

### Настенный монтаж



### Монтаж в стойку 19"



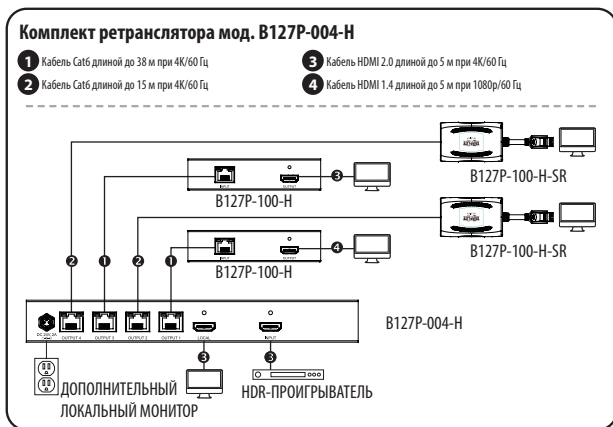
### Монтаж на мачте



## Установка стандартного удлинителя/разветвителя

### Примечания:

- 1) Перед протягиванием кабелей через стены/потолки необходимо проверить правильность функционирования всей установки.
- 2) Для достижения максимальной дистанции и производительности используйте кабель Cat6 с одножильными проводниками калибра 24 AWG. Использование кабеля Cat6 с многожильными проводниками или кабеля с проводниками более высокого калибра (например, 26 AWG) приведет к сокращению длины ретрансляции, поскольку такой кабель будет иметь ограниченную передающую способность. Все кабели Cat6 серии N202 марки Tripp Lite изготавливаются с использованием одножильных проводов калибра 24 AWG.
- 3) На схеме установки изображен локальный передающий модуль V127P-004-H. Схема установки модуля V127P-002-H выглядит аналогично, за исключением того, что он имеет только два удаленных и ни одного локального порта.
- 4) Модули V127P-100-H и V127P-100-H-SR не требуют внешнего источника питания благодаря использованию технологии PoC (питание по кабелю) в передающих модулях.



## Установка стандартного удлинителя/разветвителя

1. Убедитесь в том, что питание всего оборудования (а именно телевизоров, проигрывателей Blu-ray и передатчика) отключено.
2. С помощью кабеля HDMI 2.0 (например, кабелей Tripp Lite серии P569-XXX-CERT или P568-XXX-2A) подключите источник HDMI-сигнала к порту INPUT (ВХОД) устройства мод. B127P-002-H или B217P-004-H.
3. **Необязательно для мод. B127P-004-H:** с помощью кабеля HDMI 2.0 (например, кабелей Tripp Lite серии P569-XXX-CERT или P568-XXX-2A) подключите HDMI-монитор к порту LOCAL (ЛОКАЛЬНЫЙ) устройства мод. B127P-004-H.
4. Соедините порт RJ45 локального передатчика с портом RJ45 удаленного приемника при помощи кабеля Cat6.
5. Повторите шаг 4 для каждого дополнительно подключаемого удаленного модуля.
6. С помощью кабеля HDMI 2.0 (например, кабелей Tripp Lite серии P569-XXX-CERT или P568-XXX-2A) соедините HDMI-порт удаленного приемника с монитором.
7. Подайте питание на подключенные телевизоры/мониторы. Включение светодиодного индикатора LOCAL (оранжевого цвета) указывает на то, что локальный порт подключен к дисплею.
8. Подключите к локальному передатчику внешний источник питания, затем включите его в свободную электрическую розетку или (опционально) сетевой фильтр, блок распределения питания (PDU) или источник бесперебойного питания (ИБП) Tripp Lite. Питание модуля от внешнего источника отображается светодиодным индикатором POWER зеленого цвета на локальном передатчике. Включение светодиодного индикатора POWER (зеленого цвета) на удаленном приемнике указывает на то, что это устройство получает питание от локального передатчика по технологии PoC.
9. Включите питание источника HDMI-сигнала. При получении сигнала от источника на локальном передатчике загорается светодиодный индикатор OUTPUT оранжевого цвета. Кроме того, сигнальное соединение каждого порта отображается светодиодным индикатором OUTPUT (ВЫХОД) оранжевого цвета.



## Установка стандартного удлинителя/разветвителя

10. При получении на дисплее сигнала от источника на локальном передатчике и удаленном приемнике загораются светодиодные индикаторы RJ45 оранжевого цвета. Теперь представляемая на экране информация должна выводиться на подключенный(-е) монитор(-ы).

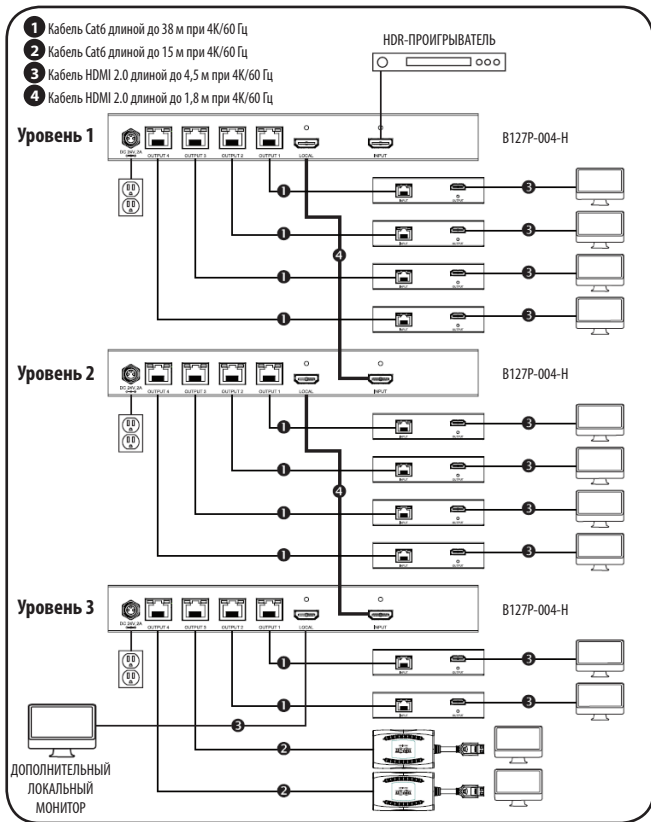
## Установка системы со шлейфовым подключением ретрансляторов/разветвителей

### Примечания:

- 1) Перед протягиванием кабелей через стены/потолки необходимо проверить правильность функционирования всей установки.
- 2) Для достижения максимальной дистанции и производительности используйте кабель Cat6 с одножильными проводами калибра 24 AWG. Использование кабеля Cat6 с многожильными проводами или кабеля с проводами более высокого калибра (например, 26 AWG) приведет к сокращению длины ретрансляции, поскольку такой кабель будет иметь ограниченную передающую способность. Все кабели Cat6 серии N202 марки Tripp Lite изготавливаются с использованием одножильных проводов калибра 24 AWG.
- 3) Использование мод. B127P-100-H может обеспечивать ретрансляцию сигнала с разрешением 4K при 60 Гц на расстояние до 38 м от источника. Использование мод. B127P-100-H-SR может обеспечивать ретрансляцию сигнала с разрешением 4K при 60 Гц на расстояние до 15 м от источника.

## Установка системы со шлейфовым подключением ретрансляторов/разветвителей

- 1 Кабель Cat6 длиной до 38 м при 4К/60 Гц
- 2 Кабель Cat6 длиной до 15 м при 4К/60 Гц
- 3 Кабель HDMI 2.0 длиной до 4,5 м при 4К/60 Гц
- 4 Кабель HDMI 2.0 длиной до 1,8 м при 4К/60 Гц



## Установка системы со шлейфовым подключением ретрансляторов/разветвителей

1. Убедитесь в том, что питание всего оборудования (а именно телевизоров, проигрывателей Blu-ray и передатчика) отключено.
2. С помощью кабеля HDMI 2.0 (например, кабелей Tripp Lite серии P569-XXX-CERT или P568-XXX-2A) подключите источник HDMI-сигнала к порту INPUT (ВХОД) устройства мод. B127P-004-H.
3. С помощью кабеля HDMI 2.0 длиной 1,83 м (например, кабелей Tripp Lite серии P569-006-CERT или P568-006-2A) соедините порт LOCAL (ЛОКАЛЬНЫЙ) устройства мод. B127P-004-H с портом INPUT (ВХОД) второго устройства той же модели.
4. При подключении третьего устройства мод. B127P-004-H повторите шаг 3.  
**Примечание.** Каскадное подключение возможно только для трех уровней разветвителей.
5. **Необязательно:** с помощью кабеля HDMI 2.0 (например, кабелей Tripp Lite серии P569-XXX-CERT или P568-XXX-2A) подключите локальный монитор к HDMI-порту LOCAL (ЛОКАЛЬНЫЙ) последнего устройства B127P-004-H в данной установке.
6. С помощью кабеля Cat6 соедините один из выходных портов RJ45 локальных передатчиков с входным портом RJ45 удаленного приемника мод. B127P-100-H или B127P-100-H-SR.
7. Повторите шаг 6 для каждого дополнительно подключаемого удаленного модуля.
8. С помощью кабеля HDMI 2.0 (например, кабелей Tripp Lite серии P569-XXX-CERT или P568-XXX-2A) подключите устройство мод. B127P-100-H или B127P-100-H-SR к дисплею.
9. Повторите шаг 8 для каждого дополнительного монитора, подключаемого к удаленному приемнику.
10. Подайте питание на все подключенные дисплеи.
11. Подключите к локальному передатчику внешний источник питания, затем включите его в свободную электрическую розетку или (опционально) сетевой фильтр, блок распределения питания (PDU) или источник бесперебойного питания (ИБП) Tripp Lite. Питание модуля от внешнего источника отображается светодиодным индикатором POWER зеленого цвета.

## Установка системы со шлейфовым подключением ретрансляторов/разветвителей

12. Повторите шаг 11 для каждого модуля В127Р-004-Н, добавляемого в шлейф.
13. **Для мод. В127Р-100-Н и В127Р-100-Н-SR:** загорятся светодиодные индикаторы зеленого и оранжевого цветов. Зеленый СИД указывает на то, что устройство получает питание от удлинителя/разветвителя, а оранжевый СИД указывает на то, что устройство подключено к локальному модулю с включенным питанием через кабель Cat6.
14. Включите питание источника HDMI-сигнала. Включение светодиодных индикаторов RJ45 оранжевого цвета на устройстве мод. В127Р-004-Н указывает на получение сигнала от источника. Теперь представляемая на экране информация должна выводиться на подключенные мониторы.

## Выявление и устранение неисправностей

1. Если при использовании разветвителя цветопередача одного из дисплеев не соответствует норме, установите настройку кодирования цвета в проигрывателе на "выкл".
2. При использовании источника с параметрами 4K/60 4:2:2 HDR воспроизведение выходного сигнала с качеством 1080p/60 Гц невозможно.

Если выполнение указаний по установке не позволяет получить приемлемого качества изображения, попробуйте воспользоваться приведенными ниже рекомендациями по выявлению и устранению неисправностей:

### Сравнительные таблицы разрешений

|                      |            | Порт | Подключение ТВ | Реальное разрешение |
|----------------------|------------|------|----------------|---------------------|
| ИСТОЧНИК<br>4K/60 Гц | Ситуация 1 | 1    | 4K/60Hz        | 4K/60Hz             |
|                      |            | 2-4  | 4K/60Hz        | 4K/60Hz             |
|                      | Ситуация 2 | 1    | 4K/60Hz        | 4K/60Hz             |
|                      |            | 2-4  | 4K/30Hz        | 1080p/60Hz          |
|                      | Ситуация 3 | 1    | 4K/60Hz        | 4K/60Hz             |
|                      |            | 2-4  | 1080p/60Hz     | 1080p/60Hz          |
|                      | Ситуация 4 | 1    | 4K/30Hz        | 4K/30Hz             |
|                      |            | 2-4  | 4K/30Hz        | 4K/30Hz             |
|                      | Ситуация 5 | 1    | 4K/30Hz        | 4K/30Hz             |
|                      |            | 2-4  | 1080p/60Hz     | 1080p/60Hz          |
|                      | Ситуация 6 | 1    | 1080p/60Hz     | 1080p/60Hz          |
|                      |            | 2-4  | 1080p/60Hz     | 1080p/60Hz          |

## Выявление и устранение неисправностей

|                              |            | Порт | Подключение ТВ | Реальное разрешение |
|------------------------------|------------|------|----------------|---------------------|
| <b>ИСТОЧНИК<br/>4К/30 Гц</b> | Ситуация 1 | 1    | 4К/60Hz        | 4К/30Hz             |
|                              |            | 2-4  | 4К/60Hz        | 4К/30Hz             |
|                              | Ситуация 2 | 1    | 4К/60Hz        | 4К/30Hz             |
|                              |            | 2-4  | 4К/30Hz        | 4К/30Hz             |
|                              | Ситуация 3 | 1    | 4К/60Hz        | 4К/30Hz             |
|                              |            | 2-4  | 1080p/60Hz     | 1080p/60Hz          |
|                              | Ситуация 4 | 1    | 4К/30Hz        | 4К/30Hz             |
|                              |            | 2-4  | 4К/30Hz        | 4К/30Hz             |
|                              | Ситуация 5 | 1    | 4К/30Hz        | 4К/30Hz             |
|                              |            | 2-4  | 1080p/60Hz     | 1080p/30Hz          |
|                              | Ситуация 6 | 1    | 1080p/60Hz     | 1080p/60Hz          |
|                              |            | 2-4  | 1080p/60Hz     | 1080p/60Hz          |

|                                 |            | Порт | Подключение ТВ | Реальное разрешение |
|---------------------------------|------------|------|----------------|---------------------|
| <b>ИСТОЧНИК<br/>1080P/60 Гц</b> | Ситуация 1 | 1    | 4К/60Hz        | 1080p/60Hz          |
|                                 |            | 2-4  | 4К/60Hz        | 1080p/60Hz          |
|                                 | Ситуация 2 | 1    | 4К/60Hz        | 1080p/60Hz          |
|                                 |            | 2-4  | 4К/30Hz        | 1080p/60Hz          |
|                                 | Ситуация 3 | 1    | 4К/60Hz        | 1080p/60Hz          |
|                                 |            | 2-4  | 1080p/60Hz     | 1080p/60Hz          |
|                                 | Ситуация 4 | 1    | 4К/30Hz        | 1080p/60Hz          |
|                                 |            | 2-4  | 4К/30Hz        | 1080p/60Hz          |
|                                 | Ситуация 5 | 1    | 4К/30Hz        | 1080p/60Hz          |
|                                 |            | 2-4  | 1080p/60Hz     | 1080p/30Hz          |
|                                 | Ситуация 6 | 1    | 1080p/60Hz     | 1080p/60Hz          |
|                                 |            | 2-4  | 1080p/60Hz     | 1080p/60Hz          |

## Гарантийные обязательства

### Ограниченная гарантия сроком 1 год

Компания TRIPP LITE гарантирует отсутствие дефектов материалов и изготовления в течение одного (1) года с момента первоначальной покупки.

Обязательства компании TRIPP LITE по настоящей гарантии ограничиваются ремонтом или заменой (по ее единоличному усмотрению) любых таких дефектных изделий. Для получения услуг по данной гарантии необходимо получить номер Returned Material Authorization (RMA — разрешение на возврат материалов) от компании TRIPP LITE или ее авторизованного сервисного центра. Изделия должны быть возвращены в компанию TRIPP LITE или авторизованный сервисный центр TRIPP LITE с предоплатой транспортных расходов и сопровождаться кратким описанием возникшей проблемы и документом, подтверждающим дату и место его приобретения. Действие настоящей гарантии не распространяется на оборудование, поврежденное в результате аварии, небрежного обращения или неправильного использования, а также видоизмененное каким бы то ни было образом.

ЗА ИСКЛЮЧЕНИЕМ ПРЕДУСМОТРЕННЫХ ЗДЕСЬ СЛУЧАЕВ КОМПАНИЯ TRIPP LITE НЕ ПРЕДОСТАВЛЯЕТ КАКИХ-ЛИБО ЯВНЫХ ИЛИ ПОДРАЗУМЕВАЕМЫХ ГАРАНТИЙ, ВКЛЮЧАЯ ГАРАНТИИ КОММЕРЧЕСКОЙ ПРИГОДНОСТИ И ПРИГОДНОСТИ ДЛЯ КАКОЙ-ЛИБО КОНКРЕТНОЙ ЦЕЛИ. В некоторых штатах/государствах ограничение или исключение подразумеваемых гарантий не допускается; следовательно, вышеуказанное(-ые) ограничение(-я) или исключение(-я) могут не распространяться на покупателя.

ЗА ИСКЛЮЧЕНИЕМ ПРЕДУСМОТРЕННЫХ ВЫШЕ СЛУЧАЕВ КОМПАНИЯ TRIPP LITE НИ ПРИ КАКИХ ОБСТОЯТЕЛЬСТВАХ НЕ НЕСЕТ ОТВЕТСТВЕННОСТИ ЗА ПРЯМЫЕ, КОСВЕННЫЕ, СЛУЧАЙНЫЕ ИЛИ ПОБОЧНЫЕ УБЫТКИ ЛИБО УБЫТКИ, ОПРЕДЕЛЯЕМЫЕ ОСОБИМИ ОБСТОЯТЕЛЬСТВАМИ, ВОЗНИКАЮЩИЕ В СВЯЗИ С ИСПОЛЬЗОВАНИЕМ ДАННОГО ИЗДЕЛИЯ, ДАЖЕ В СЛУЧАЕ ЕЕ ИНФОРМИРОВАНИЯ О ВОЗМОЖНОСТИ НАСТУПЛЕНИЯ ТАКИХ УБЫТКОВ. В частности, компания TRIPP LITE не несет ответственности за какие-либо издержки, такие как упущенные прибыли или доходы, потеря оборудования, потеря возможности использования оборудования, потеря программного обеспечения, потеря данных, расходы на заменители, урегулирование претензий третьих лиц и пр.

## Гарантийные обязательства

**Информация по выполнению требований Директивы WEEE для покупателей и переработчиков продукции компании Tripp Lite (являющихся резидентами Европейского союза)**



Согласно положениям Директивы об утилизации отходов электрического и электронного оборудования (WEEE) и исполнительных распоряжений по ее применению, при покупке потребителями нового электрического или электронного оборудования производства компании Tripp Lite они получают право на:

- Продажу старого оборудования по принципу "один к одному" и/или на эквивалентной основе (в зависимости от конкретной страны)
- Отправку нового оборудования на переработку после окончательной выработки его ресурса

### **ВНИМАНИЕ!**

Не рекомендуется использование данного оборудования в системах жизнеобеспечения, где его выход из строя предположительно может привести к перебоям в работе оборудования жизнеобеспечения или в значительной мере снизить его безопасность или эффективность.

Компания Tripp Lite постоянно совершенствует свою продукцию. В связи с этим возможно изменение технических характеристик без предварительного уведомления. Внешний вид реальных изделий может несколько отличаться от представленного на фотографиях и иллюстрациях.



Продукция высшего качества.

1111 W. 35th Street, Chicago, IL 60609 USA • [tripplite.com/support](http://tripplite.com/support)