

Owner's Manual

SMX1500LCD Digital UPS System

Series Number: AGSM5510

Not suitable for mobile applications.

Español 8 • Français 15 • Русский 22 • Deutsch 29

Important Safety Instructions

SAVE THESE INSTRUCTIONS

The manual contains instructions and warnings that should be followed during the installation, operation and storage of this product. Failure to heed these warnings will void your warranty.

UPS Location Warnings

- The UPS is designed for indoor use only in a controlled environment, away from excess moisture, temperature extremes, conductive contaminants, dust or direct sunlight.
- For best performance, maintain an indoor temperature between 0° C and 40° C.
- Leave adequate space around all sides of the UPS for proper ventilation.
- Do not mount unit with its front or rear panel facing down (at any angle). Mounting in this manner will seriously inhibit the unit's internal cooling, eventually causing product damage not covered under warranty.

UPS Connection Warnings

- Connect the UPS directly to a properly grounded AC power outlet. Do not plug the UPS into itself; this will damage the UPS.
- Do not modify the UPS plug, and do not use an adapter that eliminates the UPS ground connection.
- Do not use extension cords to connect the UPS to an AC outlet.
- If the UPS receives power from a motor-driven AC generator, the generator must provide clean, filtered, computer-grade output.
- The mains outlet supplying power to the UPS should be near the UPS and easily accessible.
- To remove the UPS from the supply mains, the AC plug serves as a disconnect device.

Equipment Connection Warnings

- Use of this equipment in life support applications where failure of this equipment can reasonably be expected to cause the failure of the life support equipment or to significantly affect its safety or effectiveness is not recommended.
- Do not connect surge protectors or extension cords to the output of the UPS. This might damage the UPS and will void the surge protector and UPS warranties.

Battery Warnings

- The UPS does not require routine maintenance. Do not open the UPS for any reason. There are no user-serviceable parts inside.
- Batteries can present a risk of electrical shock and burn from high short-circuit current. Observe proper precautions. Do not dispose of the batteries in a fire. Do not open the UPS or batteries. Do not short or bridge the battery terminals with any object. Unplug and turn off the UPS before performing battery replacement. Use tools with insulated handles. There are no user-serviceable parts inside the UPS. Battery replacement should be performed only by authorized service personnel using the same number and type of batteries (Sealed Lead-Acid). The batteries are recyclable. Refer to your local codes for disposal requirements or visit <http://www.tripplite.com/support/recycling-program> for recycling information. Tripp Lite offers a complete line of UPS System Replacement Battery Cartridges (R.B.C.). Visit Tripp Lite on the Web at <http://www.tripplite.com/products/battery-finder/> to locate the specific replacement battery for your UPS.
- Do not attempt to add external batteries to the UPS.



1111 W. 35th Street, Chicago, IL 60609 USA • www.tripplite.com/support

Copyright © 2019 Tripp Lite. All rights reserved.

Quick Installation

1 Place the UPS in a horizontal or vertical (tower) position.

To install the UPS in a 4-post or 2-post rack, remove the mounting hole covers from the top and bottom sides of the UPS **A**. To install the UPS in a 4-post rack, attach the mounting ears to each side of the UPS using the included hardware **B**. To install the UPS in a 2-post rack, attach the mounting ears to each side of the UPS using the included hardware **C**. With the help of an assistant (if needed), lift the UPS and attach it to a standard rack with user-supplied hardware.



Caution: If the UPS is installed in a rack, allow at least 2 cm (0.75 in.) clearance above and below the unit. If the UPS is placed on a flat surface, do NOT stack any other object directly on top of the unit.

The UPS will stand in a tower position without the aid of the included hardware. For increased stability, Tripp Lite recommends attaching the included hardware as shown in diagram **D**. In either position, the user must determine the fitness of hardware and procedures before installation.

Note: The UPS and its included hardware are designed for use with common rack types and may not be appropriate for all applications.

The LCD display may be rotated to match the orientation of the UPS. To rotate, first carefully insert a small tool into the slots located on the each side of the LCD. Remove the LCD from the UPS housing, then rotate and press it back into place.



CAUTION: To safely balance the UPS in a vertical position, make sure the LCD is located at the top of the front panel.

2 Connect a user-supplied power cord* to the UPS, then plug the UPS into a wall outlet.**

After plugging the UPS into a wall outlet, push the ON/OFF button for one second to turn on the UPS (see **Basic Operation** section for more information).

Note: The UPS will not turn on automatically in the presence of live utility power.

*The UPS system does not include an input power cord. The user-supplied power cord should have an IEC-320 C13 connector (commonly found on detachable power cords for desktop computers) to connect to the AC input of the UPS.

**Use an outlet that does not share a circuit with a heavy electrical load, such as an air conditioner or refrigerator.

3 Plug equipment into the UPS.

Insert the female connectors of the detachable power cords that shipped with the UPS system into the attached equipment's AC inputs. Insert the male connectors into any of the UPS system's available outlets.

The UPS is designed to support electronic equipment only. Connected equipment will overload the UPS if the total VA ratings for all the equipment connected to the outlets exceeds the UPS Output Capacity. To find VA ratings, look at equipment nameplates. If the equipment is listed in amps, multiply the number of amps by 230 volts to determine VA. (Example: 1 amp × 230 volts = 230 VA). If unsure whether the outlets are overloaded, run a self-test (see MUTE/TEST Button description for more information).

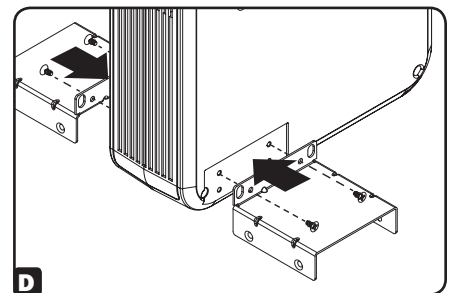
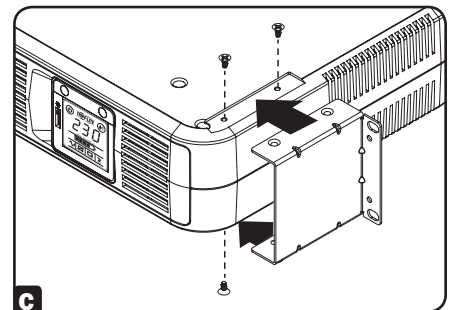
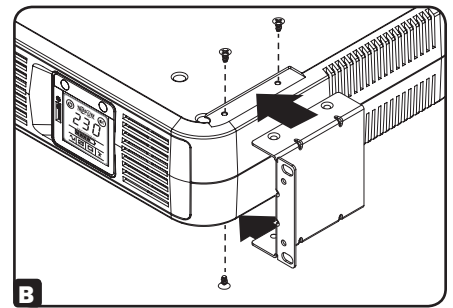
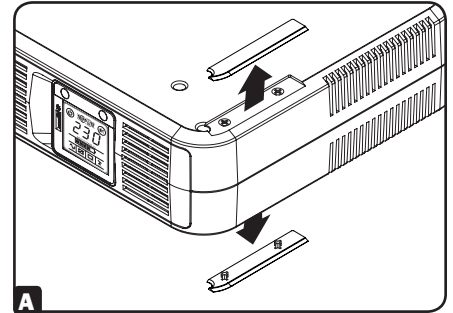
4 Optional – Connect Communication Cables.

The UPS includes USB and RS-232 communication ports, as well as Tel/DSL/Ethernet surge protection jacks. These connections are optional, and the UPS will function properly without these connections.

Not compatible with PoE (Power over Ethernet) applications.





CAUTION: The UPS must be plugged into a live AC outlet and powered on for 24 hours after initial installation to fully charge the internal battery. Connected equipment will receive utility-supplied AC power (if present) immediately after the UPS is plugged in and turned on, but connected equipment will not receive full battery backup in the event of a blackout or severe brownout, unless the internal battery is fully charged.



Basic Operation




UPS ON/OFF

- **Plug the UPS into a grounded outlet.**
- **Turn the UPS on:** Press and hold the  button for 2 seconds. The UPS alarm will beep once briefly after 2 seconds have passed.
- **Plug equipment into the UPS:** Your UPS is designed to support electronic equipment only. You will overload the UPS if the total VA ratings for all the equipment you connect to the “Battery, Surge and Noise Protected” outlets exceeds the UPS’s Output Capacity. To estimate your equipment’s power requirements, look on the nameplate. If the equipment is listed in amps, multiply the number of amps by 230 to determine VA, (Example: 1 amp x 230 = 230 VA). Your UPS is fully loaded when the display indicates 100% load.
- **Turn the UPS off:** Press and hold the  button for 2.5 seconds. The UPS alarm will beep once after 2.5 seconds have passed.

LCD

The LCD indicates a variety of UPS operational conditions. All descriptions apply when the UPS is plugged into an AC outlet and turned on. The LCD can be rotated for easy viewing, regardless of whether the UPS is in a horizontal or vertical (“tower”) position. To rotate the display, insert a small tool in the slots on the sides of the display to pop it out of the UPS housing; rotate the display, and snap it back into the UPS housing.

LCD Features

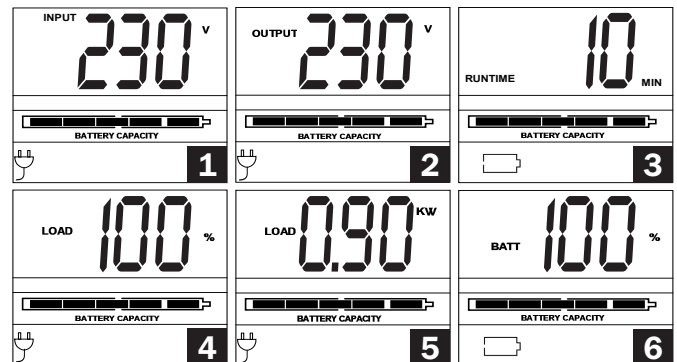
Tap the  button to advance from one display to the next. Use the  button to toggle settings for Power Sensitivity Control, External Battery Setting Control, Scroll Control, Alarm, LCD Brightness and Self-test functions. The last option displayed before navigating away from this menu option will be the selected setting. When the preferred setting has been selected, continue by pressing the  button. If the screen is idle for 20 seconds, the LCD will return to the home screen, retaining the last selected settings.

Display Power Conditions




Use the  button to advance through power conditions.

1. Voltage In
2. Voltage Out
3. Estimated Runtime (in minutes)
4. Load %
5. Load Wattage*
6. Battery Capacity %



* Load Wattage is displayed in watts up to “999”, and then will be displayed in Kilowatts.



Enable/Disable Alarm



Tap the  button repeatedly to advance to the LCD screen featuring the  icon. Press the  button to select ON or OFF alarm mode settings. The last option displayed before navigating away from this menu option will be the selected setting.

LCD Brightness

Tap the  button repeatedly to advance to the LCD Brightness screen marked “LCD”. Press the  button to select Medium Backlight (default), High Backlight or Dim Backlight. The last option displayed before navigating away from this menu option will be the selected setting.

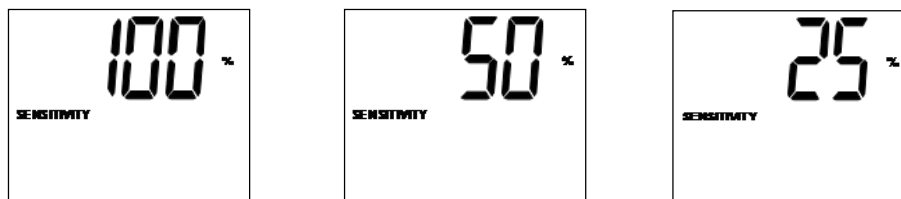
Note: After 2 minutes of inactivity, the backlight will revert to the Dim setting until a button is pressed.


Self-test

Tap the  button repeatedly to advance to the TEST BATT screen. Press the  button to initiate the test. The test will last approximately 10 seconds as the UPS switches to battery to test the capacity with a load. Upon completion of the test, the screen will indicate PAS or BAD (pass or bad) for 20 seconds, then return to the home screen. Connected equipment can remain on during the test. Do not unplug your UPS, this will remove safe electrical grounding.

Power Sensitivity

Tap the  button repeatedly to advance to Sensitivity screen, as shown here:



Press the  button to advance through the options. The last option displayed, before navigating away from this menu option, will be the selected setting.

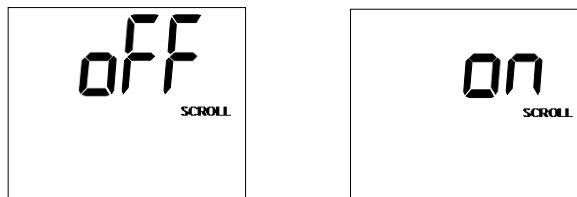
Basic Operation


This setting is normally set to 100%, which enables the UPS to protect against waveform distortions in its AC input. When such distortion occurs, the UPS will normally switch to providing PWM sine wave power from its battery reserves for as long as the distortion is present. In some areas with poor utility power or where the UPS's input power comes from a backup generator, frequent brownouts and/or chronic waveform distortion could cause the UPS to switch to battery too often, draining its battery reserves. You may be able to reduce how often your UPS switches to battery due to waveform distortion or brownouts by experimenting with different settings. As the setting is reduced, the UPS becomes more tolerant of variations in its input power's AC waveform.

Note: When experimenting with different settings, operate connected equipment in a safe test mode so that the effect on the equipment of any waveform distortions in the UPS's output can be evaluated without disrupting critical operations. The experiment should last long enough to assure that all expected line conditions are encountered.

Scroll Control

Tap the  button repeatedly to advance to the Scroll screen as shown here:



Press the  button to advance to the next available option. The last option displayed, before navigating away from this menu option, will be the selected setting.

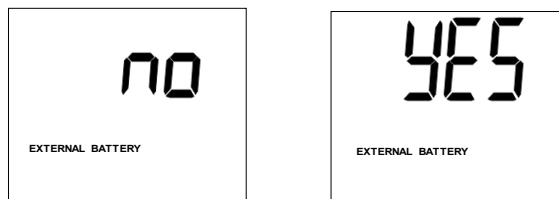
This display option allows the user to select the option to automatically scroll each operating condition of the UPS (such as Input Voltage, Output Voltage and Runtime) automatically.


Notes:

- 1. Each condition is displayed in 2 second intervals.
- 2. If a button is pressed while Scroll Mode is enabled, the scroll function will pause for 10 seconds to allow the user to manually make menu selections.

External Battery Setting Control (XL model only)

Tap the  button repeatedly to advance to the External Battery screen, as shown here:








Press the  button to advance to the next available option. The last option displayed, before navigating away from this menu option, will be the selected setting.

Note: The Battery Runtime calculation is based on this setting.

This feature setting allows the user to configure the UPS for use with an External Battery Pack or without an External Battery Pack. The Runtime will be automatically reconfigured.

Note: Battery Packs cannot be daisy-chained. Only one Battery Pack can be attached to the UPS.

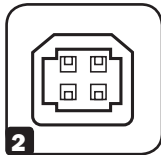
Error Messages

In the event the UPS battery requires replacement, the  icon will flash, as well as the  icon. If there is an overload, the , , and  icons will flash simultaneously along with a numeric read out of the load percentage.

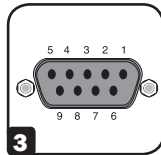
Features



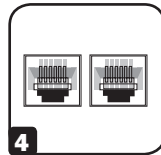
1 Battery Backup/
Surge Protected
Outlets



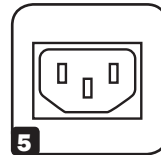
2 USB Port



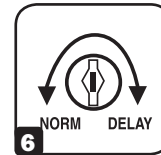
3 RS-232 Serial
Port (DB9)



4 Tel/DSL/Ethernet
Protection Jacks



5 AC input



6 Power Sensitivity
Adjustment



7 Circuit Breaker

- 1 Battery Backup/Surge Protected Outlets:** These IEC-320 C13 outlets provide both battery backup and surge protection. Plug a computer, monitor and other critical equipment into these outlets.

 **Do not plug laser printers into these outlets.**

- 2 USB Communication Port:** This port connects the UPS to any computer for automatic file saves and unattended shutdown in the event of a prolonged power failure. Use with Tripp Lite's PowerAlert® Software (available as a FREE download at www.tripplite.com) and appropriate USB or DB9 cable. A USB or DB9 cable may be included with your UPS. If the appropriate cable did not come with your UPS, any user-supplied DB9 pass-through or USB cable may then be used to connect your UPS to your computer.

Notes:

- This connection is optional. The UPS will work properly without this connection.
- The UPS system provides communication compatibility with most Windows®, Macintosh® and Linux® built-in power management applications.

- 3 Contact Closure Communication (via RS-232 Port):** The RS-232 port features a contact closure communication function that can be used to communicate with connected equipment that does not support USB or RS-232 communications. When the UPS is in Normal mode, pins 1 and 9 are bridged. When the UPS is in Backup mode, pins 1 and 8 are bridged.

- 4 Tel/DSL/Ethernet Protection Jacks:** RJ45 jacks provide surge protection for a single telephone, fax, modem, DSL or Ethernet line. Connect a telephone cord or Ethernet cable from the wall jack or original data source jack directly to the Tel/DSL/Ethernet jack labeled "IN." Connect a telephone cord or Ethernet cable from the Tel/DSL/Ethernet jack labeled "OUT" directly to equipment. The UPS system must be the first item connected to the wall jack or original data-source jack. The UPS system must be plugged into a grounded AC outlet in order to provide surge protection to connected equipment. Connecting equipment to these jacks is optional. The UPS will work properly without this connection. These jacks are not compatible with PoE (Power over Ethernet) applications.

- 5 AC Input:** This IEC-320 C14 connector accepts a user-supplied power cord with a plug appropriate for utility power outlets.

- 6 Power Sensitivity Dial:** The default setting for the dial is full counterclockwise rotation. The default setting allows the UPS to protect against waveform distortions in the AC input power by switching to battery power for the duration that the problem is detected. At sites supplied by substandard utility power or generator power, chronic waveform distortion (or frequent brownouts) may cause the UPS to switch to battery too often and drain its battery reserves. It is possible to optimize the level of protection for a particular site by experimenting with sensitivity settings. As the dial is turned clockwise, the UPS becomes more tolerant of waveform variations.



WARNING: Equipment may malfunction when exposed to distorted AC waveforms. When experimenting with sensitivity settings, operate connected equipment in a safe "test mode" in order to evaluate results without disrupting critical operations. Continue testing until all expected line conditions have been encountered.

- 7 Circuit Breaker:** If the current drawn by the equipment connected to the UPS exceeds the maximum load rating for longer than a few seconds, the circuit breaker will activate and interrupt AC power to prevent possible damage to equipment. When the circuit breaker activates, its plunger will pop up. Disconnect excess equipment and allow the breaker to cool for one minute before depressing the plunger to reset the breaker.

Battery Replacement

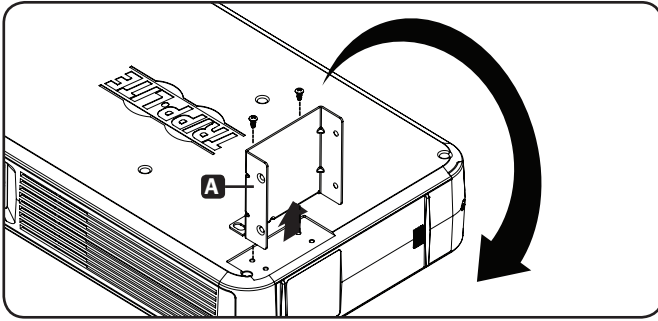
Under normal conditions, the original batteries in your UPS will last many years. See Safety section before replacing batteries. The batteries are designed for hot-swap replacement (i.e., leaving the UPS in ON mode), when positioned in a tower or shelf orientation, but some qualified service personnel may wish to put the UPS in the OFF mode and disconnect equipment before proceeding. When battery replacement is required when the UPS is mounted within a 2 or 4-post rack, it is recommend to put the UPS in the OFF mode and disconnect equipment before proceeding.

Note: Refer to the label on the battery door for the R.B.C. part number

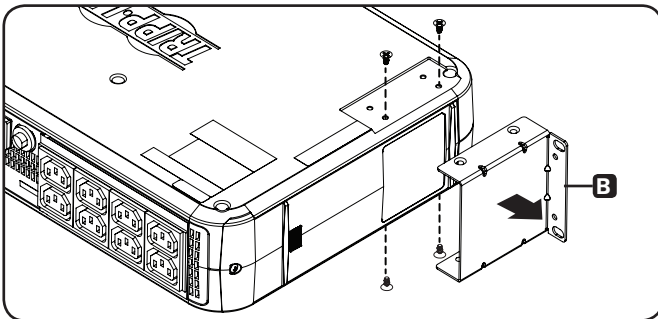
Battery Replacement Procedure

1 Remove mounting bracket.

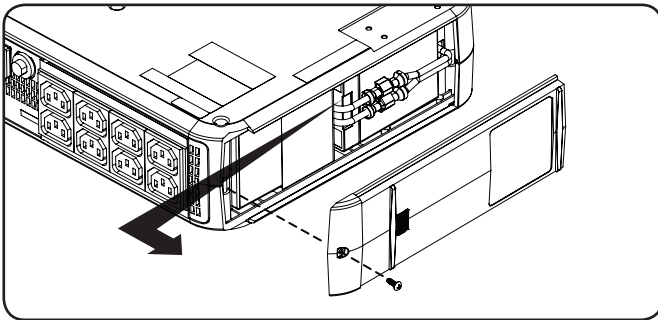
Tower Installation: Lay the UPS on its side and remove the bottom bracket **A**.



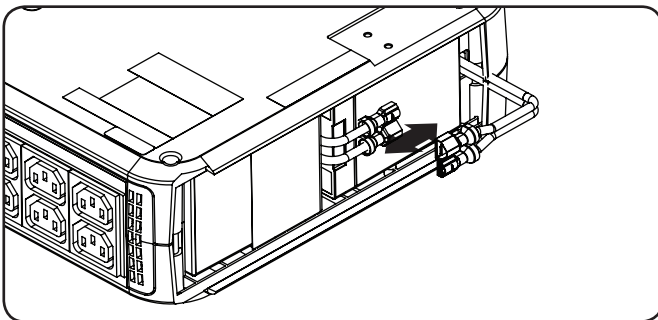
Rack Installation: Remove the UPS from the rack, then remove the left mounting bracket **B**.



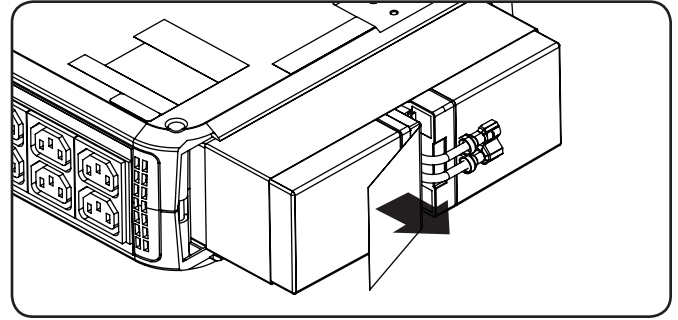
2 Remove battery door retention screw and battery door.



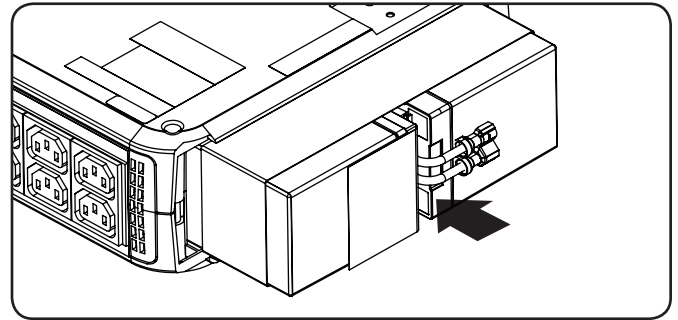
3 Disconnect batteries.



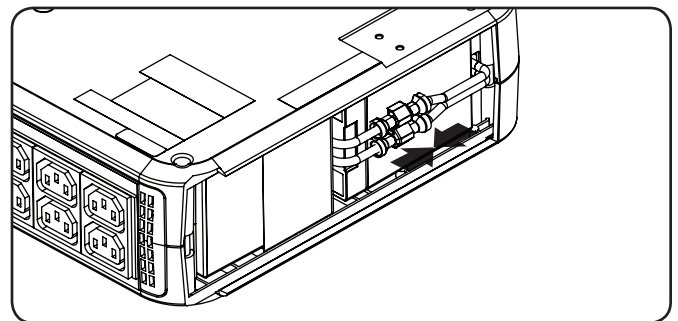
4 Remove/recycle* batteries.



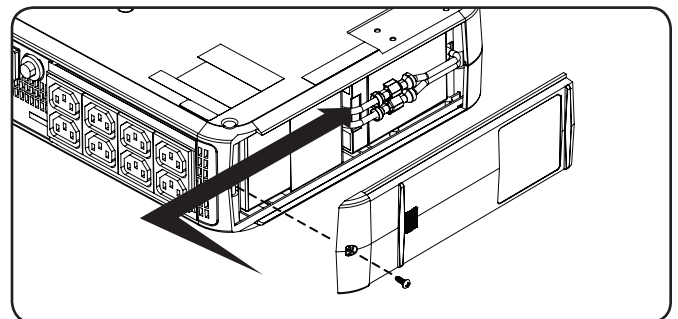
5 Install new batteries.



6 Connect batteries.



7 Replace battery door and secure retention screw.



8 Install UPS in horizontal or vertical (tower) position. Refer to Quick Installation for details.

Battery Replacement

*UPS and Battery Recycling



Please recycle Tripp Lite Products. The batteries used in Tripp Lite products are sealed Lead-Acid batteries. These batteries are highly recyclable. Please refer to local codes for disposal requirements.

Call Tripp Lite for recycling info at +1.773.869.1234.

Go to the Tripp Lite Website for up-to-date information on recycling the batteries or any Tripp Lite product. Please follow this link: <http://www.tripplite.com/support/recycling-program/>

Storage and Service

Storage

To avoid battery drain, all connected equipment should be turned off and disconnected from the UPS. Press and hold the ON/OFF button for one second. Your UPS will be completely turned off (deactivated), and will be ready for storage. If you plan on storing your UPS for an extended period, fully recharge the UPS batteries every three months. Plug the UPS into a live AC outlet, turn it on by pressing and holding the ON/OFF button for one second and allow the batteries to recharge for 24 hours. If you leave your UPS batteries discharged for a long period of time, they will suffer a permanent loss of capacity.

Service

A variety of Extended Warranty and On-Site Service Programs are also available from Tripp Lite. For more information on service, visit www.tripplite.com/support. Before returning your product for service, follow these steps:


1. Review the installation and operation procedures in this manual to insure that the service problem does not originate from a misreading of the instructions.
2. If the problem continues, do not contact or return the product to the dealer. Instead, visit www.tripplite.com/support.
3. If the problem requires service, visit www.tripplite.com/support and click the Product Returns link. From here you can request a Returned Material Authorization (RMA) number, which is required for service. This simple on-line form will ask for your unit's model and serial numbers, along with other general purchaser information. The RMA number, along with shipping instructions will be emailed to you. Any damages (direct, indirect, special or consequential) to the product incurred during shipment to Tripp Lite or an authorized Tripp Lite service center is not covered under warranty. Products shipped to Tripp Lite or an authorized Tripp Lite service center must have transportation charges prepaid. Mark the RMA number on the outside of the package. If the product is within its warranty period, enclose a copy of your sales receipt. Return the product for service using an insured carrier to the address given to you when you request the RMA.

Regulatory Compliance

Regulatory Compliance Identification Numbers

For the purpose of regulatory compliance certifications and identification, your Tripp Lite product has been assigned a unique series number. The series number can be found on the product nameplate label, along with all required approval markings and information. When requesting compliance information for this product, always refer to the series number. The series number should not be confused with the marketing name or model number of the product.

WEEE Compliance Information for Tripp Lite Customers and Recyclers (European Union)

 Under the Waste Electrical and Electronic Equipment (WEEE) Directive and implementing regulations, when customers buy new electrical and electronic equipment from Tripp Lite they are entitled to:

- Send old equipment for recycling on a one-for-one, like-for-like basis (this varies depending on the country)
- Send the new equipment back for recycling when this ultimately becomes waste

Tripp Lite has a policy of continuous improvement. Specifications are subject to change without notice. Photos and illustrations may differ slightly from actual products.



Manual del Propietario

UPS digital SMX1500LCD

Número de serie: AGSM5510

No apropiado para aplicaciones móviles.

English 1 • Français 15 • Русский 22 • Deutsch 29

Instrucciones Importantes de Seguridad

CONSERVE ESTAS INSTRUCCIONES

Este manual contiene instrucciones y advertencias que deben seguirse durante la instalación, operación y almacenamiento de todos los Sistemas UPS de Tripp Lite. La omisión en la observancia de estas advertencias puede afectar su garantía.

Advertencias para la Ubicación del UPS

- Instale su UPS en interiores, alejado de humedad o calor excesivos, contaminantes conductores, polvo o luz solar directa.
- Para mejor desempeño, mantenga la temperatura interior entre 0° C y 40° C.
- Deje espacio adecuado alrededor del UPS para una ventilación apropiada.
- No instale la unidad con su panel frontal o posterior viendo hacia abajo (en cualquier ángulo). El instalar de esta manera inhibirá seriamente el enfriamiento interno de la unidad, causando eventualmente daño al producto no cubierto por la garantía.

Advertencias para la Conexión del UPS

- Conecte su UPS directamente a una toma de corriente de CA puesta a tierra apropiadamente. No conecte el UPS a sí mismo porque se dañará.
- No modifique el enchufe del UPS ni emplee un adaptador que elimine su conexión a tierra.
- No use cordones de extensión para conectar el UPS a una toma de CA.
- Si el UPS recibe energía de un generador de CA accionado por motor, el generador debe proporcionar una salida limpia y filtrada de grado computadora.
- El tomacorriente que alimenta al UPS debe estar próximo al UPS y ser fácilmente accesible.
- Para eliminar el voltaje de CA del UPS, extraiga la clavija del tomacorrientes.

Advertencias para la Conexión del Equipo

- No se recomienda el uso de este equipo en aplicaciones de soporte de vida en donde la falla de este equipo pueda consecuentemente causar la falla del equipo de soporte de vida o afectar significativamente su seguridad o efectividad.
- No conecte supresores de sobretensiones o cables de extensión a la salida de su UPS. Esto puede dañar al UPS y afectar las garantías del supresor de sobretensiones y del UPS.

Advertencias de la Batería

- Su UPS no requiere ningún mantenimiento de rutina. No lo abra por ningún motivo. No hay partes en su interior que requieran mantenimiento por parte del usuario.
- Las baterías pueden presentar un riesgo de descarga eléctrica y quemaduras por la alta corriente de corto circuito. Observe las precauciones apropiadas. No deseche las baterías en un fuego. No abra el UPS o las baterías. No ponga en corto o puentee las terminales de la batería con objeto alguno. Desenchufe y apague el UPS antes de ejecutar el reemplazo de la batería. Use herramientas con mangos aislados. No hay partes dentro del UPS a las que el usuario pueda dar servicio. El reemplazo de la batería debe realizarlo sólo personal de servicio autorizado usando el mismo número y tipo de baterías (Plomo-Ácido Selladas). Las baterías son reciclables. Para información sobre el reciclado, refiérase a sus códigos locales para los requisitos de desecho o visite <http://www.tripplite.com/support/recycling-program>. Tripp Lite ofrece una línea completa de Cartuchos de Batería de Repuesto (R.B.C.) para Sistema UPS. Visite Tripp Lite en el sitio <http://www.tripplite.com/products/battery-finder/> para determinar la batería de repuesto específica para su UPS.
- No trate de agregar baterías externas al UPS.



1111 W. 35th Street, Chicago, IL 60609 EE. UU. • www.tripplite.com/support

Copyright © 2019 Tripp Lite. Todos los derechos reservados.

Instalación rápida

1 Coloque el UPS en una posición horizontal o vertical (torre).

Para instalar el UPS en un rack de 4 postes o de 2 postes, quite las tapas de los orificios de instalación de los costados superior e inferior del UPS **A**. Para instalar el UPS en un rack de 4 postes, fije las orejas de instalación en cada lado del UPS con los accesorios incluidos **B**. Para instalar el UPS en un rack de 2 postes, fije las orejas de instalación en cada lado del UPS con los accesorios incluidos **C**. Con la ayuda de un asistente (si es necesario), levante el UPS y colóquelo en un rack estándar con los accesorios suministrados por el usuario.



Precaución: Si se instala el UPS en un rack, deje al menos 2 cm de holgura arriba y debajo de la unidad. Si se coloca el UPS sobre una superficie plana, no apile algún otro objeto directamente sobre la unidad.

El UPS se mantendrá en posición de torre sin ayuda de los accesorios incluidos. Para mayor estabilidad,

Tripp Lite recomienda instalar los accesorios incluidos como se muestra en el diagrama **D**. Antes de la instalación en cualquier posición, el usuario debe determinar que los accesorios y procedimientos sean los adecuados.

Nota: El UPS y los accesorios incluidos están diseñados para tipos comunes de racks y pueden no ser apropiados para todas las aplicaciones.

La pantalla LCD puede girarse para coincidir con la orientación del UPS. Para girarla, primero inserte cuidadosamente una herramienta pequeña en las ranuras ubicadas en cada costado del LCD. Retire el LCD del gabinete del UPS, entonces gírelo y presionelo nuevamente en su sitio.



PRECAUCIÓN: Para balancear con seguridad el UPS en una posición vertical, asegúrese de que el LCD esté colocado en la parte superior del panel frontal.

2 Conecte un cable de alimentación* suministrado por el usuario en el UPS, después enchufe el UPS en un tomacorriente en la pared.**

Después de enchufar el UPS en una toma en la pared, oprima por un segundo el botón ON/OFF para encender el UPS (vea la sección de **Operación Básica** para más información).

Nota: El UPS no encenderá automáticamente en presencia de energía activa de la red pública.

*El sistema UPS no incluye un cable de alimentación. El cable de alimentación suministrado por el usuario debe tener un conector IEC-320 C13 (encontrado normalmente en cables de alimentación desprendibles para computadoras de escritorio) para conectar a la entrada de CA del UPS.

**Use un tomacorriente que no comparta un circuito con una carga eléctrica pesada, como un aire acondicionado o refrigerador.

3 Enchufe el equipo en el UPS.

Inserte los conectores hembra de los cables de alimentación desprendibles que se embarcan con el sistema UPS en las entradas de CA de los equipos conectados. Inserte los conectores macho en cualquiera de los tomacorrientes disponibles del sistema UPS.

El UPS está diseñado para soportar solamente equipo electrónico. El equipo conectado sobrecargará el UPS si el valor total en VA para todo el equipo que conecte a los tomacorrientes excede la capacidad de salida del UPS. Para localizar los valores de VA, consulte las placas de identificación del equipo. Si el equipo está especificado en amperes, multiplique el número de amperes por 230 volts para determinar VA. (Ejemplo: 1 amp × 230 volts = 230 VA). Si no está seguro si las salidas están sobrecargadas, ejecute un auto-diagnóstico (para más información, vea la descripción de Botón MUTE/TEST).

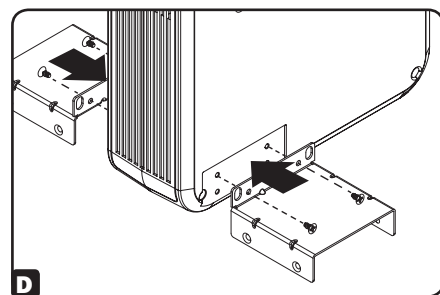
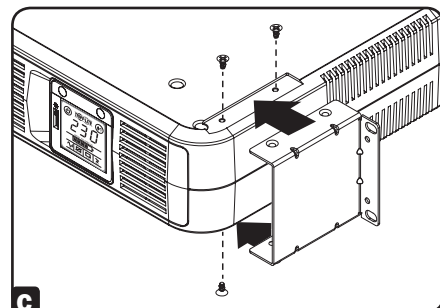
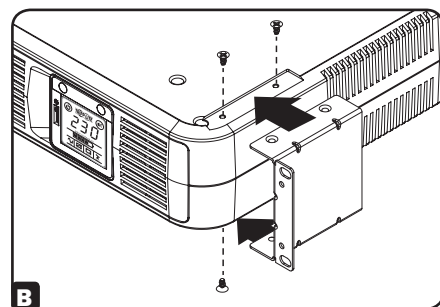
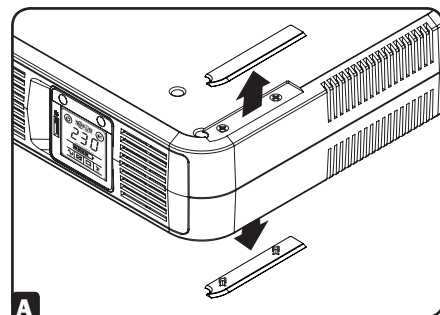
4 Opcional – Conecte los Cables de Comunicación.

El UPS incluye puertos de comunicación USB y RS-232, así como conectores con protección contra sobretensiones Tel / DSL / Ethernet. Estas conexiones son opcionales y el sistema UPS trabajará correctamente sin estas conexiones.

No compatible con aplicaciones de PoE (Energía sobre la Ethernet).





PRECAUCIÓN: El UPS debe ser enchufado en un tomacorriente AC y encendido durante 24 horas después de la instalación inicial para cargar completamente la batería interna. El equipo conectado recibirá energía de CA suministrada por la red del servicio público (si existe) inmediatamente después de que el UPS esté enchufado y encendido, pero los equipos conectados no recibirán respaldo completo de batería en caso de un apagón o baja de voltaje severa, a menos que la batería interna esté completamente cargada.



Operación Básica




Encendido/Apagado de UPS

- **Conecte el sistema UPS en una salida puesta a tierra.**
- **Encienda el UPS:** Oprima y sostenga el botón  durante 2 segundos para encender el UPS. La alarma del UPS sonará una vez brevemente después de 2 segundos.
- **Conecte su equipo al UPS:** Su UPS está diseñado para soportar solamente equipo electrónico. El UPS se sobrecargará si el valor nominal de VA para todos los equipos que conecte a los tomacorrientes marcados “Battery, Surge and Noise Protected” (protegido por batería, contra sobretensiones y ruido) excede la capacidad de salida del UPS. Para calcular los requerimientos de energía de sus equipos, consulte en las placas de identificación. Si el equipo está especificado en amperes, multiplique el número de amperes por 230 para determinar los VA, (Ejemplo: 1 amp x 230 = 230 VA). Su UPS está totalmente cargado cuando la pantalla indica 100% de carga.
- **Apagado el UPS:** Oprima y sostenga el botón  durante 2.5 segundos.

Pantalla LCD

La pantalla LCD indica diferentes condiciones de operación del UPS. Todas las descripciones se aplican cuando el UPS está conectado a una salida de CA y encendido. La pantalla LCD puede ser girada para mejor visualización, ya sea que el UPS esté en posición horizontal o vertical (“torre”). Para girar la pantalla: Introduzca una pequeña herramienta en las ranuras en los lados de la pantalla y retírela de la caja del UPS; gire la pantalla, y colóquela a presión nuevamente en la caja del UPS.

Características de LCD

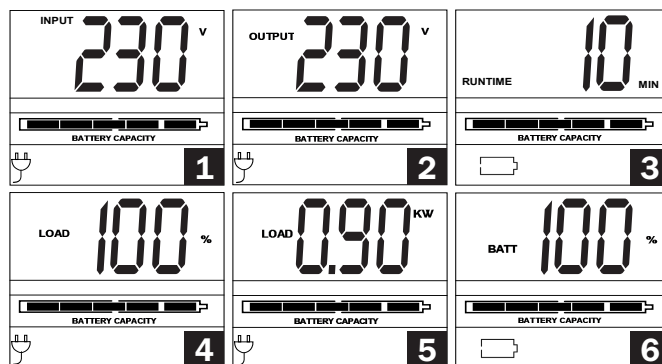
Oprima brevemente el botón  para avanzar de una pantalla a la siguiente. Use el botón  para cambiar los ajustes de las funciones de Sensibilidad de Potencia, Calibraciones de Baterías Externas, Control de Desplazamiento de Pantallas, Autodiagnóstico, Alarma, y Brillo de LCD. La última opción mostrada antes de que la navegación salga de esta opción de menú será el ajuste seleccionado. Cuando se ha seleccionado el ajuste deseado, continúe oprimiendo brevemente el botón . Si la pantalla permanece inactiva por 20 segundos, el LCD regresará a la pantalla de inicio, reteniendo los últimos ajustes seleccionados.

Muestra las Condiciones de Energía




Use el botón  avanzar a través de las condiciones de energía.

1. Voltaje de Entrada
2. Voltaje de Salida
3. Tiempo de Autonomía Estimado (en minutos)
4. % de Carga
5. Watts de Carga*
6. % de Capacidad de Batería



* La potencia de Carga se despliega en vatios (W) hasta 999 y después se desplegará en kilovatios (KW).



Alarma Activada/Desactivada



Oprima brevemente el botón  para avanzar la pantalla de LCD presentando el icono . Oprima el botón  para cambiar entre los ajustes de modo de alarma ON o OFF (Encendido o Apagado). La última opción mostrada antes de que la navegación salga de esta opción de menú será el ajuste seleccionado.

Brillo de LCD

Oprima brevemente el botón  para avanzar a la pantalla de Brillo de LCD marcado “LCD”. Oprima el botón  para cambiar entre Retroiluminación Media, predeterminada, Retroiluminación Alta y Retroiluminación Tenue.

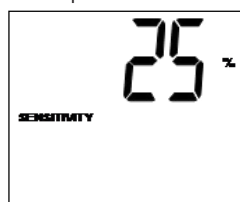
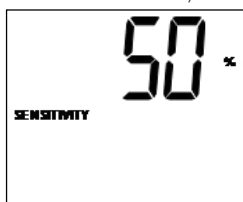
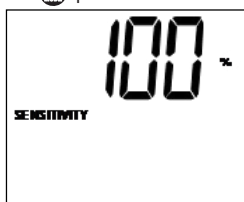
Nota: Después de 2 minutos de inactividad, la reiluminación regresará a Retroiluminación Tenue hasta que se oprima un botón.

Autodiagnóstico


Oprima brevemente el botón  para avanzar a la pantalla TEST BATT. Oprima el botón  para comenzar el diagnóstico. El diagnóstico durará aproximadamente 10 segundos a medida que el UPS cambia a batería para probar la capacidad de la batería con una carga. Una vez terminado el diagnóstico, la pantalla indicará PAS o BAD (Aprobado o Malo) por 20 segundos, después regresa a la pantalla inicial. El equipo conectado puede permanecer encendido durante el diagnóstico. No desconecte su UPS, esto eliminará la conexión eléctrica a tierra de seguridad.

Sensibilidad de Potencia

Toque repetidamente el botón  para avanzar hasta la pantalla de Sensibilidad, como se muestra aquí:



Operación Básica

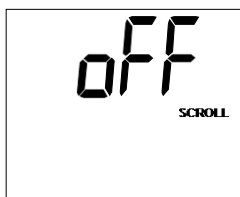
Oprima el botón  para avanzar a través de las opciones. La última opción mostrada antes de que la navegación salga de esta opción de menú será el ajuste seleccionado.

Esta calibración está establecida normalmente al 100%, lo que permite al UPS proteger contra distorsiones de forma de onda en su entrada de corriente alterna. Cuando ocurren dichas distorsiones, normalmente el UPS conmutará para proporcionar una onda sinusoidal PWM de energía de sus baterías de reserva por tanto tiempo como la distorsión continúe. En algunas áreas con un suministro de energía de la red de baja calidad, o donde la energía de entrada del UPS provenga de un generador de respaldo, las frecuentes bajas de voltaje y/o la crónica distorsión de la forma de onda, pueden causar que el UPS conmute a alimentación por baterías con demasiada frecuencia, agotando sus baterías de reserva. Es posible reducir la frecuencia con que su UPS conmuta a baterías debido a la distorsión de la forma de onda o a bajas de voltaje, experimentando con diferentes ajustes. Cuando la calibración se reduce, el UPS se vuelve más tolerante a las variaciones en la forma de onda de la corriente alterna de entrada.

Nota: Al experimentar con diferentes ajustes, opere el equipo conectado en un modo de prueba seguro, de modo que el efecto de cualquier distorsión de la forma de onda en la salida del UPS sobre el equipo pueda evaluarse sin desestabilizar ninguna operación crítica. La prueba debe durar lo suficiente para asegurar que se encuentren todas las condiciones de línea esperadas.

Control de Desplazamiento de Pantallas

Toque repetidamente el botón  para avanzar hasta la pantalla de desplazamiento de pantallas (Scroll), como se muestra aquí:



Oprima el botón  para avanzar a la siguiente opción disponible. La última opción mostrada antes de que la navegación salga de esta opción de menú será el ajuste seleccionado.

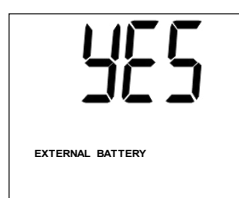
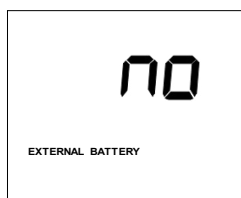
Esta opción de pantalla permite al usuario seleccionar la opción para desplazar automáticamente cada condición de operación del UPS (Como Tensión de Entrada, Tensión de Salida y Tiempo de Operación).

Notas:

1. Cada condición es mostrada en intervalos de 2 segundos.
2. Si se oprime un botón mientras está activado el modo de desplazamiento de pantallas (Scroll), la función de desplazamiento de pantallas se detendrá por 10 segundos para permitir al usuario efectuar manualmente las selecciones de menú.

Control de Calibraciones de Baterías Externas (modelo XL solamente)

Toque repetidamente el botón  para avanzar hasta la pantalla de Batería Externa, como se muestra aquí:





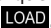

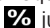
Oprima el botón  para avanzar a la siguiente opción disponible. La última opción mostrada antes de que la navegación salga de esta opción de menú será el ajuste seleccionado.

Nota: El cálculo de tiempo de operación de la batería está basado en esta calibración.

Esta calibración de la función permite al usuario configurar el UPS para usarse con un Módulo Externo de Baterías o sin un Módulo Externo de Baterías. El tiempo de operación se reconfigurará automáticamente.

Nota: Los módulos de baterías no se pueden encadenar en margarita. Sólo se puede conectar un módulo de baterías al UPS.

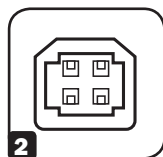
Mensajes de Error

En caso de que el UPS requiera reemplazo, el icono  destellará, así como el icono . Si existe una sobrecarga, destellarán simultáneamente los iconos , , y  junto con una lectura numérica del porcentaje de carga.

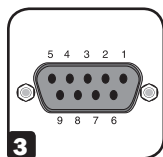
Características



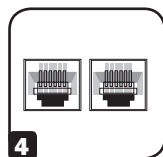
1 Tomacorrientes Respaldados por Batería / Protegidos contra Sobretensiones



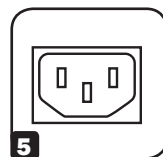
2 Puerto de Comunicación USB



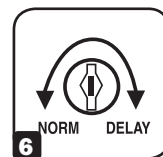
3 Comunicación por Cierre de Contactos (mediante Puerto RS-232)



4 Enchufes con Protección para Tel / DSL / Ethernet



5 Entrada de CA



6 Botón Selector de Sensibilidad de Energía



7 Breaker

1 Tomacorrientes Respaldados por Batería / Protegidos contra Sobretensiones: Estos tomacorrientes IEC-320 C13 proporcionan respaldo por batería y protección contra sobretensiones. Enchufe una computadora, monitor y otro equipo crítico en estos tomacorrientes.

⚠ No enchufe impresoras láser en estos tomacorrientes.

2 Puerto de Comunicación USB: Este puerto conecta el UPS a cualquier computadora para guardado automático de archivos y apagado sin supervisión en caso de una falla prolongada de energía. Use con el Software PowerAlert® de Tripp Lite (disponible como descarga GRATUITA en www.tripplite.com) y el cable USB o DB9 apropiado. Con su UPS puede estar incluido un cable USB o DB9. Si el cable apropiado no viene con su UPS, puede usarse cualquier cable DB9 de paso directo o USB suministrados por el usuario para conectar a su computadora.

Notas:

- Esta conexión es opcional. El UPS trabajará correctamente sin esta conexión.
- El sistema UPS proporciona compatibilidad de comunicación con la mayoría de las aplicaciones integradas de administración de energía de Windows®, Macintosh® y Linux®.

3 Comunicación por Cierre de Contactos (mediante Puerto RS-232): El puerto RS-232 cuenta con una función de comunicación por cierre de contactos que puede usarse para comunicarse con el equipo conectado que no soporte comunicaciones por USB o RS-232. Cuando el UPS está en modo Normal, los pines 1 y 9 están puenteados. Cuando el UPS está en modo de Respaldo por Batería, los pines 1 y 8 están puenteados.

4 Enchufes con Protección para Tel / DSL / Ethernet: Los enchufes RJ45 proporcionan protección contra sobretensiones para una sola línea de teléfono, fax, módem, DSL o Ethernet. Conecte un cable de teléfono o cable de Ethernet desde el enchufe de la pared o enchufe de la fuente original de datos al conector de Tel / DSL / Ethernet etiquetado "IN" [Entrada]. Conecte un cable de teléfono o cable de Ethernet desde el enchufe de Tel / DSL / Ethernet etiquetado "OUT" [Salida] directamente al equipo. El sistema UPS debe ser el primer dispositivo conectado al enchufe de la pared o enchufe de la fuente original de datos. El sistema UPS debe enchufarse a un tomacorrientes de CA aterrizado a fin de proporcionar protección contra sobretensiones al equipo conectado. La conexión del equipo a estos conectores es opcional. El UPS trabajará correctamente sin esta conexión. Estos enchufes no son compatibles con aplicaciones de PoE (Energía sobre la Ethernet).

5 Entrada de CA: Este conector IEC-320 C14 acepta un cable de alimentación con clavija suministrado por el usuario apropiado para tomacorrientes de energía de la red pública.

6 Botón Selector de Sensibilidad de Energía: La configuración predeterminada para el botón selector es con rotación completa en sentido opuesto al giro de las manecillas del reloj. La configuración predeterminada permite al UPS proteger contra distorsiones de la forma de onda en la alimentación de CA cambiando a energía de la batería por la duración que se detecte el problema. Todos los sitios alimentados con energía de la red pública o energía de generador por debajo de la norma, distorsión crónica de forma de onda (o caídas frecuentes de voltaje) pueden ser causa de que el UPS cambie a respaldo por batería demasiado frecuentemente y agote sus reservas de batería. Es posible optimizar el nivel de protección para un sitio en particular experimentando con ajustes de la sensibilidad. Cuando el botón selector se gira en sentido de las manecillas del reloj, el UPS se vuelve más tolerante a las variaciones de la forma de onda.



ADVERTENCIA: El equipo puede funcionar incorrectamente cuando se expone a formas de onda distorsionadas de CA.

Cuando experimente con ajustes de sensibilidad, utilice equipos conectados en un "modo de prueba" seguro a fin de evaluar los resultados sin interrumpir las operaciones críticas. Continúe probando hasta que se hayan encontrado todas las condiciones esperadas de la línea.

7 Breaker: Si la corriente consumida por los equipos conectados a la UPS excede la capacidad de carga máxima por más de algunos segundos, el breaker se activará e interrumpirá la corriente para evitar posibles daños al equipo. Cuando se active el breaker, su émbolo se extenderá. Desconecte el equipo en exceso y permita que el breaker se enfríe por un minuto antes de oprimir el émbolo para restablecer el breaker.

Reemplazo de la Batería

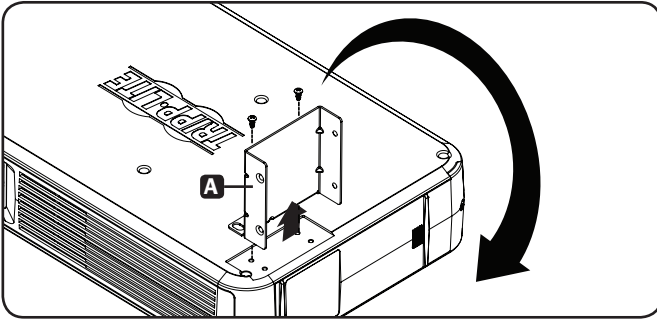
Bajo condiciones normales, las baterías originales de su UPS durarán muchos años. Antes de reemplazar las baterías, consulte la sección de Seguridad. Las baterías están diseñadas para reemplazo Hot-Swap (esto es, dejando el UPS encendido), cuando esté posicionado en una orientación de torre o repisa, pero algún personal de servicio calificado puede querer apagar el UPS y desconectar el equipo antes de proceder. Cuando se requiera reemplazar la batería y el UPS esté instalado en un rack de 2 o 4 postes, se recomienda que el UPS se apague y se desconecten los equipos antes de proceder.

Nota: Consulte la etiqueta en la puerta de la batería para ver el número de parte de R.B.C.

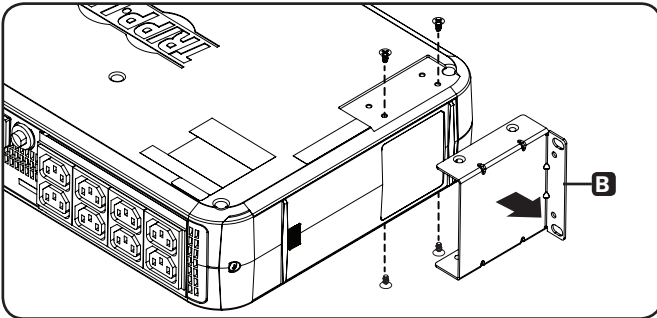
Procedimiento de Reemplazo de la Batería

1 Retire el soporte para instalación.

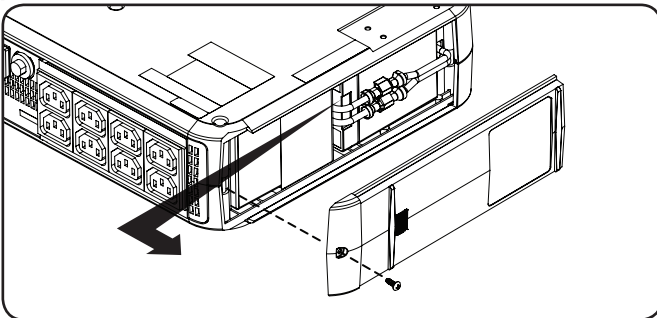
Instalación en Torre: Coloque el UPS sobre su costado y retire el soporte inferior **A**.



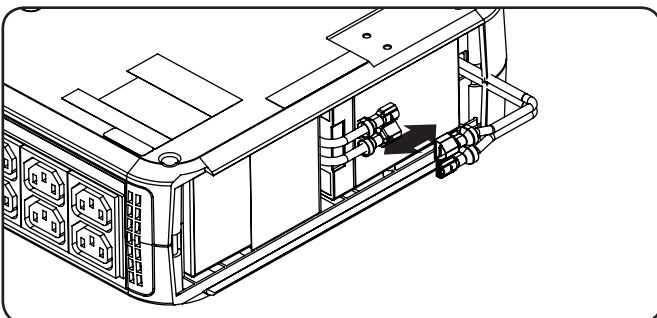
Instalación en Rack: Retire el UPS del rack y a continuación retire el soporte de instalación izquierdo **B**.



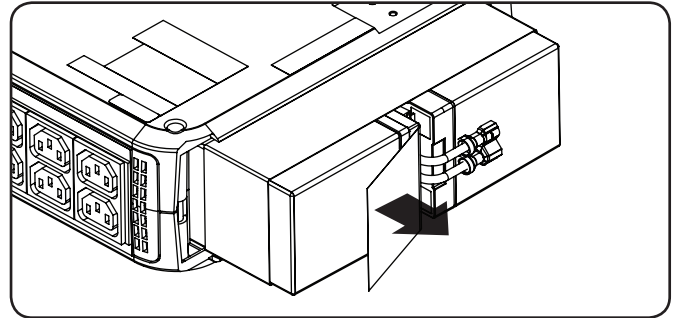
2 Quite el tornillo de sujeción de la puerta de la batería y la puerta de la batería.



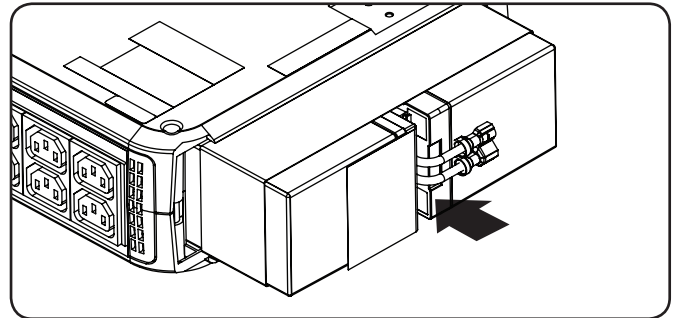
3 Desconecte las baterías.



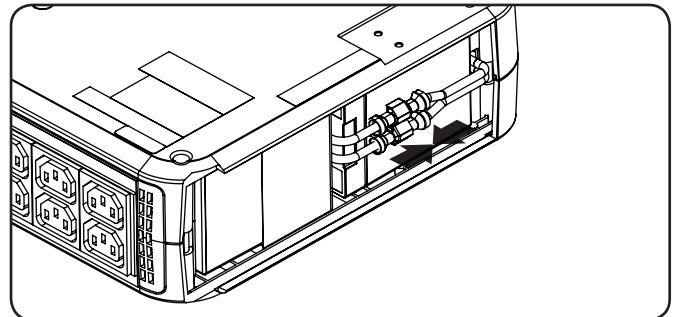
4 Retire / recicle* las baterías.



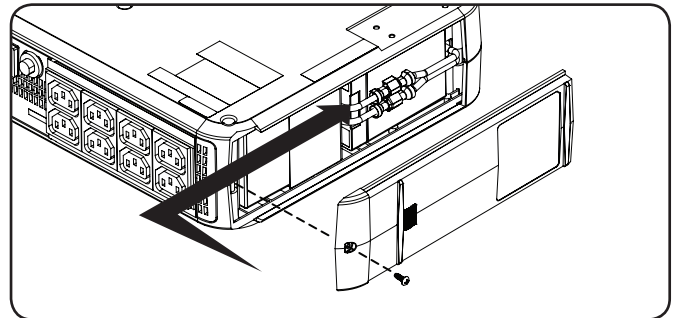
5 Instale baterías nuevas.



6 Conecte las baterías.



7 Reinstale la puerta de la batería y fije el tornillo de sujeción.



8 Instale el UPS en posición horizontal o vertical (torre). Para detalles, consulte la **Instalación Rápida**.

Reemplazo de la Batería

*Reciclaje de UPS y Baterías



Por favor recicle los productos de Tripp Lite. Las baterías usadas en los productos de Tripp Lite son baterías selladas de Plomo-Ácido. Estas baterías son altamente reciclables. Refiérase por favor a sus códigos locales para requerimientos de desecho.

Puede llamar a Tripp Lite para reciclar, información al +1.773.869.1234.

Puede acudir al sitio Web de Tripp Lite en busca de información actualizada sobre el reciclaje de baterías o cualquier producto de Tripp Lite. Siga por favor este enlace: <http://www.tripplite.com/support/recycling-program/>

Almacenamiento y Servicio

Almacenamiento

Desconecte todo el equipo de la UPS. Presione el botón CON./DESC. ON/OFF de la UPS para un segundo o más – esto desactivará la UPS. La UPS es lista ahora para el almacenaje. Si la UPS está en el almacenaje por un período del tiempo extendido, recargue las baterías totalmente cada tres meses. Para recargar las baterías totalmente: (1) conecta la UPS con un enchufe eléctrico, (2) prensa el botón CON./DESC. ON/OFF para un segundo o más, (3) recarga las baterías por 24 horas. Si las baterías siguen siendo descargado por un período del tiempo extendido, perderán capacidad permanentemente.

Servicio técnico

Tripp Lite también pone a su disposición una variedad de Garantías extendidas y Programas de servicio técnico en el sitio. Si desea más información sobre el servicio técnico, visite www.tripplite.com/support. Antes de devolver su producto para servicio técnico, siga estos pasos:

1. Revise la instalación y los procedimientos de operación que se encuentran en este manual para asegurarse de que el problema de servicio no se debe a una mala lectura de las instrucciones.
2. Si el problema persiste, no se comunique ni devuelva el producto al mayorista. En cambio, visite www.tripplite.com/support.
3. Si el problema exige servicio técnico, visite www.tripplite.com/support y haga clic en el enlace Devoluciones de productos. Desde aquí puede solicitar un número de Autorización de Material Devuelto (RMA), que se necesita para el servicio técnico. En este sencillo formulario en línea se le solicitarán los números de serie y modelo de la unidad, junto con otra información general del comprador. El número RMA y las instrucciones para el envío se le enviarán por correo electrónico. La presente garantía no cubre ningún daño (directo, indirecto, especial o consecuencial) del producto que ocurra durante el envío a Tripp Lite o a un centro de servicio técnico de Tripp Lite autorizado. Los productos enviados a Tripp Lite o a un centro de servicio técnico de Tripp Lite autorizado deben tener prepagos los cargos de transporte. Escriba el número RMA en el exterior del embalaje. Si el producto se encuentra dentro del período de garantía, adjunte una copia de su recibo de venta. Envíe el producto para servicio técnico mediante un transportador asegurado a la dirección que se le proporcionó cuando solicitó el número RMA.

Cumplimiento de las Normas

Cumplimiento de las normas de los números de identificación

Para fines de identificación y certificación del cumplimiento de las normas, su producto Tripp Lite tiene asignado un número de serie único. Puede encontrar el número de serie en la etiqueta de la placa de identificación del producto, junto con los símbolos de aprobación e información requeridos. Al solicitar información sobre el cumplimiento de las normas para este producto, siempre mencione el número de serie. El número de serie no debe ser confundido con el nombre de identificación ni con el número de modelo del producto.

Información de sobre Cumplimiento de la WEEE para Clientes de Tripp Lite y Recicladores (Unión Europea)



Según la Directiva de Residuos de Aparatos Eléctricos y Electrónicos (Waste Electrical and Electronic Equipment, WEEE) y sus reglamentos, cuando los clientes compran nuevos equipos eléctricos y electrónicos a Tripp Lite, tienen derecho a:

- Enviar equipos antiguos para reciclaje según una base de uno por uno, entre productos similares (esto varía dependiendo del país)
- Enviar el equipo nuevo de vuelta para reciclaje cuando este se convierta finalmente en desecho

Tripp Lite tiene una política de mejora continua. Las especificaciones están sujetas a cambio sin previo aviso. Las fotografías e ilustraciones pueden diferir ligeramente de los productos reales.



Manuel d'utilisation

SMX1500LCD

Systeme d'onduleur UPS numérique

Numéro de série : AGSM5510

Ne convient pas aux applications mobiles.

English 1 • Español 8 • Русский 22 • Deutsch 29

Instructions de sécurité importantes

CONSERVEZ CES INSTRUCTIONS

Ce manuel contient des instructions et des avertissements devant être suivis pour l'installation, l'utilisation et le rangement de tous les onduleurs Tripp Lite. Le non-respect de ces avertissements risque d'affecter votre garantie.

Avertissements concernant l'emplacement de l'onduleur

- Installez votre onduleur à l'intérieur et veillez à ce qu'il ne soit pas dans un endroit trop humide ou trop chaud, ou en contact avec des contaminants conducteurs, de la poussière ou la lumière directe du soleil.
- Pour des performances optimales, veillez à ce que la température intérieure soit maintenue entre 0 °C et 40 °C.
- Laissez suffisamment d'espace de chaque côté de l'onduleur pour garantir une bonne ventilation.
- Ne montez pas l'unité avec son panneau avant ou arrière orienté vers le bas (quel que soit l'angle). Le positionner de cette façon entraverait sérieusement le refroidissement interne de l'unité, ce qui pourrait causer des dommages non couverts par la garantie.

Avertissements concernant la connexion de l'onduleur

- Connectez directement votre onduleur à une prise de courant CA correctement mise à la terre. Ne branchez pas l'onduleur à lui-même, cela endommagerait l'onduleur.
- Ne modifiez pas la fiche de l'onduleur, et n'utilisez pas un adaptateur qui empêcherait la connexion à la terre de l'onduleur.
- N'utilisez pas de rallonge pour connecter l'onduleur à une prise CA.
- Si l'onduleur est alimenté par un générateur CA à moteur, le générateur doit fournir un courant filtré, de haute qualité et approprié pour les ordinateurs.
- La prise secteur utilisée pour l'alimentation de l'onduleur doit être facilement accessible et située à proximité de l'onduleur.
- Pour retirer de la tension CA de l'onduleur, débranchez la fiche de la prise secteur.

Avertissements concernant la connexion de l'équipement

- L'utilisation de ce produit avec des dispositifs de maintien en vie n'est pas recommandée dans les cas où une panne de ce produit serait susceptible d'entraîner une panne du dispositif de maintien en vie ou de nuire considérablement à sa sécurité ou à son efficacité.
- Ne pas brancher d'éliminateurs de surtension ou de cordons prolongateurs à la sortie de votre onduleur UPS. Cela pourrait endommager l'onduleur UPS et annuler les garanties de l'éliminateur de surtensions et de l'onduleur.

Avertissements concernant la batterie

- Votre onduleur UPS ne nécessite pas d'entretien de routine. N'ouvrez votre onduleur UPS sous aucun prétexte. L'utilisateur ne peut réparer aucune pièce interne.
- Les batteries peuvent présenter un risque de brûlure et de décharge électrique en raison de courants élevés de court-circuit. Observez les précautions d'usage. Ne jetez pas les batteries au feu. N'ouvrez pas l'onduleur, ni les batteries. Ne court-circuitez pas et ne reliez pas les bornes de la batterie avec un objet. Débranchez et éteignez votre onduleur avant de remplacer la batterie. Utilisez des outils à poignées isolées. Vous ne pouvez réparer aucune des pièces internes de l'onduleur. Le remplacement de la batterie doit être effectué uniquement par un professionnel de maintenance agréé utilisant des batteries en nombre et de type identiques (scellées plomb-acide). Les batteries sont recyclables. Respectez les règles locales relatives à la mise au rebut ou consultez <http://www.tripplite.com/support/recycling-program> pour en savoir plus sur le recyclage des batteries. Tripp Lite propose une gamme complète de batteries de rechange (R.B.C.). Consultez la page du site Web de Tripp Lite <http://www.tripplite.com/products/battery-finder/> pour trouver la batterie de rechange adaptée à votre onduleur.
- Ne pas essayer d'ajouter des batteries externes à votre onduleur UPS.



1111 W. 35th Street, Chicago, IL 60609 USA • www.tripplite.com/support

Copyright © 2019 Tripp Lite. Tous droits réservés.

Installation rapide

1 Placer l'onduleur dans une position horizontale ou verticale (tour).

Pour installer l'onduleur dans un bâti à 2 ou à 4 montants, retirer les couvercles des trous de montage des côtés supérieur et inférieur de l'onduleur **A**. Pour installer l'onduleur dans un bâti à 4 montants, fixer les oreilles de montage à chaque côté de l'onduleur en utilisant la quincaillerie incluse **B**. Pour installer l'onduleur dans un bâti à 2 montants, fixer les oreilles de montage à chaque côté de l'onduleur en utilisant la quincaillerie incluse **C**. Avec l'aide d'un assistant (le cas échéant), soulever l'onduleur et le fixer à un bâti standard avec la quincaillerie fournie par l'utilisateur.



Mise en garde : Si l'onduleur est installé dans un bâti, laisser un espace libre d'au moins 2 cm au-dessus et en dessous de l'appareil. Si l'onduleur est placé sur une surface à plat, ne PAS empiler d'objets directement sur l'appareil.

L'onduleur sera logé dans une position en tour sans l'aide de la quincaillerie incluse. Pour une stabilité accrue, Tripp Lite recommande de fixer la quincaillerie incluse comme illustré sur le schéma **D**. Dans l'une ou l'autre position, l'utilisateur doit déterminer l'aptitude de la quincaillerie et des procédures avant l'installation.

Remarque : L'onduleur et le matériel inclus sont conçus pour être utilisés dans des types de bâtis communs et peuvent ne pas être appropriés pour toutes les applications.

L'écran ACL peut être pivoté pour correspondre à l'orientation de l'onduleur. Pour faire pivoter l'écran, insérer d'abord délicatement un petit outil dans les fentes situées sur chaque côté de l'écran ACL. Retirer l'écran ACL du boîtier de l'onduleur, puis le pivoter et appuyer dessus pour le loger en place.



MISE EN GARDE : Pour équilibrer l'onduleur en position verticale en toute sécurité, s'assurer que l'écran ACL se trouve dans la partie supérieure du panneau avant.

2 Connecter un cordon d'alimentation fourni par l'utilisateur* à l'onduleur, puis brancher l'onduleur dans une prise murale.**

Après avoir branché l'onduleur à la prise murale, appuyer sur le bouton ON/OFF (marche/arrêt) pendant une seconde pour mettre l'onduleur sous tension (voir la section **Fonctionnement de base** pour obtenir plus de renseignements).

Remarque : L'onduleur ne se mettra pas en marche automatiquement à l'application de la tension du secteur.

*L'onduleur n'inclut pas de cordon d'alimentation d'entrée. Le cordon d'alimentation fourni par l'utilisateur devrait avoir un connecteur IEC-320 C13 (qui se trouve généralement sur les cordons d'alimentation pour les ordinateurs de bureau) afin de pouvoir être connecté à l'entrée CA de l'onduleur.

**Utiliser une prise qui ne partage pas un circuit avec une charge électrique élevée comme un climatiseur ou un réfrigérateur.

3 Brancher l'équipement à l'onduleur.

Insérer les connecteurs femelles des cordons d'alimentation amovibles expédiés avec l'onduleur dans les entrées CA de l'équipement rattaché. Insérer les connecteurs mâles dans n'importe laquelle des sorties disponibles de l'onduleur.

L'onduleur n'est conçu que pour supporter l'équipement électronique. L'équipement raccordé surchargera l'onduleur si la valeur VA nominale totale pour tout l'équipement branché aux sorties excède la capacité de sortie de l'onduleur. Pour déterminer les valeurs nominales VA de votre équipement, consulter leurs plaques signalétiques. Si la valeur est indiquée en ampères, multiplier le nombre d'ampères par 230 pour déterminer la valeur VA. (Exemple : 1 amp × 230 volts = 230 VA). En cas de doute à savoir si les sorties sont surchargées, effectuer un autotest (voir la description du bouton MUTE/TEST (sourdine/test) pour obtenir plus de renseignements).

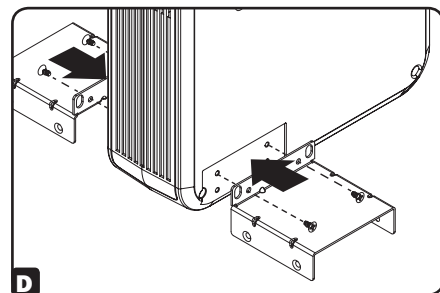
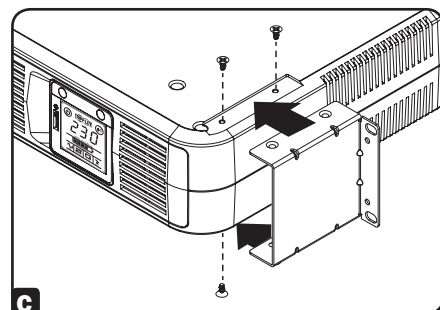
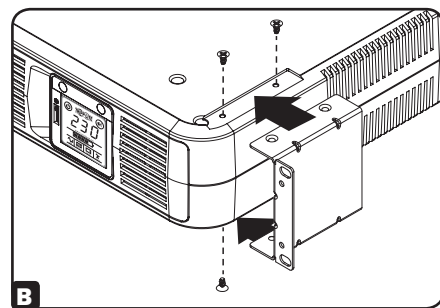
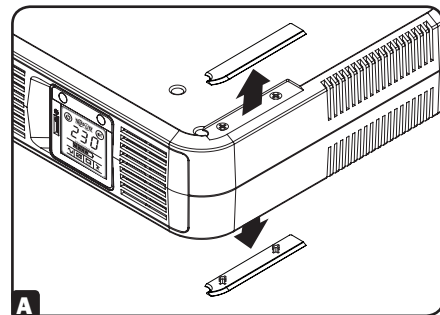
4 Facultatif – Raccorder les câbles de communication.

L'onduleur inclut des ports de communication USB et RS-232, de même que des connecteurs de protection contre les surtensions pour téléphone/DSL/Ethernet. Ces connexions sont optionnelles et l'onduleur fonctionnera correctement sans ces connexions.

Non compatible pour les applications nécessitant l'alimentation électrique par câble Ethernet (PoE).





MISE EN GARDE : L'onduleur doit être branché dans une sortie CA sous tension et alimentée pendant 24 heures après l'installation initiale pour charger à fond les batteries internes. L'équipement connecté recevra de l'alimentation CA fournie par le secteur (si présente) immédiatement une fois l'onduleur branché et sous tension, mais l'équipement connecté ne recevra pas d'alimentation de secours des batteries en cas d'une panne d'électricité ou d'une chute de tension du secteur, à moins que les batteries internes soient chargées à fond.



Fonctionnement de base




On/Off UPS

- **Branchez votre UPS dans une prise dûment mise à la terre.**
- **Mettez ensuite le système d'UPS sous tension:** Pressez et maintenez le bouton  pendant 2 secondes pour démarrer l'UPS. L'alarme de l'UPS bipera une fois brièvement après 2 secondes.
- **Branchez votre équipement dans l'UPS:** Votre UPS est conçue pour être compatible uniquement avec un équipement électronique. Vous surchargerez votre UPS si le total de la valeur nominale en VA de l'ensemble de l'équipement raccordé aux « prises de protection des batteries de secours, des surtensions et des parasites » dépasse la capacité de sortie de l'UPS. Pour connaître les exigences énergétiques de votre équipement, consultez sa plaque signalétique. Si l'équipement est affiché en ampères, multipliez le nombre d'ampères par 230 et vous obtiendrez la VA. (Exemple : 1 ampère × 230 = 230 VA). Votre UPS est complètement chargée lorsque l'affichage indique une charge de 100 %.
- **Pour éteindre l'UPS:** Appuyez sur le bouton  et maintenez-le enfoncé pendant 2,5 secondes.

Afficheur à cristaux liquides

L'afficheur à cristaux liquides indique toute une gamme de conditions opérationnelles du UPS. Toutes les descriptions des témoins lumineux s'appliquent lorsque le UPS est branché dans une prise c.a. et en marche. L'afficheur à cristaux liquides peut être pivoté pour faciliter la vision, peu importe si le UPS est en position horizontale ou verticale ("tour"). Pour faire pivoter l'afficheur : insérez délicatement un petit outil dans les fentes situées sur le côté de l'afficheur pour le faire sortir de son boîtier ; faites pivoter l'afficheur et enclenchez-le de nouveau dans le boîtier du UPS.

Caractéristiques de LCD

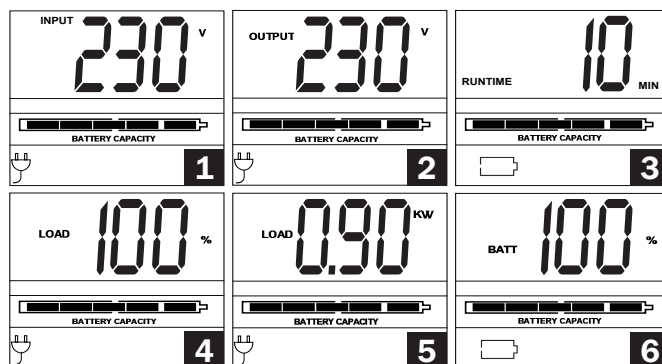
Pressez brièvement le bouton  pour passer d'un affichage à l'autre. Appuyez sur le bouton  pour basculer entre les fonctions Sensibilité à la puissance, Réglages de la batterie externe, Commande de défilement, d'Autotest, Alarme, et Luminosité du LCD. La dernière option affichée avant de quitter cette option de menu sera le réglage sélectionné. Lorsque vous avez fait votre choix, continuez en pressant brièvement le bouton . Si l'écran est inactif pendant 20 secondes, le LCD retournera à l'écran d'accueil, en sauvegardant les paramètres sélectionnés en dernier.

Afficher l'état d'alimentation




Utilisez le bouton  pour examiner l'état d'alimentation.

1. Tension entrante
2. Tension sortante
3. Temps de fonctionnement prévu (en minutes)
4. % de charge
5. Puissance de charge*
6. % de capacité de la batterie

* La puissance de la charge est affichée en watts jusqu'à « 999 », puis sera ensuite affichée en kilowatts.



Activer/Désactiver l'Alarme



Pressez brièvement le bouton  pour passer à l'icône  de l'écran LCD marqué "LCD". Appuyez sur le bouton  pour basculer entre ON (Marche) et la OFF (Arrêt) de l'alarme.

Luminosité de l'écran LCD


Utilisez brièvement le bouton  pour passer à l'affichage de luminosité de l'écran LCD. Appuyez sur le bouton  pour basculer entre un rétroéclairage moyen, élevé ou faible. La dernière option affichée avant de quitter cette option de menu sera le réglage sélectionné.

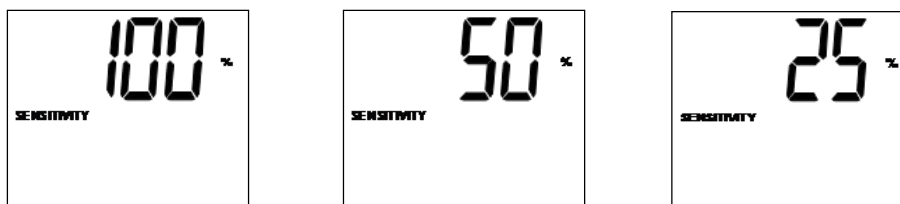
Remarque : Après 2 minutes d'inactivité, le rétroéclairage repassera en éclairage Faible jusqu'à ce qu'un bouton soit pressé.

Autotest


Pressez brièvement le bouton  pour passer à l'affichage TEST BATT. Pressez le bouton  pour commencer le test. Le test durera environ 10 secondes tandis que l'UPS passera en mode batterie pour tester la capacité de sa batterie avec une charge. À la fin de ce test, l'affichage indiquera « PAS » ou « BAD » pendant 20 secondes, puis retournera à l'écran d'accueil. L'équipement raccordé peut rester allumé pendant le test. Ne débranchez pas votre UPS ; cela supprimerait son raccordement électrique de sécurité à la terre.

Sensibilité à la puissance

Taper le bouton  à plusieurs reprises pour avancer à l'affichage « Sensitivity » (sensitivité), tel qu'illustré ici :




Fonctionnement de base

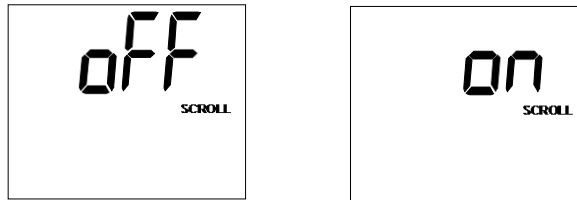
Appuyer sur le bouton  pour avancer à travers les options. La dernière option affichée avant de quitter cette option de menu sera le réglage sélectionné.


Ce réglage est normalement établi à 100 %, cela permet à l'onduleur UPS d'assurer une protection contre les distorsions de forme d'onde à son entrée de secteur. Quand une telle distorsion se produit, l'onduleur passera normalement sur l'alimentation d'onde sinusoïdale MID à partir de ses réserves de batterie, aussi longtemps que durera la distorsion. Dans les régions où l'alimentation de secteur est déficiente, ou là où l'alimentation de l'onduleur UPS provient d'une génératrice de secours, des baisses de tension fréquentes et/ou une distorsion chronique de forme d'onde peuvent entraîner un recours trop fréquent de l'onduleur aux batteries, épuisant leurs réserves. Vous pourriez être en mesure de réduire le recours de votre onduleur UPS aux batteries, dû à une distorsion de forme d'onde ou de baisses de tension, en essayant différents réglages pour ce rotateur. À mesure que ce réglage est réduit, l'onduleur UPS devient plus tolérant aux variations de forme d'onde d'alimentation du secteur.

Remarque : En essayant différents réglages de ce rotateur, faire fonctionner l'équipement en mode de test sécuritaire de façon à ce que l'effet des distorsions de forme d'onde à la sortie de l'onduleur UPS sur l'équipement puisse être évalué sans perturber les opérations critiques. Ces essais doivent durer assez longtemps pour s'assurer de vérifier toutes les conditions de secteur attendues.

Commande de défilement

Taper le bouton  à plusieurs reprises pour avancer à l'affichage « Scroll » (défilement), tel qu'illustré ici :



Appuyer sur le bouton  pour avancer à la prochaine option disponible. La dernière option affichée, avant de quitter cette option de menu, sera le réglage sélectionné.

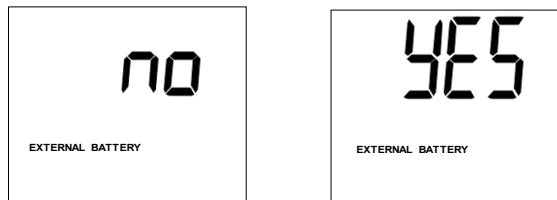
Cette option d'affichage permet à l'utilisateur de sélectionner l'option de faire défiler automatiquement chaque condition de fonctionnement du PDU (comme la tension d'entrée, la tension de sortie et le temps d'exécution) automatiquement.


Remarque :

1. Chaque condition est affichée en intervalles de 2 secondes.
2. Si un bouton est enfoncé alors que le mode « Scroll » (défilement) est activé, la fonction de défilement fera une pause de 10 secondes afin de permettre à l'utilisateur de faire des sélections de menu manuellement.

Commande de réglage de la batterie externe (modèle XL seulement)

Taper le bouton  à plusieurs reprises pour avancer à l'affichage « External Battery » (batterie externe), tel qu'illustré ici :







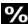
Appuyer sur le bouton  pour avancer à la prochaine option disponible. La dernière option affichée, avant de quitter cette option de menu, sera le réglage sélectionné.

Remarque : Le calcul du temps d'exécution de la batterie est basé sur ce réglage.

Le réglage de cette caractéristique permet à l'utilisateur de configurer le PDU à être utilisé avec un bloc de batteries externe ou sans bloc de batteries externe. Le temps de fonctionnement sera automatiquement configuré.

Remarque : Les blocs de batteries ne peuvent pas être montés en guirlande. Seulement un bloc de batteries peut être attaché au PDU.

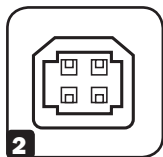
Messages d'erreur

Dans le cas où l'UPS devrait être remplacée, l'icône  clignotera, au même titre que l'icône . En cas de surcharge, les icônes , , et  clignoteront simultanément, accompagnées d'une lecture numérique de le pourcentage de charge.

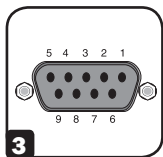
Caractéristiques



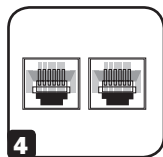
1 Sorties alimentées par des batteries de secours/protégées contre les surtensions



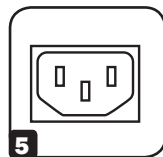
2 Port de communication USB



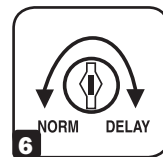
3 Communication à fermeture de contact (via le port RS-232)



4 Prises de protection pour téléphone/DSL/Ethernet



5 Entrée AC



6 Cadran de sensibilité d'alimentation



7 Disjoncteur

1 **Sorties alimentées par des batteries de secours/protégées contre les surtensions** : Ces sorties IEC-320 C13 fournissent à la fois l'alimentation de secours et une protection contre les surtensions. Brancher un ordinateur, un écran et autre équipement critique dans ces sorties.

⚠ Ne pas brancher d'imprimante au laser dans ces sorties.

2 **Port de communication USB** : Ce port peut brancher l'onduleur à n'importe quel ordinateur pour la sauvegarde automatique de fichiers et la commutation hors tension sans surveillance dans le cas d'une coupure de courant prolongée. Utiliser avec le logiciel PowerAlert® de Tripp Lite (offert GRATUITEMENT en téléchargement à www.tripplite.com) et un câble USB ou DB9 approprié. Un câble USB ou DB9 peut être inclus avec l'onduleur. Si la câble approprié n'est pas fourni avec l'onduleur, n'importe quel câble d'intercommunication DB9 ou USB fourni par l'utilisateur peut alors être utilisé pour relier l'onduleur à l'ordinateur.

Remarques :

- Cette connexion est optionnelle. L'onduleur fonctionnera correctement sans cette connexion.
- L'onduleur offre la compatibilité de communication avec la plupart des applications de gestion d'alimentation intégrées Windows®, Macintosh® et Linux®.

3 **Communication à fermeture de contact (via le port RS-232)** : Le port RS-232 comporte une fonction de communication à fermeture de contact qui peut être utilisée pour communiquer avec l'équipement connecté qui ne prend pas en charge les communications USB ou RS-232. Lorsque l'onduleur se trouve en mode Normal, les broches 1 et 9 sont pontées. Lorsque l'onduleur se trouve en mode Secours, les broches 1 et 8 sont pontées.

4 **Prises de protection pour téléphone/DSL/Ethernet** : Les prises RJ45 offrent une protection contre les surtensions pour une seule ligne de téléphone, télécopieur, modem, DSL ou Ethernet. Raccorder un cordon téléphonique ou un câble Ethernet depuis la prise murale ou la prise source des données originale directement dans la prise pour téléphone/DSL/Ethernet étiquetée « IN » (entrée). Raccorder un cordon téléphonique ou un câble Ethernet depuis la prise pour téléphone/DSL/Ethernet étiquetée « OUT » (sortie) directement à l'équipement. L'onduleur doit être le premier appareil raccordé à la prise murale ou à la prise source des données originale. L'onduleur doit être branché à une sortie CA mise à la masse afin de fournir une protection contre les surtensions à l'équipement connecté. Le branchement de l'équipement à ces prises est optionnel. L'onduleur fonctionnera correctement sans cette connexion. Ces prises ne sont pas compatibles pour les applications nécessitant l'alimentation électrique par câble Ethernet (PoE).

5 **Entrée AC** : Ce connecteur IEC-320 C14 accepte un cordon d'alimentation fourni par l'utilisateur avec une fiche appropriée pour les sorties électriques du secteur.

6 **Cadran de sensibilité d'alimentation** : Le paramètre par défaut pour le cadran est la rotation complète dans le sens contraire des aiguilles d'une montre. Le paramètre par défaut permet à l'onduleur d'offrir une protection contre les distortions harmoniques en passant à l'alimentation par batteries pendant la durée de la détection du problème. Tous les sites alimentés par le service public de qualité inférieure à la qualité standard ou par un générateur, la distortion harmonique chronique (ou des chutes de fréquence fréquentes) peuvent amener l'onduleur à passer trop souvent en mode batteries et épuiser les réserves des batteries. Il est possible d'optimiser le niveau de protection pour un site particulier en expérimentant avec les réglages de la sensibilité. Lorsque le cadran est tourné dans le sens des aiguilles d'une montre, l'onduleur devient plus tolérant aux variations.



AVERTISSEMENT : L'équipement peut mal fonctionner lorsqu'il est exposé à des formes d'onde déformées. En expérimentant avec les réglages de la sensibilité, faire fonctionner les équipements branchés en « mode de test » sécurisé afin d'évaluer les résultats sans perturber les opérations critiques. Continuer les tests jusqu'à ce que toutes les conditions de lignes prévues aient été rencontrées.

7 **Disjoncteur** : Si la charge de l'équipement connecté à l'onduleur dépasse la charge nominale maximale pendant plus de quelques secondes, le disjoncteur se déclenchera et interrompra l'alimentation CA pour éviter les dommages. Lorsque le disjoncteur se déclenche, sa tige-poussoir se déclenchera. Débrancher les appareils excédentaires et laisser le disjoncteur refroidir pendant une minute avant d'appuyer sur le bouton-poussoir pour rétablir le disjoncteur.

Remplacement des batteries

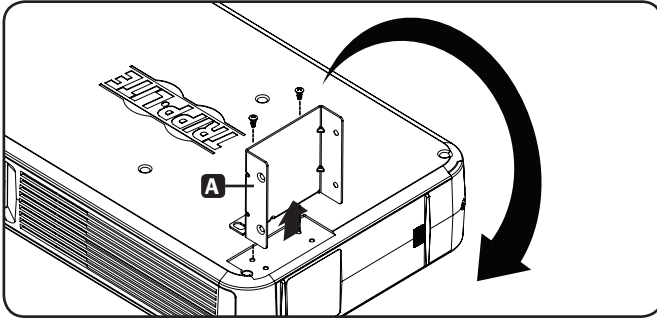
Dans des conditions normales, les batteries originales de l'onduleur dureront plusieurs années. Consulter le paragraphe relatif à la sécurité avant de remplacer les batteries. Les batteries sont conçues pour un remplacement à chaud (c.-à-d. en laissant l'onduleur en marche en mode ON (sous tension)), mais le personnel d'entretien qualifié peut souhaiter placer l'onduleur en mode OFF (hors tension) et débrancher le matériel avant de procéder au remplacement. Lorsque les batteries doivent être remplacées et que l'onduleur est monté dans un bâti à 2 ou 4 montants, il est recommandé de placer l'onduleur en mode OFF (hors tension) et débrancher le matériel avant de procéder au remplacement.

Remarque : Consulter l'étiquette sur la porte des batteries pour le numéro de pièce de référence pour la cartouche de remplacement de la batterie.

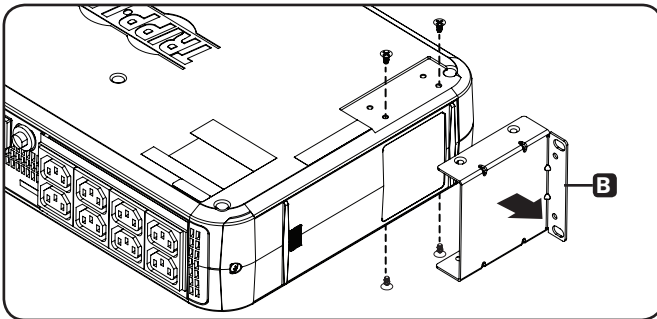
Procédure de remplacement des batteries

1 Retirer le support de montage.

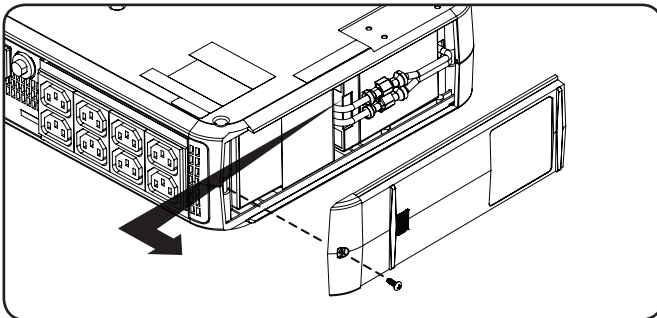
Installation en tour : Placer l'onduleur sur le côté, puis retirer le support inférieur **A**.



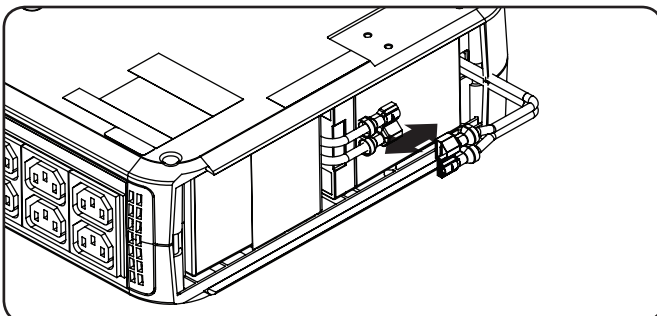
Installation en bâti : Retirer l'onduleur du bâti, puis retirer le support de montage gauche **B**.



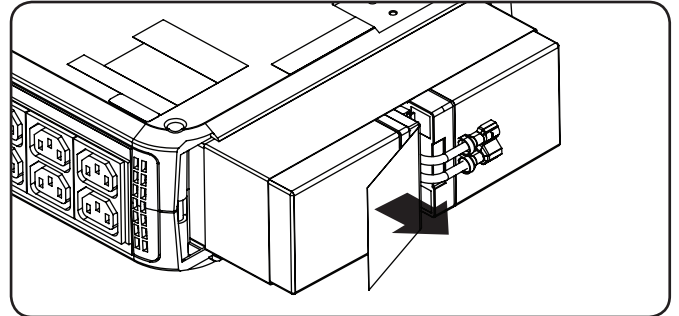
2 Retirer la vis retenant la porte des batteries, puis la porte des batteries.



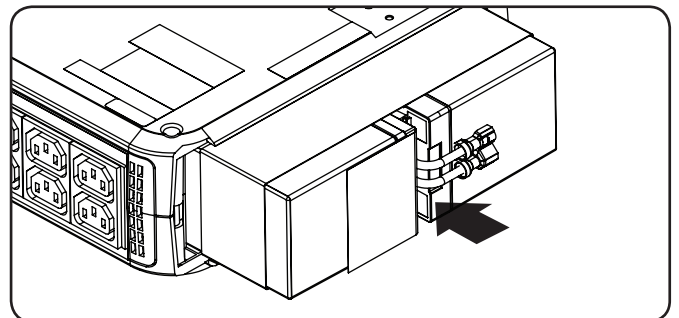
3 Débrancher les batteries.



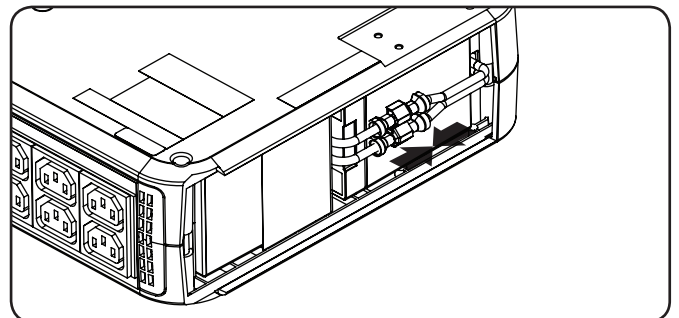
4 Retirer/recycler* les batteries.



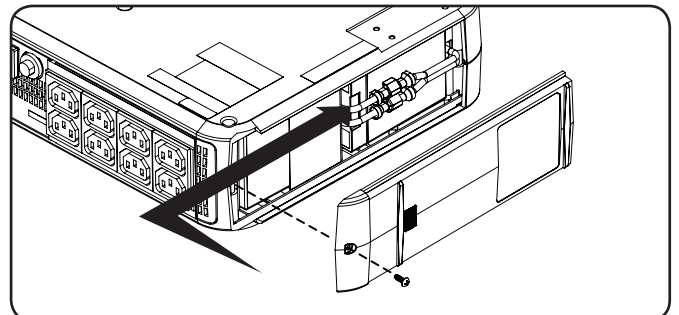
5 Installer les batteries neuves.



6 Raccorder les batteries.



7 Remettre la porte des batteries en place et serrer la vis de retenue.



8 Installer l'onduleur en position horizontale ou verticale (tour). Consulter la section **Installation rapide** pour plus de détails.

Remplacement des batteries

*Recyclage de l'onduleur et des batteries



Veillez recycler les produits Tripp Lite. Les batteries utilisées dans les produits Tripp Lite sont des batteries au plomb scellées. Ces batteries sont hautement recyclables. Se reporter aux codes locaux pour les exigences en ce qui a trait à l'élimination.

Vous pouvez appeler Tripp Lite pour des informations concernant le recyclage au +1.773.869.1234.

Vous pouvez vous rendre sur le site Web de Tripp Lite pour des informations actualisées sur le recyclage des batteries et des produits Tripp Lite. Veuillez suivre ce lien : <http://www.tripplite.com/support/recycling-program/>

Entreposage et entretien

Entreposage

Tous les équipements connectés doivent être arrêtés puis débranchés de l'onduleur UPS pour éviter de vider la batterie. Appuyer sur le bouton ON/OFF pendant une seconde. Votre onduleur sera complètement fermé (désactivé) et sera prêt pour l'entreposage. Si vous envisagez d'entrepoiser votre onduleur UPS pendant une longue période, recharger ses batteries tous les trois mois. Brancher votre onduleur UPS dans une prise de secteur active, le mettre en marche en appuyant sur le bouton ON/OFF pendant une seconde et laisser la batterie se recharger pendant 24 h. Si vous laissez vos batteries déchargées pendant une longue période, elles souffriront d'une perte permanente de capacité.

Entretien

Une variété de garantie prolongées et de programmes de service sur place sont également disponibles chez Tripp Lite. Pour plus de renseignements sur le service, visitez www.tripplite.com/support. Avant de retourner votre produit pour entretien ou réparation, suivez les étapes suivantes :

1. Relisez les directives d'installation et de fonctionnement de ce manuel afin de vous assurer que le problème n'a pas pour origine une mauvaise lecture des directives.
2. Si le problème persiste, ne pas communiquer ou renvoyer le produit au vendeur. À la place, visitez www.tripplite.com/support.
3. Si le problème nécessite une réparation, visitez www.tripplite.com/support et cliquez sur le lien Product Returns (retour du produit). De cet endroit, vous pouvez demander un numéro d'autorisation de retour de matériel (RMA) qui est exigé pour une réparation. Ce formulaire en ligne simple vous demandera le numéro de modèle et le numéro de série de votre unité ainsi que d'autres renseignements généraux concernant l'acheteur. Le numéro RMA, ainsi que les instructions concernant le transport vous seront acheminées par courriel. Tout dommage (direct, indirect, spécial ou fortuit) survenu au produit pendant le transport à Tripp Lite ou à un centre de service autorisé Tripp Lite est exclu de la garantie. Les produits expédiés à Tripp Lite ou à un centre de service autorisé doivent être prépayés. Inscrire le numéro RMA sur le paquet. Si le produit est encore couvert par la garantie de deux ans, joindre une copie de votre facture d'achat. Retourner le produit pour réparation par un transporteur assuré à l'adresse qui vous a été donnée lorsque vous avez demandé le RMA.

Conformité aux règlements

Numéros d'identification de conformité aux règlements

À des fins de certification et d'identification de conformité aux règlements, votre produit Tripp Lite a reçu un numéro de série unique. Ce numéro se retrouve sur la plaque signalétique du produit, avec les inscriptions et informations d'approbation requises. Lors d'une demande d'information de conformité pour ce produit, utilisez toujours le numéro de série. Il ne doit pas être confondu avec le nom de la marque ou le numéro de modèle du produit.

L'information de conformité WEEE pour les clients de Tripp Lite et recycleurs (Union européenne)

 Sous les directives et règlements de déchet d'équipements électrique et électronique (Waste Electrical and Electronic Equipment, WEEE), lorsque les clients achètent le matériel électrique et électronique neuf de Tripp Lite ils sont autorisés à :

- Envoyer le vieux matériel pour le recyclage sur une base de un-contre-un et en nature (ceci varie selon le pays)
- Renvoyer le matériel neuf pour recyclage quand ceci devient éventuellement un rebut

La politique de Tripp Lite en est une d'amélioration continue. Les spécifications sont sujettes à changement sans préavis. Las fotografías e ilustraciones pueden diferir ligeramente de los productos reales.



Руководство пользователя

Цифровой ИБП мод. SMX1500LCD

Номер серии: AGSM5510

Не предназначен для мобильных систем.

English 1 • Español 8 • Français 15 • Deutsch 29

Важные указания по технике безопасности

СОХРАНИТЕ НАСТОЯЩИЕ УКАЗАНИЯ

В настоящем руководстве содержатся указания и предупреждения, которые необходимо соблюдать в процессе установки, эксплуатации и хранения данного изделия. Игнорирование этих предупреждений ведет к потере гарантии.

Предупреждения относительно места размещения ИБП

- ИБП предназначен только для использования в закрытых помещениях с регулируемым микроклиматом вдали от источников повышенной влажности, экстремальных температур, электропроводных загрязнителей, пыли и прямого солнечного света.
- В целях обеспечения максимальной производительности поддерживайте в помещении температуру от 0 до 40°C.
- Со всех сторон ИБП необходимо обеспечить достаточно свободного пространства для его надлежащего проветривания.
- Запрещается устанавливать устройство с расположением его лицевой или задней панели по направлению вниз (под любым углом). Установка ИБП подобным образом приведет к созданию серьезных препятствий для системы внутренней вентиляции устройства и, в конечном итоге, к повреждению ИБП, на которое не распространяются гарантийные условия.

Предупреждения по подключению ИБП

- Подключайте ИБП непосредственно к надлежащим образом заземленной розетке сети переменного тока. Не подключайте ИБП к самому себе — это приведет к его выходу из строя.
- Не переделывайте электрическую вилку ИБП и не используйте переходник, не поддерживающий его заземления.
- Не используйте шнуры-удлинители для подключения ИБП к розетке сети переменного тока.
- В случае питания ИБП от дизельного генератора переменного тока последний должен обеспечивать на выходе чистый отфильтрованный сигнал, безопасный для электропитания вычислительного оборудования.
- Сетевая розетка, питающая ИБП, должна быть легкодоступной и располагаться рядом с ИБП.
- Для отключения ИБП от сети питания его разъем переменного тока служит в качестве устройства защитного отключения.

Предупреждения относительно подключения оборудования

- Не рекомендуется использование данного оборудования в системах жизнеобеспечения, где его выход из строя предположительно может привести к перебоям в работе оборудования жизнеобеспечения или в значительной мере снизить его безопасность или эффективность. Не используйте данное оборудование в присутствии воспламеняющейся анестетической смеси с воздухом, кислородом или закисью азота.
- Не подключайте сетевые фильтры или кабели-удлинители к выходу ИБП. Это может привести к выходу ИБП из строя с потерей гарантий как на сетевой фильтр, так и на ИБП.

Предупреждения относительно батарей

- ИБП не требует регулярного технического обслуживания. Не вскрывайте корпус ИБП по каким бы то ни было причинам. Внутри него нет деталей, обслуживаемых пользователем.
- Батареи могут являться источником опасности электрического удара, а также воспламенения в результате короткого замыкания. Соблюдайте надлежащие меры предосторожности. Не бросайте батареи в огонь. Не вскрывайте корпус ИБП или батарей. Не замыкайте и не шунтируйте клеммы батарей какими-либо предметами. Перед заменой батарей выключите ИБП и отключите его от электрической сети. Используйте инструменты с изолированными ручками. Внутри ИБП нет деталей, обслуживаемых пользователем. Замена батарей должна производиться авторизованным сервисным персоналом с использованием батарей аналогичного типа (герметичных свинцово-кислотных аккумуляторных батарей) с таким же номером. Батареи пригодны для вторичной переработки. См. местные нормативы и требования по утилизации либо руководствуйтесь информацией по утилизации на странице <http://www.tripplite.com/support/recycling-program>. Ассортимент Tripp Lite включает в себя сменные батарейные картриджи для всех моделей ИБП. Посетите веб-страницу Tripp Lite по адресу <http://www.tripplite.com/products/battery-finder/>, где вы сможете подобрать сменную батарею для вашей модели ИБП.
- Не пытайтесь подключать к ИБП внешние аккумуляторные батареи.

EAC

TRIPP·LITE



Продукция высшего качества.

1111 W. 35th Street, Chicago, IL 60609 USA • www.tripplite.com/support

Охраняется авторским правом © 2019 Tripp Lite. Перепечатка запрещается.

Быстрая установка

1 Установите ИБП в горизонтальное или вертикальное положение.

Для установки ИБП в двухрамную или однорамную стойку выньте заглушки из монтажных отверстий с верхней и нижней сторон ИБП **A**. Для установки ИБП в двухрамную стойку прикрепите монтажные проушины с каждой из сторон ИБП с помощью поставляемой в комплекте оснастки **B**. Для установки ИБП в однорамную стойку прикрепите монтажные проушины с каждой из сторон ИБП с помощью поставляемой в комплекте оснастки **C**. С помощью другого сотрудника (в случае необходимости) поднимите ИБП и прикрепите его к стандартной стойке с использованием соответствующей оснастки (в комплект поставки не входит).



Внимание! При установке ИБП в стойку величина зазоров над корпусом устройства и за ним должна составлять не менее 2 см. При установке ИБП на плоской поверхности НЕ размещайте какие-либо предметы непосредственно на его верхней панели.

ИБП может находиться в вертикальном положении без помощи оснастки, поставляемой в комплекте. Для повышения устойчивости компания Tripp Lite рекомендует закреплять его с помощью поставляемой в комплекте монтажной оснастки, как показано на схеме **D**. Независимо от положения устройства пользователь должен установить пригодность оснастки и предполагаемых процедур до начала установки.

Примечание. ИБП и входящая в его комплект оснастка предназначены для обычных типов шкафов и могут не подходить для всех целей применения.

ЖК-дисплей может поворачиваться в зависимости от способа установки ИБП. Для поворота следует предварительно вставить остроконечный предмет в отверстия, расположенные по бокам ЖК-дисплея. Выньте ЖК-дисплей из корпуса ИБП, затем поверните его и установите с нажимом на свое место.



ВНИМАНИЕ! Для безопасного уравнивания ИБП в вертикальном положении ЖК-дисплей должен находиться в верхней части передней панели.

2 Подсоедините к ИБП шнур питания* (в комплект поставки не входит) и включите его в настенную розетку.**

После подключения ИБП к настенной розетке нажмите на кнопку ON/OFF (ВКЛ/ВЫКЛ) и удерживайте ее в течение одной секунды для включения ИБП (более подробную информацию см. в разделе "Основной режим работы").

Примечание. При наличии сетевого электропитания автоматическое включение ИБП не производится.

*ИБП не комплектуется сетевым шнуром. Используемый шнур питания должен иметь на одном из концов разъем типа IEC-320 C13 (которым обычно оснащаются отсоединяемые шнуры питания для настольных компьютеров) для подключения к разъему ИБП, обеспечивающему вход питания переменного тока.

**Используемая розетка не должна находиться в общем контуре с большой электрической нагрузкой (такой как кондиционер или холодильник).

3 Подключите оборудование к ИБП.

Вставьте гнездовые разъемы отсоединяемых шнуров питания, поставляемых в комплекте с ИБП, во входные разъемы переменного тока подключаемых элементов оборудования. Вставьте штекерные разъемы в любые свободные розетки ИБП.

ИБП предназначен только для поддержания работоспособности электронного оборудования. Если сумма номинальных значений потребляемой мощности (ВА) всех элементов оборудования, подключенного к розеткам, превысит выходную мощность ИБП, то это приведет к перегрузке последнего. Номинальные значения потребляемой мощности элементов оборудования указаны на их паспортных табличках. Если номинальное значение потребляемой мощности оборудования указано в амперах, то для определения соответствующего значения в ВА умножьте его на 230. (Пример: 1 ампер \times 230 = 230 ВА). В случае неуверенности относительно возможной перегрузки розеток выполните внутренний тест (подробнее см. в описании кнопки MUTE/TEST ("Отключение звука/Тест")).

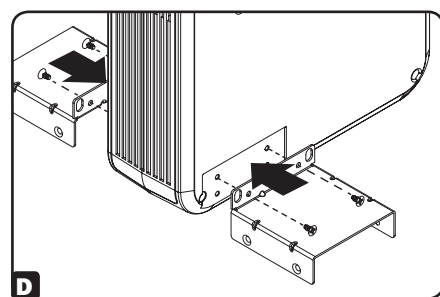
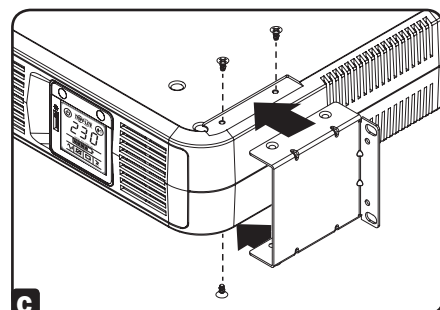
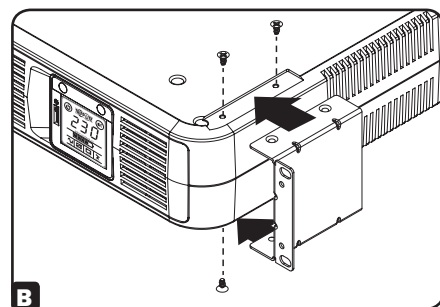
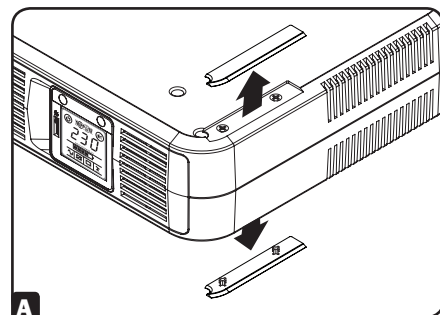
4 Опционально: подключение кабелей связи.

ИБП оснащен портами USB и RS-232, а также разъемами Tel/DSL/Ethernet с защитой от выбросов напряжения. Эти подключения необязательны — при их отсутствии ИБП также будет функционировать надлежащим образом.

Несовместимо с технологией PoE (питание по кабелю витой пары).





ВНИМАНИЕ! ИБП должен быть включен в розетку с напряжением переменного тока и запитываться от нее в течение 24 часов после первоначальной установки для обеспечения полного заряда внутренней батареи. Подключенное оборудование получает сетевое питание переменного тока (при наличии такового) сразу после подключения к сети и включения ИБП, однако в случае отключения электричества или существенного понижения сетевого напряжения оно не будет получать полноценного питания от батарей, если внутренняя батарея не заряжена полностью.



Основной режим работы

Включение/выключение ИБП

- **Вставьте сетевую вилку ИБП в заземленную розетку.**
- **Для включения ИБП:** нажмите на кнопку  и удерживайте ее в течение 2 секунд. По истечении 2 секунд ИБП издает однократный кратковременный звуковой сигнал.
- **Подключение оборудования к ИБП:** ИБП рассчитан только на поддержание работоспособности электронного оборудования. Если сумма номинальных значений потребляемой мощности (ВА) всех элементов оборудования, подключенного к розеткам с маркировкой "Battery, Surge and Noise Protected", превысит выходную мощность ИБП, то это приведет к его перегрузке. Для оценки мощности, потребляемой вашим оборудованием, взгляните на его паспортную табличку. Если номинальное значение потребляемой мощности оборудования указано в амперах (А), то для определения соответствующего значения в ВА умножьте его на 230 (например: 1 А x 230 = 230 ВА). Если значение уровня нагрузки, отображаемое на дисплее, составляет 100%, это означает, что ИБП работает в режиме полной нагрузки.
- **Для выключения ИБП:** нажмите на кнопку  и удерживайте ее в течение 2,5 секунд. По истечении 2,5 секунд ИБП издает однократный кратковременный звуковой сигнал.

ЖК-дисплей

На ЖК-дисплее отображаются различные режимы работы ИБП. Все приведенные описания действуют при подключении ИБП к розетке сети переменного тока и включенном питании. ЖК-дисплей может поворачиваться для удобства обзора независимо от того, в каком положении горизонтальном или вертикальном установлен ИБП. Для поворота ЖК-дисплея следует вставить остроконечный предмет в отверстия, расположенные по бокам, что позволит вытолкнуть его из корпуса ИБП, затем повернуть дисплей на нужный угол и вставить его обратно в корпус до щелчка.

Функциональные возможности ЖК-дисплея

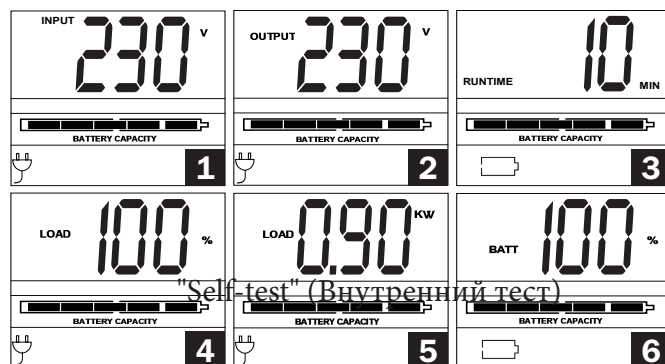
Для перехода от одного режима отображения к другому следует нажимать на кнопку . Для переключения между настройками функций Power Sensitivity Control (Управление чувствительностью к питанию), External Battery Setting Control (Управление параметрами внешних батарей), Scroll Control (Управление прокруткой), Alarm (Сигнализация), LCD Brightness (Яркость ЖК-дисплея) и Self-test (Внутренний тест) следует использовать кнопку . Последний вариант настройки, отображаемый перед выходом из данного пункта меню, останется активным. После выбора нужной настройки нажмите на кнопку  для продолжения. Если экран не используется в течение 20 секунд, то ЖК-дисплей возвращается в режим отображения главного экрана с сохранением последних выбранных настроек.

Параметры питания дисплея




Для перехода между пунктами настройки системы питания используйте кнопку .

1. "Voltage In" (Входное напряжение)
2. "Voltage Out" (Выходное напряжение)
3. "Estimated Runtime (in minutes)" (Приблизительное время работы (в минутах))
4. "Load %" (Нагрузка в %)
5. "Load Wattage" (Нагрузка в Вт)*
6. "Battery Capacity %" (Емкость аккумуляторной батареи в %)



* Значения параметра "Load Wattage" (Нагрузка в Вт) отображаются в ваттах в пределах диапазона до 999, а после этого отображаются в киловаттах.



Включение/отключение сигнализации



Несколько раз подряд нажмите на кнопку  для перехода к экрану, содержащему значок . Нажмите на кнопку  для выбора параметра системы сигнализации: "ON" (Вкл.) или "OFF" (Выкл.). Последний вариант настройки, отображаемый перед выходом из данного пункта меню, останется активным.

Яркость ЖК-экрана

Несколько раз подряд нажмите на кнопку  для перехода к экрану настройки яркости ЖК-экрана, помеченного как "LCD". Нажмите на кнопку  выбора вариантов уровня подсветки экрана: Medium Backlight (средний уровень, по умолчанию), High Backlight (высокий уровень) или Dim Backlight (низкий уровень). Последний вариант настройки, отображаемый перед выходом из данного пункта меню, останется активным.


Примечание. После 2 минут бездействия уровень яркости подсветки вернется к низкому (Dim) и будет оставаться таким до нажатия на одну из кнопок.

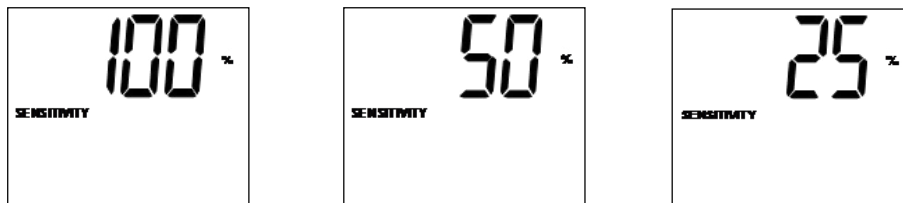
Внутренний тест

Несколько раз подряд нажмите на кнопку  для перехода к экрану "TEST BATT" (Тест батареи). Нажмите на кнопку  для запуска теста. Тест длится приблизительно 10 секунд, и ИБП переключается на питание от батареи для проверки мощности под нагрузкой. После завершения теста в течение 20 секунд на экране будет отображаться сообщение "PAS" (Пройдено) или "BAD" (Не пройдено), а затем устройство вернется к нормальному экрану. В процессе прохождения теста подключенное оборудование можно оставлять включенным. Не отключайте ИБП от сети, поскольку это приведет к потере безопасного электрического заземления.

Основной режим работы

Чувствительность к питанию

Несколько раз подряд нажмите на кнопку  для перехода к экрану "Sensitivity" (Чувствительность), как показано ниже:



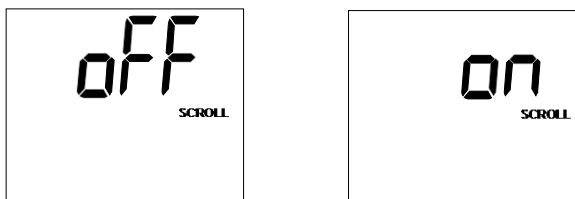
Для переключения между опциями нажимайте на кнопку . Последний вариант настройки, отображаемый перед выходом из данного пункта меню, останется активным.

Этот параметр настроек обычно установлен на 100%, что обеспечивает ИБП защиту от искажения формы сигнала на входе питания переменного тока. При возникновении подобных искажений ИБП обычно переключается на работу от батареи, обеспечивая подачу импульсно-модулируемого напряжения чистой синусоидальной формы в течение времени искажения. В некоторых областях с плохим качеством энергоснабжения, а также в случаях, когда на ИБП подается питание с резервного генератора, частое понижение напряжения и/или хроническое искажение формы сигнала могут вызывать слишком частое переключение ИБП на работу от батареи, что приведет к истощению ее резервов. Частоту обращения ИБП к работе от батареи из-за искажения формы сигнала или понижения напряжения в сети можно снизить, поэкспериментировав с подбором настроек. При снижении значения этой настройки ИБП становится малочувствительным к форме сигнала на входе.

Примечание. При подборе настроек подключенное оборудование должно находиться в безопасном тестовом режиме, чтобы эффект, производимый на оборудование какими-либо искажениями формы сигнала на выходе ИБП, можно было оценить без прерывания критически важных операций. Эксперимент должен длиться в течение достаточно длительного периода времени, позволяющего убедиться в том, что были учтены все возможные режимы работы линии.

Управление прокруткой

Несколько раз подряд нажмите на кнопку  для перехода к экрану "Scroll" (Прокрутка), как показано ниже:



Нажмите на кнопку  для перехода к следующему доступному пункту. Последний вариант настройки, отображаемый перед выходом из данного пункта меню, останется активным.

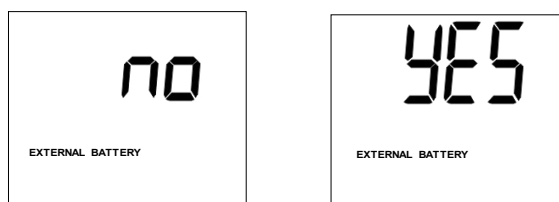
На этом экране пользователь может настроить автоматическую прокрутку любого из эксплуатационных режимов ИБП (таких как "Input Voltage" (Входное напряжение), "Output Voltage" (Выходное напряжение) and "Runtime" (Время работы)).

Примечания:

1. Каждый режим отображается с интервалом в 2 секунды.
2. При нажатии на кнопку в режиме "Scroll" (Прокрутка) функция прокрутки приостанавливается на 10 секунд, позволяя пользователю вручную выбрать необходимые параметры меню перед возобновлением прокрутки.

Управление настройками внешних батарей (только для мод. XL)

Несколько раз подряд нажмите на кнопку  для перехода к экрану "External Battery" (Внешняя батарея), как показано ниже:





Нажмите на кнопку  для перехода к следующему доступному пункту. Последний вариант настройки, отображаемый перед выходом из данного пункта меню, останется активным.

Примечание. На значении этого параметра основан показатель времени работы от батареи.

Этот функциональный параметр позволяет пользователю настраивать ИБП на использование с внешним блоком аккумуляторных батарей или без такового. Параметр "Время работы" будет перенастроен автоматически.

Примечание. Блоки аккумуляторных батарей не предусматривают возможности шлейфового подключения. К ИБП может быть подключен только один блок аккумуляторных батарей.

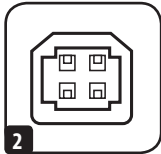
Сообщения об ошибках

В случае необходимости замены батареи ИБП начинает мигать пиктограмма , а также пиктограмма . В случае перегрузки одновременно мигают пиктограммы ,  и , а также цифровая индикация нагрузки в процентах.

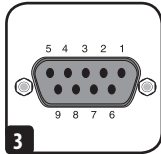
Характеристики



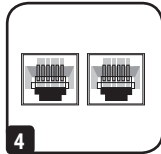
1 Выходные розетки с батарейной поддержкой/сетевой фильтрацией



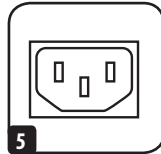
2 Порт USB



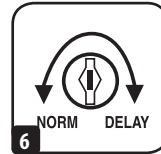
3 Последовательный порт RS-232 (DB9)



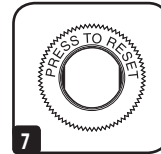
4 Разъемы Tel/DSL/Ethernet с защитой от помех



5 Вход питания переменного тока



6 Регулировка чувствительности к питанию



7 Автоматический выключатель

1 **Выходные розетки с батарейной поддержкой/сетевой фильтрацией:** эти розетки типа IEC-320 C13 обеспечивают как питание от батарей, так и сетевую фильтрацию. Эти розетки предназначены для подключения компьютера, монитора и другого критически важного оборудования.

 Эти розетки не рассчитаны на подключение лазерных принтеров.

2 **Коммуникационный порт USB:** этот порт предназначен для подключения ИБП к любому компьютеру для автоматического сохранения файлов и автоматического отключения в случае перебоя энергоснабжения. Используйте совместно с предлагаемым компанией Tripp Lite программным обеспечением PowerAlert® (доступным для БЕСПЛАТНОЙ загрузки с сайта www.tripplite.com) и соответствующим кабелем USB или DB9. Кабель USB или DB9 может поставляться в комплекте с ИБП. Если ИБП не комплектуется соответствующим кабелем, то для подключения ИБП к компьютеру может быть использован любой кабель с проходным разъемом DB9 или USB-кабель.

Примечания:

- Данное подключение не является обязательным. ИБП будет функционировать надлежащим образом и при отсутствии такого подключения.
- Данный ИБП обеспечивает коммуникационную совместимость с большинством прикладных программ управления электропитанием, встроенных в операционные системы Windows®, Macintosh® и Linux®.

3 **Связь через замыкающиеся контакты (через порт RS-232):** порт RS-232 обладает функцией обеспечения связи через замыкающиеся контакты, которая может использоваться для взаимодействия с подключенным оборудованием, не поддерживающим связь через интерфейсы USB или RS-232. При работе ИБП в нормальном режиме контакты 1 и 9 закорочены. При работе ИБП в режиме питания от батарей контакты 1 и 8 закорочены.

4 **Разъемы Tel/DSL/Ethernet с защитой от помех:** разъемы RJ45 обеспечивают защиту от одной телефонной, факсимильной, модемной, DSL или Ethernet-линии от выбросов напряжения и возникающих в связи с ними помех. Подключите телефонный шнур или кабель Ethernet от настенной розетки или разъема источника данных непосредственно к разъему Tel/DSL/Ethernet с маркировкой "IN". Подключите телефонный шнур или кабель Ethernet от разъема Tel/DSL/Ethernet с маркировкой "OUT" непосредственно к оборудованию. ИБП должен являться первым элементом оборудования, подключенным к настенной розетке или разъему источника данных. Для обеспечения защиты подключенного оборудования от выбросов напряжения ИБП должен быть включен в заземленную розетку переменного тока. Подключение оборудования к этим разъемам не является обязательным. ИБП будет функционировать надлежащим образом и при отсутствии такого подключения. Эти разъемы несовместимы с технологией PoE (питание по кабелю витой пары).

5 **Вход питания переменного тока:** этот разъем типа IEC-320 C14 предназначен для подключения шнура питания (в комплект поставки не входит) с разъемом, соответствующим используемым сетевым розеткам.

6 **Регулятор чувствительности к питанию:** настройка данного регулятора по умолчанию — полный поворот против часовой стрелки. Настройка по умолчанию обеспечивает возможность защиты ИБП от искажения формы сигнала на входе питания переменного тока путем переключения в режим питания от батарей на время существования данной проблемы. На объектах с некондиционным сетевым питанием или питанием от генератора хроническое искажение формы сигнала (или частое понижение напряжения) может вызывать слишком частое переключение ИБП в режим работы от батареи, что приводит к истощению ее резервов. Для конкретного объекта уровень защиты может быть оптимизирован путем экспериментирования с настройками чувствительности. При повороте регулятора по часовой стрелке ИБП становится более чувствительным к изменениям формы сигнала.



ВНИМАНИЕ! Питание оборудования переменным током с искаженной формой сигнала может приводить к нарушению его нормальной работы. При экспериментировании с настройками чувствительности подключенное оборудование должно работать в безопасном "тестовом режиме", что позволяло бы оценивать получаемые результаты без прерывания критически важных операций. Тестирование следует продолжать до тех пор, пока не будут получены ожидаемые параметры сетевого питания.

7 **Автоматический выключатель:** если ток, потребляемый подключенным к ИБП оборудованием, превышает максимально допустимую нагрузку в течение более чем нескольких секунд, происходит срабатывание автоматического выключателя с прекращением подачи питания переменного тока во избежание возможного выхода оборудования из строя. При срабатывании автоматического выключателя его кнопка выскакивает вверх. Перед сбросом автоматического выключателя нажатием кнопки следует отсоединить оборудование, создающее избыточную нагрузку, и дать выключателю возможность охладиться в течение одной минуты.

Замена батарей

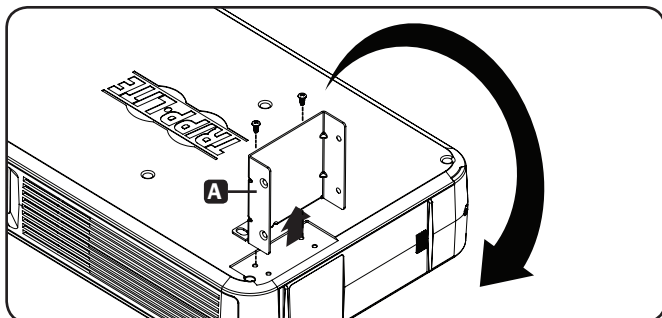
При нормальных условиях эксплуатации оригинальные батареи в вашем ИБП прослужат много лет. Перед заменой батарей ознакомьтесь с содержанием раздела, посвященного правилам техники безопасности. Батареи поддерживают режим горячей замены (т.е. в процессе их замены ИБП может быть включен) при нахождении ИБП в вертикальном положении или на полке, однако некоторые квалифицированные сервисные специалисты предпочитают выключать ИБП и отсоединять от него оборудование перед выполнением подобных операций. В случае необходимости замены батарей ИБП, установленного в однорамной или двухрамной стойке, рекомендуется выключать ИБП и отсоединять от него оборудование перед выполнением подобных операций.

Примечание. Каталожный номер R.B.C. указан на наклейке, находящейся на дверце батарейного отсека

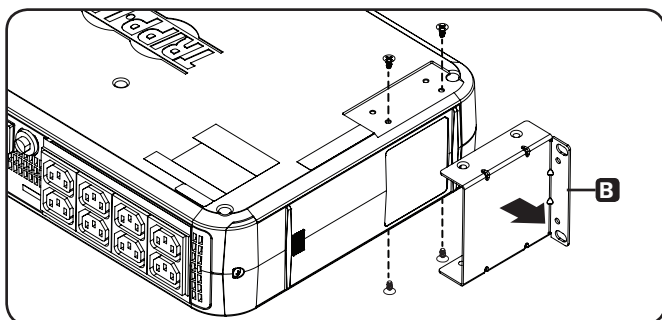
Порядок замены батарей

1 Снимите монтажный кронштейн.

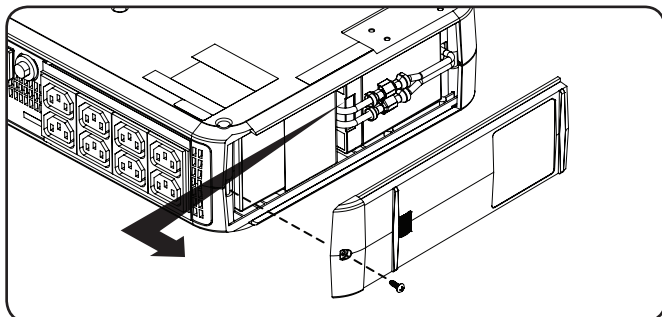
При вертикальной установке: положите ИБП на бок и снимите нижний кронштейн **A**.



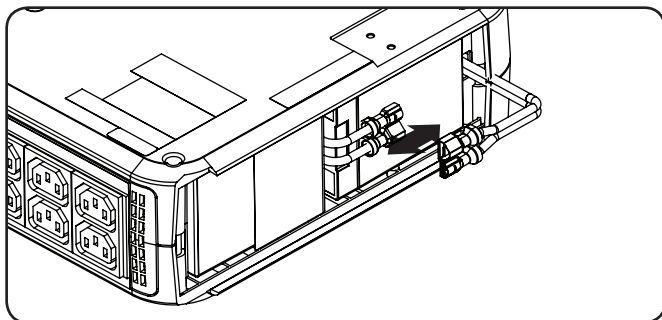
При установке в стойку: снимите ИБП со стойки, затем снимите левый монтажный кронштейн **B**.



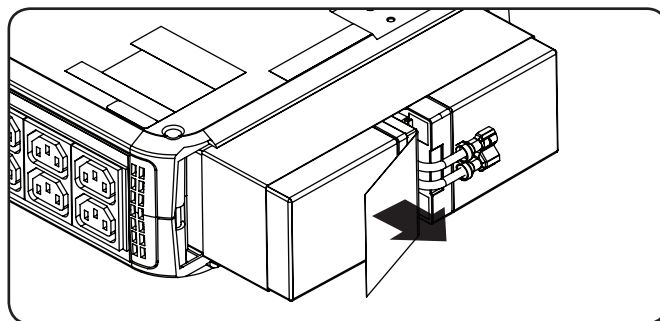
2 Выверните винт крепления дверцы батарейного отсека и снимите ее.



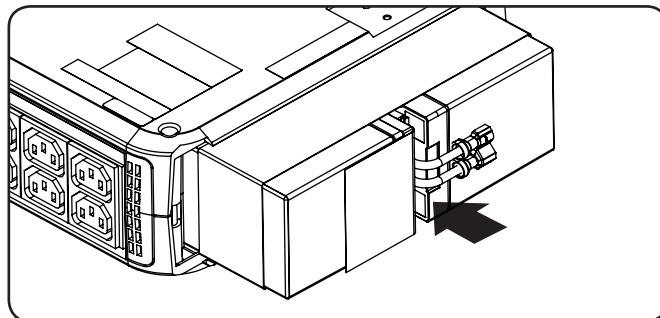
3 Отсоедините батареи.



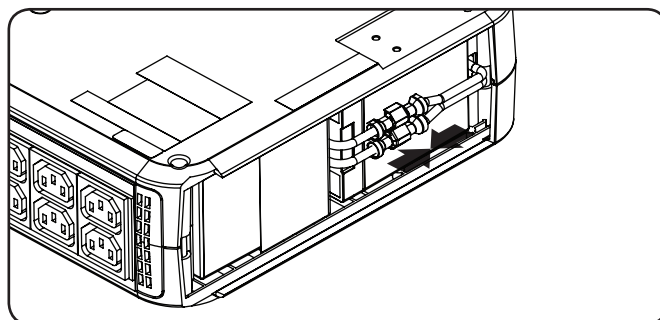
4 Выньте/утилизируйте* батареи.



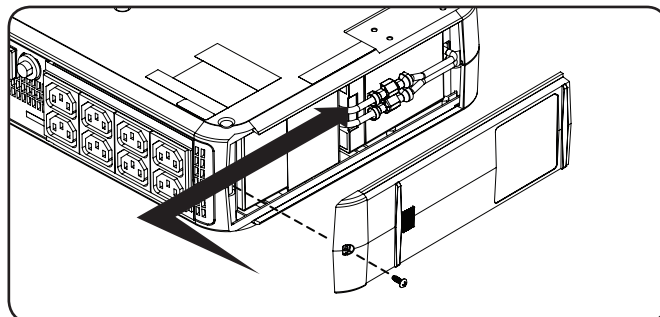
5 Установите новые батареи.



6 Подсоедините батареи.



7 Установите на место дверцу батарейного отсека и зафиксируйте ее крепежным винтом.



8 Установите ИБП в горизонтальное или вертикальное положение. Подробнее см. в разделе Порядок быстрой установки.

Замена батарей

*Утилизация ИБП и батарей



Просьба утилизировать изделия Tripp Lite. В изделиях Tripp Lite используются герметичные свинцово-кислотные аккумуляторные батареи. Эти батареи могут эффективно утилизироваться. Требования по утилизации приведены в местной нормативной документации.

За информацией по утилизации обращайтесь в компанию Tripp Lite по телефону +1.773.869.1234.

Самая актуальная информация об утилизации батарей и прочих изделий Tripp Lite содержится на веб-сайте компании Tripp Lite. Для получения этой информации перейдите по следующей ссылке: <http://www.tripplite.com/support/recycling-program/>

Хранение и техническое обслуживание

Хранение

Во избежание саморазряда батарей все подключенное оборудование должно быть выключено и отсоединено от ИБП. Нажмите на кнопку ON/OFF (ВКЛ/ВЫКЛ) и удерживайте ее в течение одной секунды. После этого ИБП будет полностью выключен (обесточен) и готов к хранению. Если вы планируете хранение своего ИБП в течение длительного периода времени, производите полную подзарядку батарей ИБП каждые три месяца. Для этого вставьте сетевую вилку ИБП в розетку сети переменного тока, включите его путем нажатия кнопки ON/OFF (ВКЛ/ВЫКЛ) и ее удержания в течение одной секунды и оставьте батареи для подзарядки на 24 часа. Хранение батарей в разряженном состоянии на протяжении длительного времени приводит к безвозвратной потере их емкости.

Техническое обслуживание

Кроме того, компания Tripp Lite предлагает ряд Программ расширенной гарантии и обслуживания на объекте. Более подробная информация о техническом обслуживании изложена на странице www.tripplite.com/support. Перед возвратом своего изделия в целях технического обслуживания просьба выполнить следующие действия:

1. Внимательно изучите порядок установки и эксплуатации устройства, приведенный в настоящем руководстве, во избежание проблем, которые могут возникнуть в ходе работы из-за неправильного понимания приведенных в руководстве указаний.
2. Если проблему решить не удалось, не обращайтесь к продавцу и не возвращайте изделие ему. В этом случае посетите интернет-страницу по адресу: www.tripplite.com/support.
3. Если возникшая проблема требует проведения ремонта или технического обслуживания, зайдите на страницу www.tripplite.com/support и нажмите на ссылку Product Returns (Возврат изделий). Здесь вы можете запросить номер Returned Material Authorization (RMA) (разрешение на возврат материалов), который необходим для проведения технического обслуживания. Для заполнения этой простой онлайн-формы потребуется указать номер модели и серийный номер вашего изделия, а также общие сведения о покупателе. Номер RMA вместе с указаниями по транспортировке будет направлен вам по электронной почте. На какие бы то ни было убытки (прямые, косвенные, последующие или вызванные особыми обстоятельствами), связанные с транспортировкой изделия в адрес компании Tripp Lite или ее уполномоченного сервисного центра, действие гарантии не распространяется. Стоимость транспортировки изделий в адрес компании Tripp Lite или ее уполномоченного сервисного центра должна быть оплачена авансом. Номер RMA должен быть указан на внешней стороне упаковки. Если возврат изделия производится в период действия гарантии, то необходимо приложить копию товарного чека продавца. Возврат изделия для проведения ремонта или технического обслуживания должен производиться застрахованным перевозчиком по адресу, указанному в ответе на ваш запрос номера RMA.

Соблюдение установленных норм

Идентификационные номера соответствия нормативным требованиям

В целях сертификации на соответствие нормативным требованиям и опознавания приобретенному вами изделию марки Tripp Lite присвоен уникальный серийный номер. Серийный номер располагается на заводской табличке вместе со всеми необходимыми отметками о приемке и прочей информацией. При запросе информации о соответствии данного изделия нормативным требованиям обязательно указывайте его серийный номер. Серийный номер не следует путать с торговым наименованием изделия или номером его модели.

Информация по выполнению требований Директивы WEEE для покупателей и переработчиков продукции компании Tripp Lite (являющихся резидентами Европейского союза)



Согласно положениям Директивы об утилизации отходов электрического и электронного оборудования (WEEE) и исполнительных распоряжений по ее применению, при покупке потребителями нового электрического или электронного оборудования производства компании Tripp Lite они получают право на:

- Продажу старого оборудования по принципу "один за один" и/или на эквивалентной основе (в зависимости от конкретной страны)
- Отправку нового оборудования на переработку после окончательной выработки его ресурса

Компания Tripp Lite постоянно совершенствует свою продукцию. В связи с этим возможно изменение технических характеристик без предварительного уведомления. Внешний вид реальных изделий может несколько отличаться от представленного на фотографиях и иллюстрациях.



1111 W. 35th Street, Chicago, IL 60609 USA • www.tripplite.com/support

Benutzerhandbuch

SMX1500LCD Digitales USV-System

Seriennummer: AGSM5510

Nicht für den mobilen Einsatz geeignet.

English 1 • Español 8 • Français 15 • Русский 22

Wichtige Sicherheitshinweise

BITTE BEWAHREN SIE DIESE ANLEITUNG AUF

Das Benutzerhandbuch enthält Anleitungen und Warnhinweise, die bei Installation, Betrieb und Lagerung des hierin beschriebenen Produkts befolgt werden sollten. Die Nichteinhaltung der Warnungen führt zum Erlöschen der Garantie.

Warnhinweise zum USV-Aufstellungsort

- Die USV wurde für den Betrieb in Innenräumen konzipiert. Sie darf nur in einer kontrollierten Umgebung verwendet werden und muss von übermäßiger Feuchtigkeit, extremen Temperaturen, leitfähigen Schmutzstoffen, Staub sowie direkter Sonneneinstrahlung ferngehalten werden.
- Für eine optimale Leistungsfähigkeit sollte die Raumtemperatur zwischen 0° C und 40° C gehalten werden.
- Lassen Sie an allen Seiten der USV genügend Platz für eine angemessene Belüftung.
- Das Gerät darf nicht mit der Front- oder Rückplatte nach unten montiert werden (auch nicht in einem Winkel). Eine derartige Befestigung würde die interne Kühlung des Geräts stark beeinträchtigen und letztendlich zu einer Beschädigung des Produkts führen, die nicht unter die Garantie fällt.

Warnhinweise zum Anschluss der USV

- Schließen Sie die USV direkt an eine ordnungsgemäß geerdete Wechselspannungssteckdose an. Verbinden Sie den Anschlussstecker der USV nicht mit einem ihrer eigenen Ausgangssteckdosen, da dies zur Beschädigung der USV führt.
- Nehmen Sie keine Veränderungen am Netzstecker der USV vor und verwenden Sie keinen Anschlussadapter, der den Schutzanschluss der USV unterbricht.
- Verwenden Sie keine Verlängerungskabel, um die USV an eine Wechselspannungssteckdose anzuschließen.
- Wenn die USV von einem motorbetriebenen Wechselspannungsgenerator gespeist wird, muss der Generator einen sauberen, gefilterten Ausgang in Computerqualität bieten.
- Die Netzsteckdose sollte sich in der Nähe der USV befinden und leicht zugänglich sein.
- Wenn der Netzanschluss der USV ausgesteckt wird, dient der Netzstecker als Abschaltvorrichtung.

Warnhinweise zu den Geräteanschlüssen

- Die Verwendung dieses Geräts für Lebenserhaltungssysteme, bei denen der Ausfall des Geräts den Ausfall des Lebenserhaltungssystems verursachen oder dessen Sicherheit beziehungsweise Wirksamkeit bedeutend beeinträchtigen kann, wird nicht empfohlen.
- Schließen Sie keinen Überspannungsschutz und keine Verlängerungskabel an den Ausgang Ihrer USV an. Dies könnte die USV beschädigen und führt zur Beeinträchtigung des Überspannungsschutzes sowie dem Erlöschen Ihrer USV-Garantie.

Warnungen zu den Akkus

- Die USV muss nicht routinemäßig gewartet werden. Die USV darf in keinem Fall geöffnet werden. Die USV enthält keine Teile, die vom Benutzer gewartet werden können.
- Batterien können die Gefahr eines Stromschlages oder einer Verbrennung durch hohe Kurzschlussströme in sich bergen. Ergreifen Sie die entsprechenden Vorsichtsmaßnahmen. Entsorgen Sie die Batterien nicht in einem Feuer. Öffnen Sie die USV oder die Batterien nicht. Nicht die Batterieanschlüsse kurzschließen oder mit anderen Objekten überbrücken. Vor dem Batteriewechsel ist die USV auszuschalten und ihr Netzstecker herauszuziehen. Verwenden Sie Werkzeuge mit isolierten Griffen. Die USV enthält keine Teile, die vom Benutzer gewartet werden können. Die Akkus sollten nur von einem autorisierten Servicemitarbeiter gegen die selbe Anzahl Akkus vom gleichen Typ (versiegelter Bleiakku) ausgewechselt werden. Die Batterien sind recyclingfähig. Informationen zur Entsorgung finden Sie in Ihren örtlichen Entsorgungsvorschriften. Alternativ dazu können Sie Informationen zum Recycling auch unter <http://www.tripplite.com/support/recycling-program> finden. Tripp Lite bietet eine Komplettauswahl an Ersatzbatteriekassetten (R.B.C.) für USV-Systeme an. Bitte besuchen Sie Tripp Lite im Internet unter <http://www.tripplite.com/products/battery-finder/>, um die spezifische Ersatzbatterie für Ihre USV zu finden.
- Versuchen Sie nicht, externe Batterien zu der USV hinzuzufügen.



1111 W. 35th Street, Chicago, IL 60609 USA • www.tripplite.com/support

Copyright © 2019 Tripp Lite. Alle Rechte vorbehalten.

Schnelle Installation

1 Platzieren Sie die USV in einer waagerechten oder senkrechten (Turm-) Position.

Zur Installation der USV in einem Rack mit 4 oder 2 Säulen entfernen Sie bitte die Montageöffnungsabdeckungen von der Ober- und Unterseite der USV **A**. Zur Installation der USV in einem Rack mit 4 Säulen, bringen Sie bitte die Montagelaschen mithilfe des beiliegenden Materials zu beiden Seiten des USV an **B**. Zur Installation der USV in einem Rack mit 2 Säulen, bringen Sie bitte die Montagelaschen mithilfe des beiliegenden Materials zu beiden Seiten des USV an **C**. Heben Sie die USV - bei Bedarf mit Hilfe einer weiteren Person - auf die richtige Höhe und bringen Sie sie mit (nicht beiliegenden) Eisenteilen an einem Standard-Rack an.



Achtung: Wenn die USV in einem Rack installiert wird, sollte über und unter ihr jeweils ein Abstand von mindestens 2 cm (0,75 Zoll) frei bleiben. Wenn die USV auf einer flachen Oberfläche platziert wird, darf KEIN anderer Gegenstand direkt auf das Gerät gestellt werden.

Die USV kann bei senkrechter Aufstellung ohne das beiliegende Material frei stehen. Zur Erhöhung der Stabilität empfiehlt Tripp Lite, das beiliegende Material wie im Diagramm **D** beschrieben anzubringen.

Bei jeder Platzierungsform muss der Benutzer vor der Montage des Geräts sicherstellen, dass das verwendete Material und die Verfahren dafür geeignet sind.

Hinweis: Die USV und das beiliegende Material wurden für den Einsatz in Kombination mit üblichen Rack-Arten konzipiert und eignen sich möglicherweise nicht für alle Anwendungsbereiche.

Der LCD-Bildschirm muss so gedreht werden, dass er der Ausrichtung der USV entspricht. Stecken Sie zum Drehen zunächst vorsichtig ein kleines Werkzeug in die Schlitzlöcher zu beiden Seiten des LCD-Bildschirms. Nehmen Sie den LCD-Bildschirm aus dem USV-Gehäuse, drehen Sie ihn und lassen Sie ihn anschließend wieder im Gehäuse einrasten.



ACHTUNG: Damit sich die USV in senkrechter Position im Gleichgewicht befindet, müssen Sie darauf achten, dass der LCD-Bildschirm sich oben auf der Frontplatte befindet.

2 Verbinden Sie ein (nicht beiliegendes) Stromkabel* mit der USV und schließen Sie die USV dann an eine Netzsteckdose an.**

Nachdem Sie die USV an eine Netzsteckdose angeschlossen haben, halten Sie die EIN/AUS-Taste eine Sekunde lang gedrückt, um die USV einzuschalten. (Weitere Informationen finden Sie im Abschnitt **Standardbetrieb**.)

Hinweis: Die USV schaltet sich nicht automatisch ein, wenn Netzstrom vorhanden ist.

*Dem USV-System liegt kein Stromeingangskabel bei. Das vom Benutzer gewählte Stromkabel sollte über einen Stecker vom Typ IEC-320 C13 verfügen (üblicherweise an abnehmbaren Stromkabeln für Desktop-Computer zu finden), über den es an den Wechselstromeingang der USV angeschlossen werden kann

**Wählen Sie eine Steckdose, die nicht an einem Stromkreis mit einer hohen elektrischen Ladung wie z. B. bei Klimaanlage oder Kühlschränken angeschlossen ist.

3 Schließen Sie Ihre Geräte an die USV an.

Schließen Sie die Buchsenstecker der im Lieferumfang des USV-Systems enthaltenen abnehmbaren Stromkabel an die Wechselstromeingänge der angeschlossenen Geräte an. Stecken Sie die Stiftstecker in beliebige freie Ausgänge des USV-Systems.

Die USV wurde nur für die Unterstützung von elektronischen Geräten entwickelt. Angeschlossene Geräte werden die USV überladen, wenn die gesamte Volt-Ampere-Nennleistung (VA) von allen an die Ausgänge angeschlossenen Geräte die Ausgangskapazität der USV überschreitet. Die VA-Nennwerte für Ihre Geräte finden Sie auf den Geräteetiketten. Wenn der Nennwert in Ampere

angegeben ist, multiplizieren Sie die Anzahl der Ampere mit 230, um den VA-Nennwert zu bestimmen. (Beispiel: 1 Ampere \times 230 Volt = 230 VA). Wenn Sie nicht sicher sind, ob die Ausgänge überladen sind, führen Sie einen Selbsttest durch. (Weitere Informationen finden Sie in der Beschreibung der Schaltfläche STUMMSCHALTEN/TESTEN.)

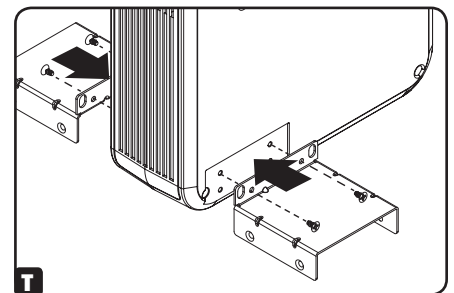
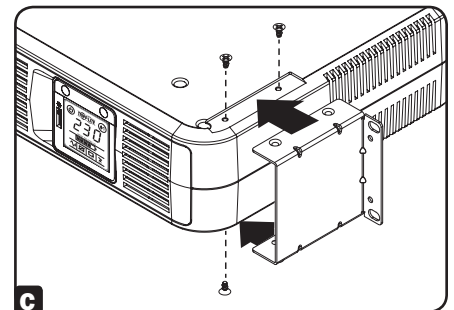
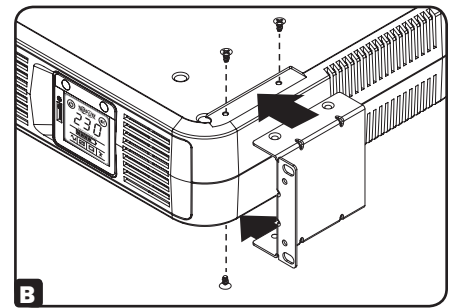
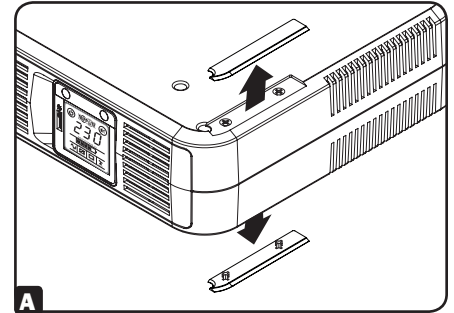
4 Optional – Kommunikationskabel anschließen.

Die USV verfügt über USB- und RS-232-Kommunikationsports sowie Telefon/DSL/Ethernet-Überspannungsschutzanschlüsse. Diese Anschlüsse sind optional. Ihre USV funktioniert auch ohne diese Anschlüsse ordnungsgemäß.

Nicht mit PoE (Power over Ethernet)-Anwendungen kompatibel.





ACHTUNG: Die USV muss an eine Wechselstrom-Steckdose mit Netzstrom angeschlossen werden und 24 Stunden lang nach der Erstinstallation eingeschaltet bleiben, damit sich der interne Akku vollständig aufladen kann. Angeschlossene Geräte beziehen sofort Netzwechselstrom (falls vorhanden), wenn die USV angeschlossen und eingeschaltet wurde. Einige angeschlossene Geräte profitieren jedoch möglicherweise nur dann von einer vollständigen Akku-Sicherung bei einem Stromausfall oder einem schwerwiegenden Spannungsabfall, wenn der interne Akku vollständig geladen ist.



Standardbetrieb



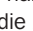
USV AN/AUS

- **Schließen Sie die USV an einer geerdeten Steckdose an.**
- **Schalten Sie die USV ein:** Drücken und halten Sie die -Taste 2 Sekunden lang. Nach zwei Sekunden wird ein kurzer Alarmton ausgegeben.
- **Schließen Sie Geräte an die USV an:** Ihre USV wurde nur für die Unterstützung von elektronischen Geräten entwickelt. Wenn die gesamte Volt-Ampere-Nennleistung (VA) von allen an die Anschlüsse mit Akku-/Kurzschluss-/Lärmschutz angeschlossenen Geräte die Ausgangskapazität der USV überschreitet, wird die USV überladen. Den geschätzten Energiebedarf Ihrer Ausrüstung finden Sie auf dem Typenschild. Wenn der Nennwert in Ampere angegeben ist, multiplizieren Sie die Anzahl der Ampere mit 230, um den VA-Nennwert zu bestimmen. (Beispiel: 1 Ampere × 230 V = 230 VA). Wenn auf dem Display 100 % Ladung angezeigt wird, ist Ihre USV vollständig geladen.
- **Zum Ausschalten der USV:** Drücken und halten Sie die -Taste 2,5 Sekunden lang. Nach 2,5 Sekunden ertönt ein einmaliger Piepton.

LCD

Das LCD-Display zeigt verschiedene Betriebszustände der USV an. Die jeweilige Beschreibung trifft zu, wenn die USV an eine Wechselstrom-Steckdose angeschlossen und eingeschaltet ist. Das LCD-Display kann zum einfachen Ablesen gedreht werden, unabhängig davon, ob die USV horizontal oder vertikal (Turmposition) ausgerichtet ist. Um das Display zu drehen, führen Sie ein kleines Werkzeug in die Schlitzlöcher an den Seiten des Displays ein, um es aus dem USV-Gehäuse zu drücken, drehen Sie das Display und lassen Sie es wieder im USV-Gehäuse einrasten.

LCD-Funktionen

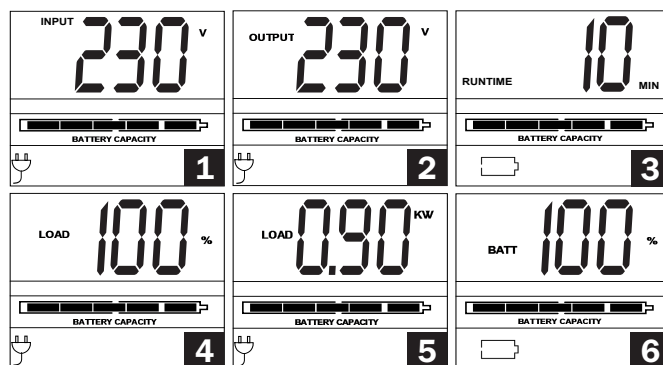
Tippen Sie auf die -Taste, um von einem Bildschirm zum nächsten zu wechseln. Verwenden Sie die -Taste, um die Einstellungen für Stromempfindlichkeitssteuerung, die Einstellung der externen Batterie, die Bildlaufsteuerung, den Alarm, die LCD-Helligkeit und den Selbsttest zu ändern. Die ausgewählte Option ist diejenige, die zuletzt vor dem Verlassen dieser Menüoption angezeigt wird. Wenn Sie die gewünschte Einstellung ausgewählt haben, halten Sie die -Taste gedrückt. Wenn der Bildschirm 20 Sekunden lang inaktiv ist, kehrt das LCD-Display zum Startbildschirm zurück und behält die zuletzt gewählten Einstellungen bei.

Strombedingungen anzeigen




Mit der -Taste können Sie die Strombedingungen durchgehen.

1. Eingangsspannung
2. Ausgangsspannung
3. Geschätzte Laufzeit (in Minuten)
4. Ladung %
5. Ladung (in Watt)*
6. Batteriekapazität %


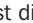
*Die Ladung wird bis maximal „999“ in Watt und anschließend in Kilowatt angezeigt.



Enable/Disable Alarm



Tippen Sie wiederholt die -Taste an, um zum LCD-Display mit dem Symbol  weiterzuschalten. Drücken Sie die -Taste, um die Einstellungen zu den Alarmmodi ON bzw. OFF auszuwählen. Die ausgewählte Option ist diejenige, die zuletzt vor dem Verlassen dieser Menüoption angezeigt wird.

LCD-Helligkeit

Tippen Sie wiederholt die -Taste an, um zur mit „LCD“ gekennzeichneten LCD-Helligkeitsanzeige vorzugehen. Drücken Sie die -Taste, um mittelstarke Hintergrundbeleuchtung (Standardeinstellung), starke Hintergrundbeleuchtung oder schwache Hintergrundbeleuchtung auszuwählen. Die ausgewählte Option ist diejenige, die zuletzt vor dem Verlassen dieser Menüoption angezeigt wird.

Hinweis: Nach 2-minütiger Inaktivität geht die Hintergrundbeleuchtung zur ausgewählten Einstellung zurück, bis eine Taste gedrückt wird.

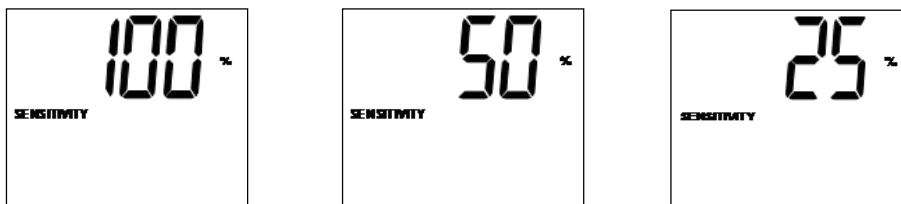
Selbsttest

Tippen Sie regelmäßig die -Taste an, um zur TEST BATT-Anzeige vorzugehen. Drücken Sie die -Taste, um den Test zu starten. Der Test dauert etwa 10 Sekunden. Die USV wechselt auf Akkubetrieb, um die Kapazität mit einer Ladung zu testen. Nach Abschluss des Tests wird 20 Sekunden lang entweder PAS oder BAD (Test bestanden bzw. nicht bestanden) angezeigt, dann erscheint wieder der Startbildschirm. Angeschlossene Geräte dürfen während des Tests eingeschaltet bleiben. Stecken Sie Ihre USV nicht aus; hierdurch fiele die sichere elektrische Erdung weg.

Standardbetrieb

Stromempfindlichkeit

Tippen Sie die -Taste wiederholt an, um zur Empfindlichkeitsanzeige vorzugehen, siehe Beschreibung:



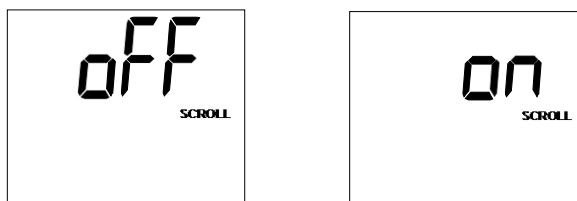
Drücken Sie die -Taste, um die Optionen durchzugehen. Die ausgewählte Option ist diejenige, die zuletzt vor dem Verlassen dieser Menüoption angezeigt wird.

Diese Einstellung ist normalerweise auf 100 % festgelegt, damit die USV im AC-Eingang vor Kurvenverzerrungen schützen kann. Während dieser Verzerrungen wechselt die USV normalerweise zur PWM-Sinuskurvenenergie der Batteriereserven. In manchen Bereichen mit unzureichendem Netzstrom oder wenn der USV-Eingangstrom von einem Generator kommt, kann es zu häufigen Spannungsabfällen und/oder anhaltenden Kurvenverzerrungen kommen, sodass die USV zu oft zur Batterieenergie wechselt und die Batteriereserven verbraucht. Möglicherweise können Sie reduzieren, wie oft die USV bei Kurvenverzerrungen oder Spannungsabfällen zur Batterie wechselt, indem Sie verschiedene Einstellungen ausprobieren. Wenn die Einstellung niedriger gewählt wird, toleriert das USV mehr Variationen der AC-Kurven in seiner Eingangsleistung.

Hinweis: Wenn Sie die verschiedenen Einstellungen ausprobieren, betreiben Sie die angeschlossenen Geräte in einem sicheren Testmodus, damit die Auswirkungen der Kurvenverzerrungen im USV-Ausgang evaluiert werden können, ohne den Betrieb zu unterbrechen. Dieses Experiment sollte so lange andauern, bis alle erwarteten Leitungszustände aufgetreten sind.

Scroll-Steuerung

Tippen Sie die -Taste wiederholt an, um zur Scroll-Anzeige vorzugehen, siehe Beschreibung:



Drücken Sie die -Taste, um zur nächsten verfügbaren Option vorzugehen. Die ausgewählte Option ist diejenige, die zuletzt vor dem Verlassen dieser Menüoption angezeigt wird.

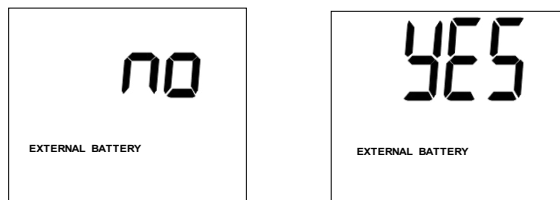
Über diese Anzeigeoption kann der Benutzer die Option auswählen, über die automatisch zu jedem Betriebszustand der USV (z. B. Eingangsspannung, Ausgangsspannung und Betriebsdauer) gescrollt wird.

Hinweise:

1. Jede Bedingung wird in 2-Sekunden-Intervallen angezeigt.
2. Wenn bei aktivem Scroll-Modus eine Taste gedrückt wird, wird die Scroll-Funktion 10 Sekunden lang pausiert, damit der Benutzer manuell eine Menüauswahl treffen kann.

Externe Batterieeinstellungen (gilt nur für XL-Modell)

Tippen Sie die -Taste wiederholt an, um zur Anzeige für externe Batterieeinstellungen vorzugehen, siehe Beschreibung:



Drücken Sie die -Taste, um zur nächsten verfügbaren Option vorzugehen. Die ausgewählte Option ist diejenige, die zuletzt vor dem Verlassen dieser Menüoption angezeigt wird.

Hinweis: Die Akkulaufzeit wird auf der Grundlage dieser Einstellung berechnet.

Mit dieser Funktionseinstellung kann der Benutzer die USV für die Verwendung mit externem Akku oder ohne externen Akku konfigurieren. Die Laufzeit wird automatisch neu konfiguriert.

Hinweis: Die Akkus können nicht in Serie miteinander verbunden werden, Es kann nur ein Akku an die USV angeschlossen werden.

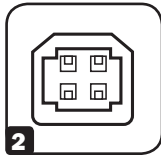
Fehlermeldungen

Falls der USV-Akku ersetzt werden muss, blinken das -Symbol und das -Symbol. Sollte es zu einer Überlastung kommen, blinken die Symbole , , und gleichzeitig mit dem in Ziffern angezeigten Lastprozentsatz.

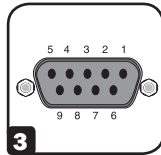
Eigenschaften



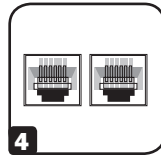
1 Akkusicherungs-/
Überspannungs-
schutz-Ausgänge



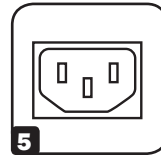
2 USB-Anschluss



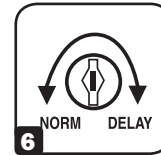
3 RS-232 Serial
Port (DB9)



4 Telefon/DSL/
Ethernet-
Schutzanschlüsse



5 Wechselstrom-
eingang



6 Einstellung der
Stromempfindlichkeit



7 Trennschalter

1 Akkusicherungs-/Überspannungsschutz-Ausgänge: Diese Ausgänge vom Typ IEC-320 C13 sorgen sowohl für Akkusicherung als auch für Überspannungsschutz. Stecken Sie einen Computer, einen Monitor und weitere kritische Geräte in diese Ausgänge ein.

! Stecken Sie keine Laserdrucker in diese Ausgänge ein.

2 USB-Kommunikationsanschluss: Dieser Anschluss verbindet die USV mit einem Computer, um Dateien automatisch zu speichern und den Computer bei einem lang anhaltenden Stromausfall herunterzufahren. Nutzen Sie ihn mit der PowerAlert® Software von Tripp Lite (auf www.tripplite.com als KOSTENLOSER Download erhältlich) und einem geeigneten USB- oder DB9-Kabel. Im Lieferumfang Ihrer USV kann ein USB- oder DB9-Kabel enthalten sein. Wenn das entsprechende Kabel nicht im Lieferumfang Ihrer USV enthalten war, können Sie anschließend ein beliebiges DB9- oder USB-Kabel verwenden, um die USV an Ihren Computer anzuschließen.

Hinweise:

- Diese Verbindung ist optional. Die USV funktioniert auch ohne diesen Anschluss ordnungsgemäß.
- Das USV-System ist im Hinblick auf Kommunikation mit den meisten integrierten Stromversorgungsanwendungen unter Windows®, Macintosh® und Linux® kompatibel.

3 Kontaktschlusskommunikation (über RS-232-Anschluss): Der RS-232-Anschluss verfügt über eine Kontaktschluss-Kommunikationsfunktion, die die Kommunikation mit angeschlossenen Geräten ermöglicht, die USB- oder RS-232-Kommunikation nicht unterstützen. Wenn sich die USV im Normalmodus befindet, werden die Pins 1 und 9 überbrückt. Wenn sich die USV im Sicherungsmodus befindet, werden die Pins 1 und 8 überbrückt.

4 Telefon/DSL/Ethernet-Schutzanschlüsse: RJ45-Anschlüsse bieten Überspannungsschutz für eine einzige Telefon-, Fax-, Modem- DSL- oder Ethernet-Leitung. Verbinden Sie ein Telefon- oder Ethernetkabel direkt vom Wandanschluss oder dem ursprünglichen Datenquellenanschluss mit dem mit „IN“ beschrifteten Telefon/DSL/Ethernet-Anschluss. Verbinden Sie ein Telefon- oder Ethernetkabel direkt von einem Gerät mit dem mit „OUT“ beschrifteten Telefon/DSL/Ethernet-Anschluss. Das USV-System muss als Erstes mit dem Wandanschluss oder dem ursprünglichen Datenquellenanschluss verbunden werden. Das USV-System muss an eine geerdete Netzsteckdose angeschlossen werden, um Überspannungsschutz für angeschlossene Geräte bieten zu können. Der Anschluss von Geräten an diese Buchsen ist optional. Die USV funktioniert auch ohne diesen Anschluss ordnungsgemäß. Diese Anschlüsse sind nicht mit PoE (Power over Ethernet)-Anwendungen kompatibel.

5 AC-Eingang: Dieser Stecker vom Typ IEC-320 C14 kann mit einem vom Benutzer gewählten, für Netzsteckdosen geeigneten Stromkabel betrieben werden.

6 Stromempfindlichkeitseinstellung: Standardmäßig ist eine vollständige Drehung gegen den Uhrzeigersinn eingestellt. Über die Standardeinstellung kann die USV vor Wellenformverzerrungen der Wechselstromeingangsspannung geschützt werden, indem auf Akkubetrieb gewechselt wird, solange das Problem besteht. Bei Einsatzorten mit nicht dem Standard entsprechendem Netzstrom oder mit Generatorsturm kann eine chronische Wellenformverzerrung (bzw. ein häufiger Spannungsabfall) dazu führen, dass die USV zu oft in den Akkumodus wechselt und ihre Akkureserven aufbraucht. Das Maß an Schutz für einen bestimmten Einsatzort kann durch Experimentieren mit Empfindlichkeitseinstellungen optimiert werden. Wenn Sie den Einstellknopf im Uhrzeigersinn drehen, toleriert das USV mehr Variationen.



WARNUNG: Wenn das Gerät verzerrten Wechselstrom-Wellenformen ausgesetzt wird, kann dies zu einer Fehlfunktion führen. Beim Experimentieren mit Empfindlichkeitseinstellungen sollten Sie angeschlossene Geräte in einem sicheren „Testmodus“ betreiben, um die Ergebnisse ohne kritische Betriebsstörungen auswerten zu können. Testen Sie solange weiter, bis alle erwarteten Leitungszustände aufgetreten sind.

7 Trennschalter: Wenn der von den an die USV angeschlossenen Geräten bezogene Strom länger als ein paar Sekunden die maximale Tragfähigkeit übersteigt, wird der Trennschalter aktiviert und der Netzstrom unterbrochen, um mögliche Geräteschäden zu vermeiden. Wenn der Trennschalter aktiviert wird, schiebt sich der zugehörige Kolben nach oben. Trennen Sie überzählige Geräte und lassen Sie den Trennschalter eine Minute lang abkühlen. Drücken Sie anschließend den Kolben nach unten, um den Trennschalter zurückzusetzen.

Akkuwechsel

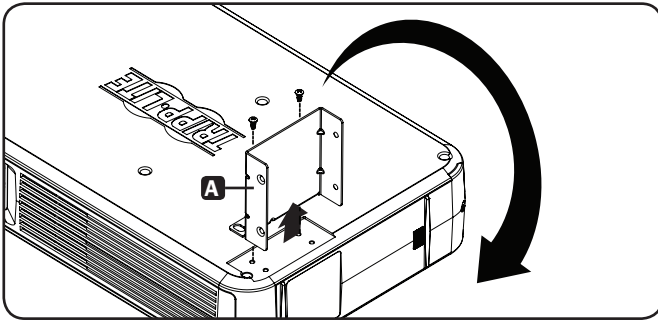
Unter normalen Bedingungen halten drei Originalakkus in Ihrer USV mehrere Jahre lang. Lesen Sie den Abschnitt „Sicherheit“, bevor Sie Akkus wechseln. Die Akkus sind für einen Hot-Swap-Austausch konzipiert (d.h. die USV verbleibt im Modus „EIN“), wenn sich die USV in vertikaler oder Regalposition befindet. Manche qualifizierten Servicekräfte bevorzugen es jedoch, die USV in den Modus „AUS“ zu versetzen und Geräte zu trennen, bevor sie fortfahren. Wenn der Akku ausgetauscht werden muss und die USV in einem Rack mit 2 oder 4 Säulen montiert wurde, wird empfohlen, die USV in den Modus „AUS“ zu versetzen und Geräte zu trennen, bevor fortgefahren wird.

Hinweis: Die R.B.C.-Teilenummer finden Sie auf dem Etikett auf der Akkufachabdeckung.

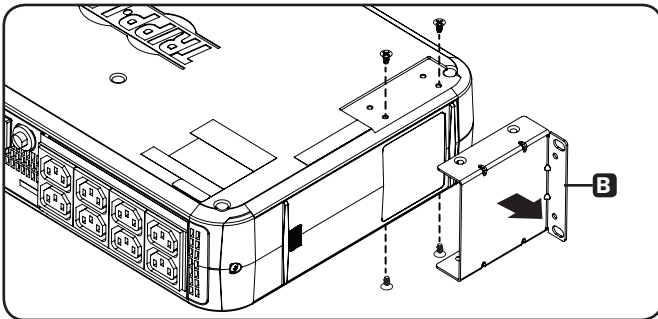
Vorgehensweise beim Akkuwechsel

1 Entfernen Sie die Montagehalterung.

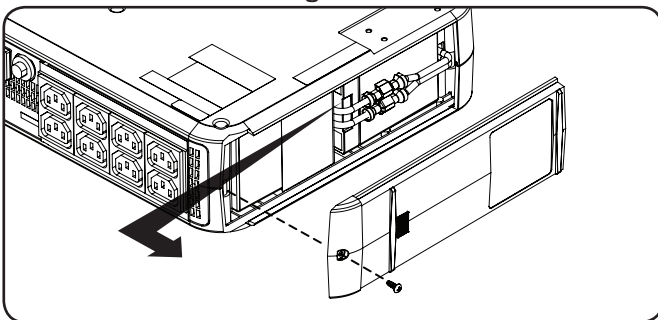
Senkrechte Installation: Legen Sie die USV seitlich um und entfernen Sie die Halterung auf der Unterseite **A**.



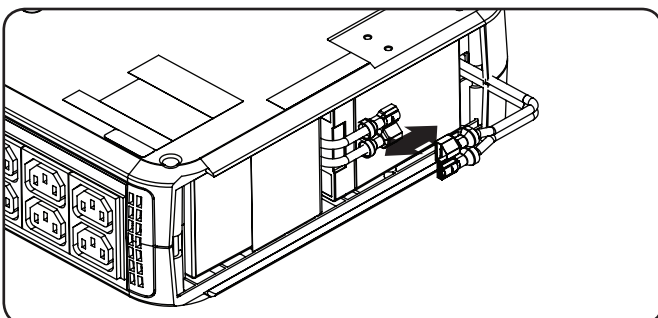
Rack-Installation: Nehmen Sie die USV aus dem Rack und entfernen Sie dann die linke Montagehalterung **B**.



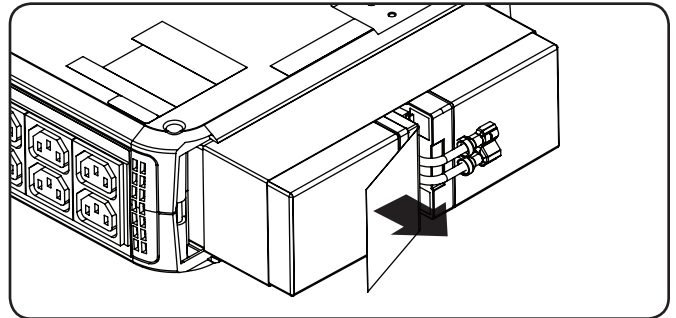
2 Entfernen Sie die Halteschraube der Akkufachabdeckung sowie die Akkufachabdeckung.



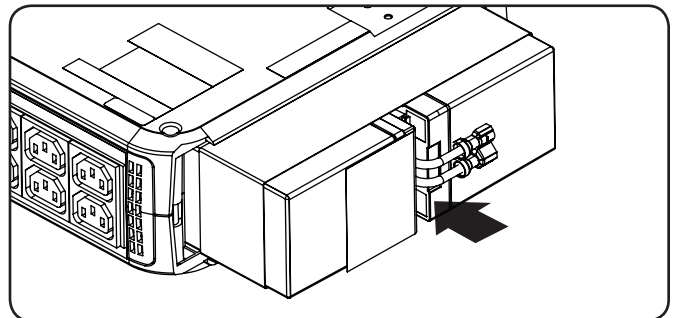
3 Trennen Sie die Akkus.



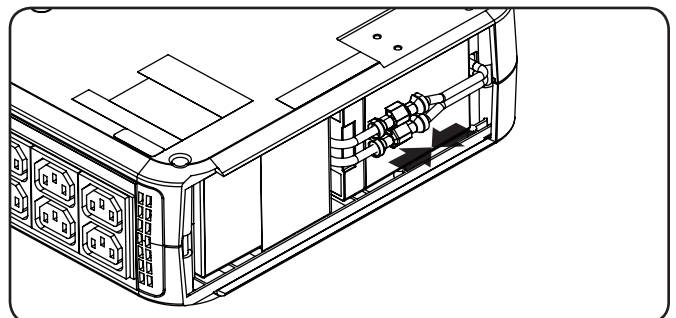
4 Entfernen/recyclen* Sie die Akkus.



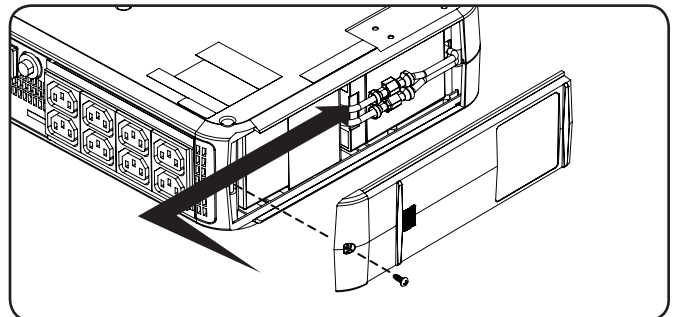
5 Legen Sie neue Akkus ein.



6 Verbinden Sie die Akkus.



7 Bringen Sie die Akkufachabdeckung wieder an und ziehen Sie die Halteschraube fest.



8 Platzieren Sie die USV in einer waagerechten oder senkrechten (Turm-) Position. Weitere Informationen finden Sie unter **Schnellinstallation**.

Akkuwechsel

*USV- und Akku-Entsorgung



Bitte recyceln Sie die Akkus Ihrer Tripp Lite-Produkte. Die in Tripp Lite-Produkten verwendeten Batterien sind geschlossene Blei-Säure-Batterien. Diese Akkus sind sehr gut recyclingfähig. Bitte ziehen Sie die örtlichen Entsorgungsvorschriften zu Rate.

Rufen Sie Tripp Lite unter +1 773 869 1234 an, um Recyclinginformationen zu erhalten.

Aktuelle Informationen zum Recycling von Akkus oder Tripp-Lite-Produkten finden Sie auf der Tripp-Lite-Website. Bitte folgen Sie diesem Link: <http://www.tripplite.com/support/recycling-program/>

Lagerung und Wartung

Lagerung

Um eine Akkuchladung zu verhindern, sollten alle angeschlossenen Geräte ausgeschaltet und von der USV getrennt werden. Halten Sie die Taste „EIN/AUS“ eine Sekunde lang gedrückt. Ihre USV wird vollständig abgeschaltet (deaktiviert) und ist bereit, gelagert zu werden. Falls Sie planen, Ihre USV über einen längeren Zeitraum zu lagern, laden Sie die USV-Akkus einmal alle drei Monate vollständig auf. Schließen Sie die USV an einer stromführenden Wechselstrom-Steckdose an, schalten Sie sie durch Gedrückthalten der Taste „EIN/AUS“ (eine Sekunde lang) ein und lassen Sie die Akkus 24 Stunden aufladen. Wenn die USV-Akkus lange Zeit nicht aufgeladen werden, wird die Ladekapazität dauerhaft verringert.

Wartung

Tripp Lite bietet auch verschiedene Optionen für die Garantieverlängerung und den Vor-Ort-Service an. Weitere Serviceinformationen finden Sie auf www.tripplite.com/support. Bevor Sie Ihr Produkt zur Reparatur zurücksenden, führen Sie die folgenden Schritte aus:


1. Überprüfen Sie die Installations- und Betriebsverfahren, die in diesem Handbuch beschrieben sind, um sicherzustellen, dass das Problem nicht durch falsche Handhabung verursacht wurde.
2. Wenn das Problem erneut auftritt, wenden Sie sich nicht an den Händler und geben Sie das Produkt nicht an den Händler zurück. Besuchen Sie stattdessen www.tripplite.com/support.
3. Wenn das Problem den Service erforderlich macht, besuchen Sie www.tripplite.com/support und klicken Sie auf den Link „Product Returns“. Hier können Sie eine RMA-Nummer (Returned Material Authorization) anfordern, die für den Service erforderlich ist. Geben Sie das Modell und die Seriennummer des Produkts sowie andere allgemeine Käuferinformationen im Online-Formular ein. Sie erhalten die RMA-Nummer und die Versandinformationen in einer E-Mail. Beschädigungen (direkt, indirekt, besonders oder Folgeschäden) des Produkts, die während des Transports an Tripp Lite oder ein autorisiertes Tripp Lite-Servicecenter verursacht werden, sind nicht von der Garantie abgedeckt. Die Transportkosten für Produkte, die an ein Tripp Lite oder ein autorisiertes Tripp Lite-Servicecenter gesendet werden, müssen im Voraus bezahlt werden. Geben Sie die RMA-Nummer auf dem Paket an. Wenn die Produktgarantie nicht abgelaufen ist, legen Sie dem Paket eine Kopie des Kaufbelegs bei. Senden Sie das Produkt mit einem versicherten Transportunternehmen an die Adresse, die Sie zusammen mit der RMA-Nummer erhalten haben.

Regulatorische Konformität

Identifizierungsnummern für ordnungsrechtliche Compliance

Zum Zweck von Zertifizierungen und Identifizierung von gesetzlichen Bestimmungen wurde Ihrem Tripp Lite-Produkt eine eindeutige Seriennummer zugewiesen. Die Seriennummer ist auf dem Typenschild des Produkts zu sehen, zusammen mit allen erforderlichen Genehmigungskennzeichen und Informationen. Wenn Sie Compliance-Informationen für dieses Produkt anfordern, geben Sie immer diese Seriennummer an. Die Seriennummer sollte nicht mit dem Marketingnamen oder der Modellnummer des Produkts verwechselt werden.

WEEE-Compliance-Informationen for Tripp Lite-Kunden und Recycler (Europäische Union)

 Die WEEE-Richtlinie und deren Ausführungsbestimmungen besagen, dass Kunden, die neue Elektro- oder Elektronikgeräte von Tripp Lite kaufen, ein Anrecht auf Folgendes haben:

- Rücksendung von Altgeräten zum Recycling beim Kauf eines neuen, gleichwertigen Geräts (dies variiert je nach Land)
- Rücksendung der neuen Geräte zum Recycling, wenn ihr Lebenszyklus abgelaufen ist

Tripp Lite hat den Grundsatz, sich kontinuierlich zu verbessern. Spezifikationen können ohne Ankündigung geändert werden. Fotos und Illustrationen können von den tatsächlichen Produkten leicht abweichen.



1111 W. 35th Street, Chicago, IL 60609 USA • www.tripplite.com/support