

**WARRANTY
REGISTRATION:**
register online today for a
chance to win a FREE Tripp Lite
product—www.tripplite.com/warranty



Owner's Manual

SmartRack™ Accessories

Model: SRCABLELADDER



1 – Introduction	2
1-1 Parts List	2
1-2 Tools Required	2
2 – Important Safety Instructions	2
3 – Installation	3
3-1 Planning	3
3-2 Ladder Modification (Optional)	4
3-3 Ladder Assembly	4
3-4 Installation Across Aisle	5
3-5 Installation Within Row	6
3-6 Ground Connection	7
4 – Storage and Service	8
5 – Warranty and Warranty Registration	8
Español	9
Français	17



1111 W. 35th Street, Chicago, IL 60609 USA
www.tripplite.com/support

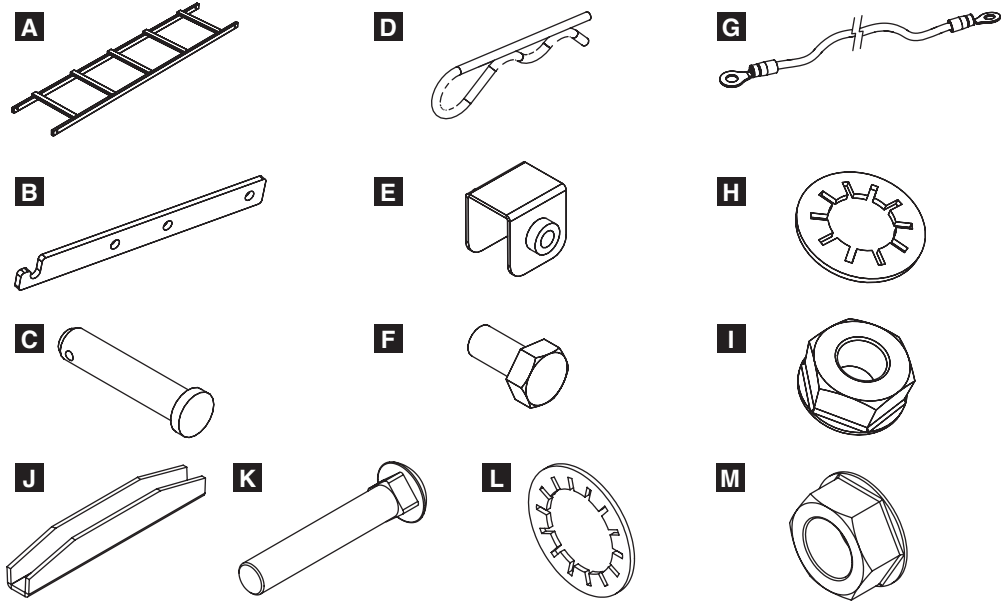
Copyright © 2011 Tripp Lite. All trademarks are the sole property of their respective owners.

1 – Introduction

SRCABLELADDER provides roof-mounted cable routing for Tripp Lite's SmartRack Enclosures, allowing cable bundles to span aisles and/or spaces between enclosures in the same row. *Note: Standard installation of SRCABLELADDER requires Tripp Lite's SRCABLETRAY accessory, sold separately.*

1-1 Parts List

- A** Ladder Sections (2)
- B** Assembly Brackets (4)
- C** Clevis Pins (8)
- D** Cotter Pins (8)
- E** Ground Brackets (2)
- F** M6 Hex-Head Bolts (2)
- G** 24-inch Ground Cables (3)
- H** M6 Lock Washers (4)
- I** M6 Hex Nuts (2)
- J** Ladder Clamp (4)
- K** M10x60 mm Carriage Bolts (2)
- L** M10 Lock Washers (2)
- M** M10 Hex Nuts (2)



If any parts are missing, visit www.tripplite.com/support.

1-2 Tools Required

- 13 mm Wrench or Crescent Wrench
- Tape Measure
- Hacksaw (optional)
- Drill with 3/8-inch Bit (optional)

2 – Important Safety Instructions

SAVE THESE INSTRUCTIONS

This manual contains instructions and warnings that must be followed during the installation and operation of the product described in this manual. Read all instructions and warnings thoroughly before attempting installation. Failure to comply may invalidate the warranty and cause property damage and/or personal injury.

- Install in a controlled indoor environment, away from moisture, temperature extremes, flammable liquids and gasses, conductive contaminants, dust and direct sunlight.
- Provide suitable grounding in accordance with all applicable electrical wiring regulations.
- Do not attempt to climb or walk across any part of the ladder.
- When using tools to cut or drill metal, use eye protection and follow all other safety precautions recommended by the tool manufacturer and required by applicable safety regulations.
- Use caution and wear safety gloves when handling metal parts that have been cut to length. Sharp edges can cause personal injury and property damage.
- Use of this equipment in life support applications where failure of this equipment can reasonably be expected to cause the failure of the life support equipment or to significantly affect its safety or effectiveness is not recommended. Do not use this equipment in the presence of a flammable anesthetic mixture with air, oxygen or nitrous oxide.

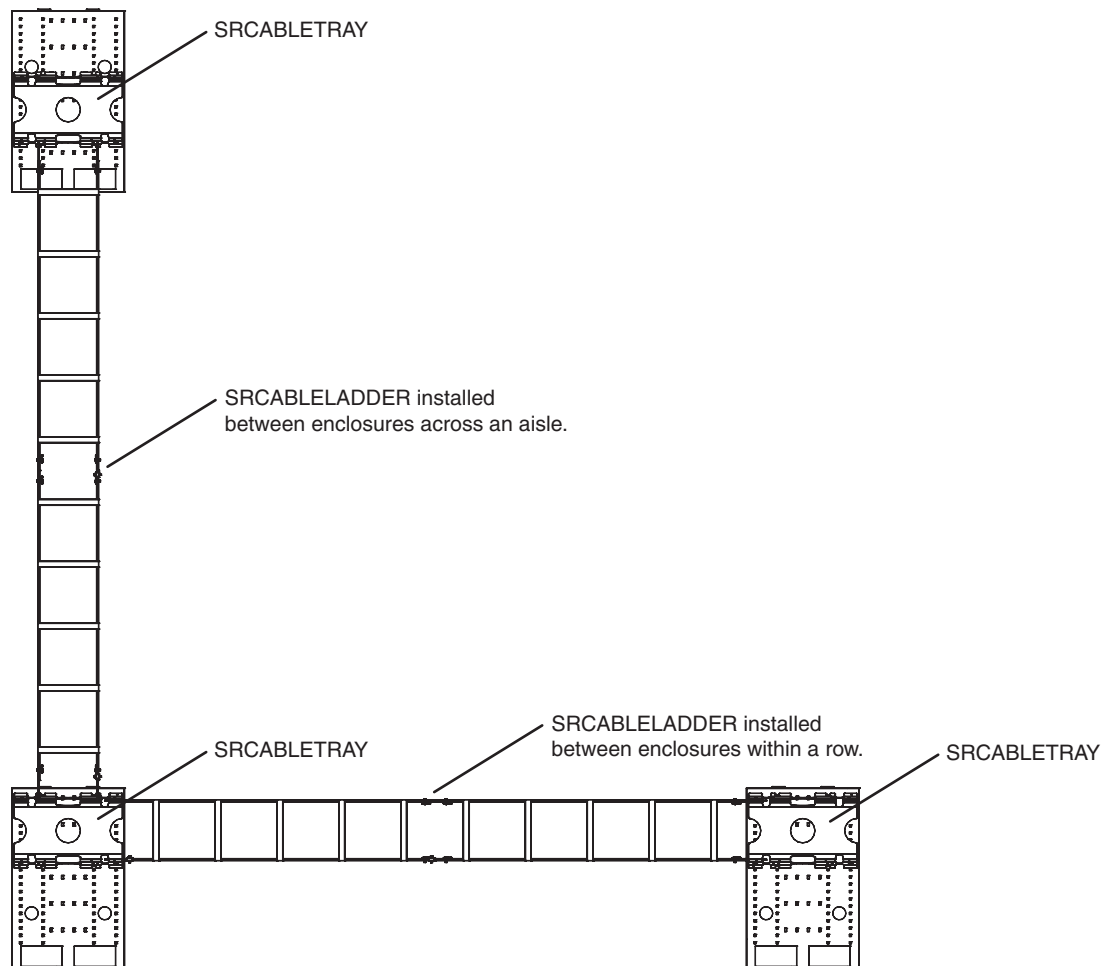
3 – Installation

Note: Prior to installation, you must install the SRCABLETRAY accessory (sold separately) on each enclosure that will be linked by the SRCABLELADDER accessory. For ordering information, visit www.tripplite.com.

3-1 Planning

SRCABLELADDER can provide enclosure-to-enclosure cable routing across an aisle or within a single row. You can combine multiple SRCABLELADDER and SRCABLETRAY accessories to meet the cable routing needs of almost any configuration of SmartRack Enclosures, but planning and measurement are required to ensure a secure fit. Tripp Lite recommends that you read the entire manual in advance to gain a clear understanding of the installation process and accessory positioning.

Sample Cable Routing Configuration (Top View)



Use a tape measure to determine the distance that SRCABLELADDER will bridge. (Preassembling the ladder sections will allow you to observe their attachment points in place for a more accurate measurement.)

The standard length of SRCABLELADDER is 10 feet. If the standard length and the distance between attachment points differ, adjusting the position of the SRCABLETRAY accessories will allow you to change the distance between attachment points. If necessary, you can use a single ladder section instead of two sections, reducing the overall ladder length to approximately 5 feet. In addition, the assembly brackets at the ends of the ladder sections will allow minor adjustments if you install them without pins, and you can add a few inches to the length of the ladder by using the alternate pin holes for assembly. If the available adjustments will not accommodate the SRCABLELADDER accessory, you must cut one of the ladder sections. See **Section 3-2 Ladder Modification** for instructions. If the SRCABLELADDER accessory will fit without modification, proceed to **Section 3-3 Ladder Assembly**.

3 – Installation (continued)

3-2 Ladder Modification (Optional)

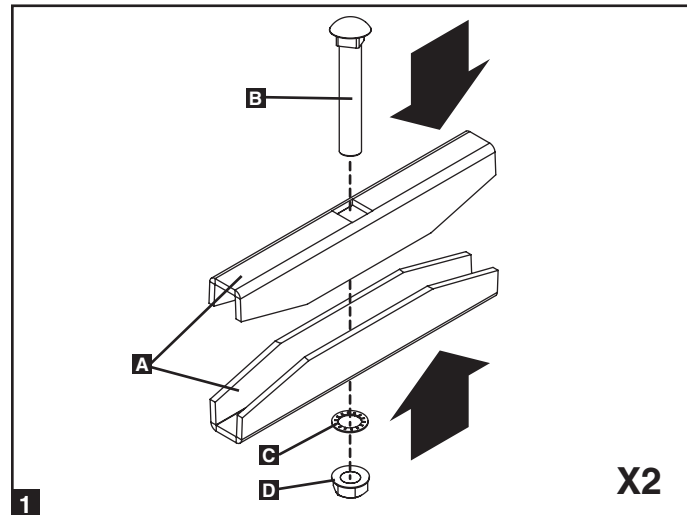
Warning: When using tools to cut or drill metal, use eye protection and follow all other safety precautions recommended by the tool manufacturer and required by applicable safety regulations. Use caution and wear safety gloves when handling metal parts that have been cut to length. Sharp edges can cause personal injury and property damage.

Note: Do not modify the SRCABLELADDER accessory unless you have followed the instructions in Section 3-1 Planning and determined that modification is required. If modification is not required, proceed to Section 3-3 Ladder Assembly.

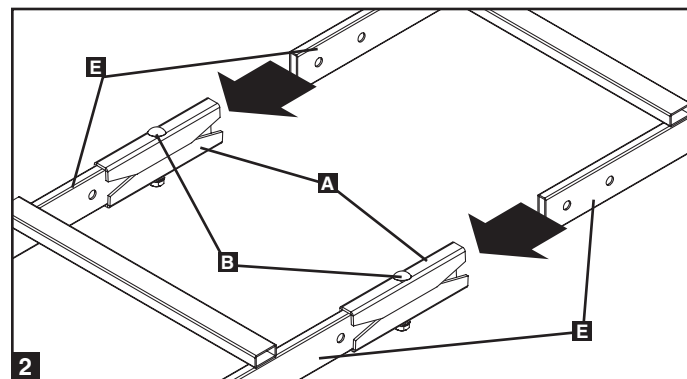
- 1 Measure and mark the cable ladder section that will be cut.
- 2 Use a hacksaw or other metal-cutting tool to cut through the ladder section. Make sure your cut is perpendicular to the length of the ladder and use a metal-cutting tool that will not bend or crush the ladder section.
- 3 (Optional) After cutting, use a drill with a 3/8-inch bit to drill new pin holes in end of the ladder section. Compare the modified end of the ladder section with the unmodified end to determine where holes should be drilled. Make sure that the hole location matches your planning and measurements. You may omit this step, but drilling the pin holes and installing the pins will make the SRCABLELADDER accessory more stable.

3-3 Ladder Assembly

- 1 Assemble the two ladder clamps **A** with the M10 carriage bolts **B**, washers **C** and hex nuts **D** as seen in the diagram. For now, only tighten the nuts far enough to keep the clamps assembled together.



- 2 Join the ladder sections **E** by inserting each side into the ladder clamps **A** until they are stopped by the bolts **B**. When the sections are joined, you can now secure the clamp by fully tightening the nuts.

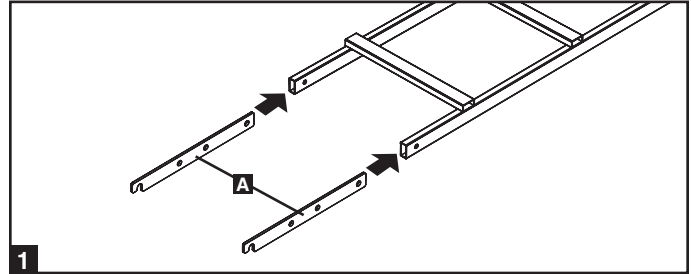


3 – Installation (continued)

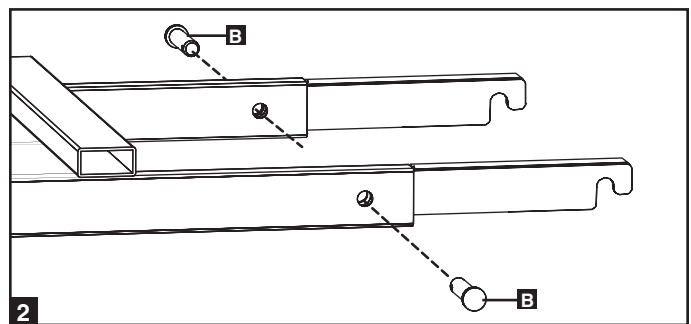
3-4 Installation Across Aisle

Note: Follow the instructions in this section only if the SRCABLELADDER accessory will be installed across an aisle. If the SRCABLELADDER accessory will be installed within a row of enclosures, follow the instructions in Section 3-5 Installation Within Row instead.

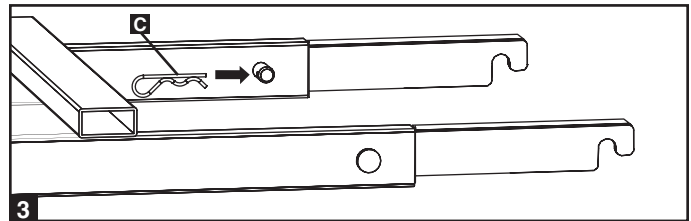
- 1** Insert four assembly brackets **A** into the ends of the ladder. The hooked ends of the brackets should be exposed. When the ladder is oriented so that the ladder's rungs are above the ladder's side rails, the hooked ends of the brackets should point down, as shown in the drawing.



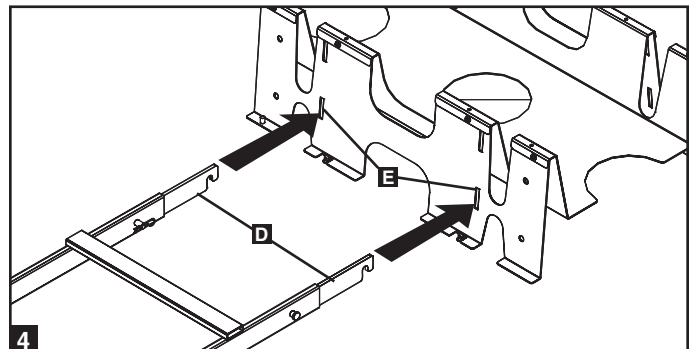
- 2** Align the pin holes in the ladder sections with the pin holes in the assembly brackets and insert clevis pins **B** into the pin holes (4 total). This step may be omitted to provide additional installation flexibility, but installing the pins will make the SRCABLELADDER accessory more stable. **Warning: If you choose not to install the clevis pins, make sure at least 25% of the length of each assembly bracket is inside the ladder.**



- 3** After inserting the clevis pins, insert a cotter pin **C** through the hole at the end of each clevis pin. (The straight section of the cotter pin goes through the hole.)



- 4** Using an assistant, lift the SRCABLELADDER accessory (rungs upward) and insert the exposed hook ends of the assembly brackets **D** into the corresponding slots **E** in the SRCABLETRAY accessories installed at the top of each enclosure. The hooks should fit the slots securely by sliding down to engage the edge of the slot. *Note: There are two levels of slots. Use the slots that match your application best.*

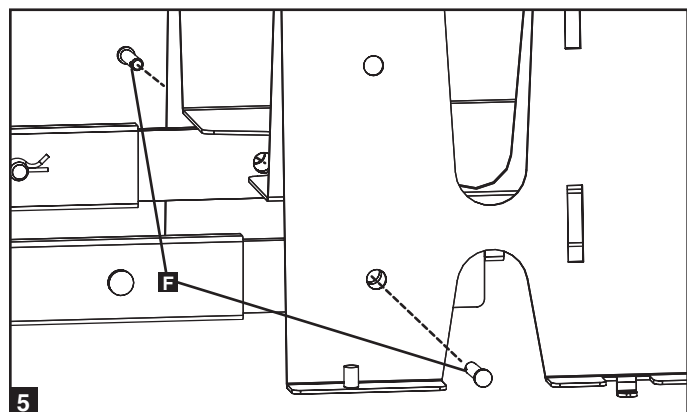
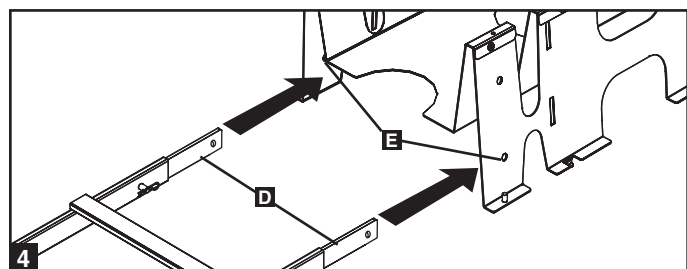
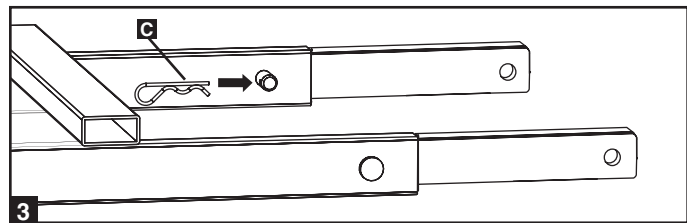
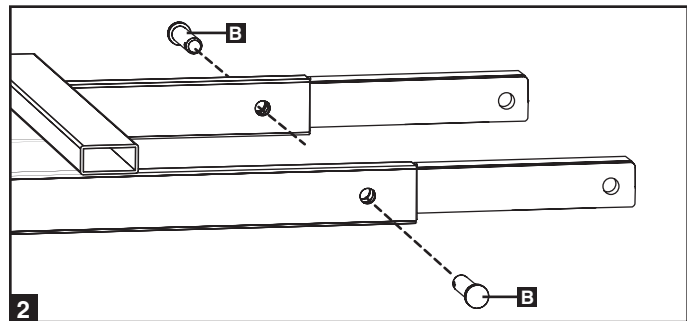
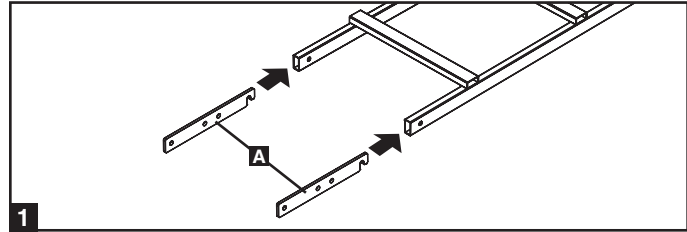


3 – Installation (continued)

3-5 Installation Within Row

Note: Follow the instructions in this section only if the SRCABLELADDER accessory will be installed within a row of enclosures. If the SRCABLELADDER accessory will be installed across an aisle, follow the instructions in **Section 3-4 Installation Across Aisle** instead.

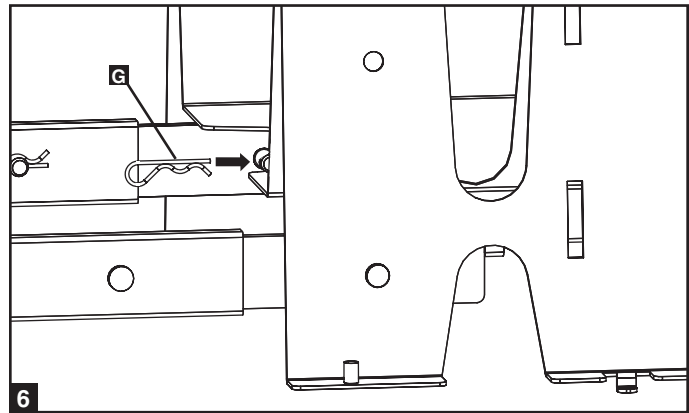
- 1** Insert four assembly brackets **A** in the open ends of the ladder, hooked end first. When the ladder is oriented so that the ladder's rungs are above the ladder's side rails, the hooked ends of the brackets should point down, as shown in the drawing.
- 2** Align the pin holes in the ladder sections with the pin holes in the assembly brackets and insert clevis pins **B** into the pin holes (4 total). This step may be omitted to provide additional installation flexibility, but installing the pins will make the SRCABLELADDER accessory more stable. **Warning: If you choose not to install the clevis pins, make sure at least 25% of the length of each assembly bracket is inside the ladder.**
- 3** After inserting the clevis pins, insert a cotter pin **C** through the hole at the end of each clevis pin. (The straight section of the cotter pin goes through the hole.)
- 4** Using an assistant, lift the SRCABLELADDER accessory (rungs upward) and align the holes at the ends of the assembly brackets **D** with the corresponding holes **E** in the SRCABLETRAY accessories installed at the top of each enclosure. Note: There are two levels of holes. Use the holes that match your application best.
- 5** Align the pin holes and insert clevis pins **F** into each of the pin holes (4 total).



3 – Installation (continued)

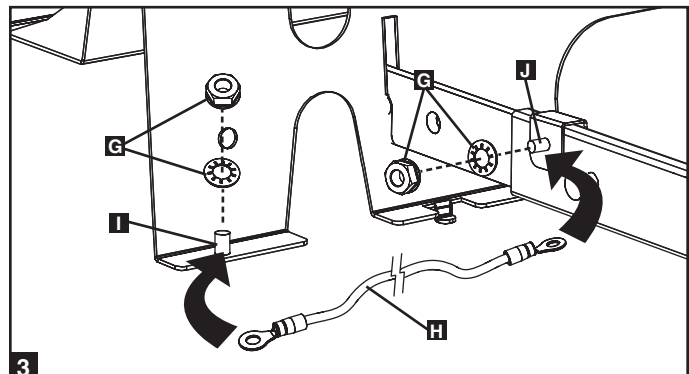
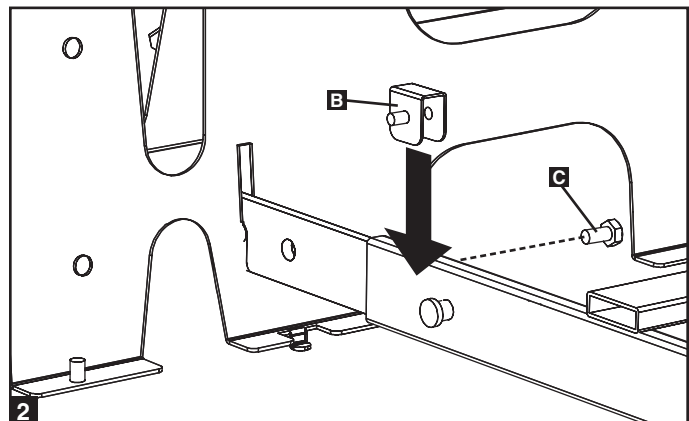
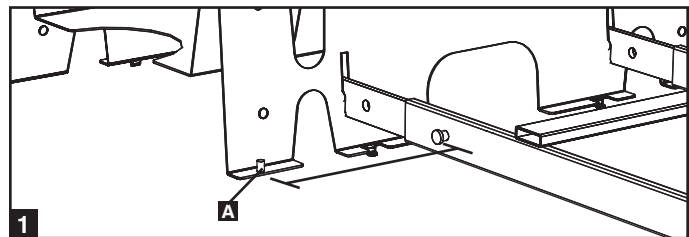
3-5 Installation Within Row (continued)

- 6 After inserting the clevis pins, insert a cotter pin **G** through the hole at the end of each clevis pin. (The straight section of the cotter pin goes through the hole.)



3-6 Ground Connection

- 1 After installing the SRCABLELADDER accessory, determine where to place ground brackets by noting the distance between one end of the ladder and the grounding post **A** at the corner of the nearest SRCABLETRAY accessory.
- 2 Place a ground bracket **B** near the end of the SRCABLELADDER accessory's leg and use a hex-head bolt **C** to secure it.
- 3 Use the included hex nuts and lock washers **G** to connect one end of the included ground cable **H** to a grounding post **I** at the corner of the nearest SRCABLETRAY accessory and connect the other end to the grounding post **J** of the ground bracket attached to the SRCABLELADDER accessory. Repeat steps 1 to 3 for the other end of the SRCABLELADDER accessory.



4 – Storage and Service

Storage

The unit must be stored in a clean, secure environment with a temperature less than 40° C (104° F) and a relative humidity less than 90% (non-condensing). Store the unit in its original shipping container if possible.

Service

Your Tripp Lite product is covered by the warranty described in this manual. A variety of Extended Warranty and On-Site Service Programs are also available from Tripp Lite. For more information on service, visit www.tripplite.com/support. Before returning your product for service, follow these steps:

1. Review the installation and operation procedures in this manual to insure that the service problem does not originate from a misreading of the instructions.
2. If the problem continues, do not contact or return the product to the dealer. Instead, visit www.tripplite.com/support.
3. If the problem requires service, visit www.tripplite.com/support and click the Product Returns link. From here you can request a Returned Material Authorization (RMA) number, which is required for service. This simple on-line form will ask for your unit's model and serial numbers, along with other general purchaser information. The RMA number, along with shipping instructions will be emailed to you. Any damages (direct, indirect, special or consequential) to the product incurred during shipment to Tripp Lite or an authorized Tripp Lite service center is not covered under warranty. Products shipped to Tripp Lite or an authorized Tripp Lite service center must have transportation charges prepaid. Mark the RMA number on the outside of the package. If the product is within its warranty period, enclose a copy of your sales receipt. Return the product for service using an insured carrier to the address given to you when you request the RMA.

5 – Warranty and Warranty Registration

Limited Warranty

Seller warrants this product, if used in accordance with all applicable instructions, to be free from original defects in material and workmanship for a period of 5 years from the date of initial purchase. If the product should prove defective in material or workmanship within that period, Seller will repair or replace the product, in its sole discretion.

THIS WARRANTY DOES NOT APPLY TO NORMAL WEAR OR TO DAMAGE RESULTING FROM ACCIDENT, MISUSE, ABUSE OR NEGLIGENCE. SELLER MAKES NO EXPRESS WARRANTIES OTHER THAN THE WARRANTY EXPRESSLY SET FORTH HEREIN. EXCEPT TO THE EXTENT PROHIBITED BY APPLICABLE LAW, ALL IMPLIED WARRANTIES, INCLUDING ALL WARRANTIES OF MERCHANTABILITY OR FITNESS, ARE LIMITED IN DURATION TO THE WARRANTY PERIOD SET FORTH ABOVE; AND THIS WARRANTY EXPRESSLY EXCLUDES ALL INCIDENTAL AND CONSEQUENTIAL DAMAGES. (Some states do not allow limitations on how long an implied warranty lasts, and some states do not allow the exclusion or limitation of incidental or consequential damages, so the above limitations or exclusions may not apply to you. This Warranty gives you specific legal rights, and you may have other rights which vary from jurisdiction to jurisdiction.)

Tripp Lite; 1111 W. 35th Street; Chicago IL 60609; USA

WARNING: The individual user should take care to determine prior to use whether this device is suitable, adequate or safe for the use intended. Since individual applications are subject to great variation, the manufacturer makes no representation or warranty as to the suitability or fitness of these devices for any specific application.

Warranty Registration

Visit www.tripplite.com/warranty today to register the warranty for your new Tripp Lite product. You'll be automatically entered into a drawing for a chance to win a FREE Tripp Lite product!*

* No purchase necessary. Void where prohibited. Some restrictions apply. See website for details.

Tripp Lite has a policy of continuous improvement. Specifications are subject to change without notice.



1111 W. 35th Street, Chicago, IL 60609 USA
www.tripplite.com/support

Manual del propietario

Accesorios SmartRack™

Modelo: SRCABLELADDER



1 – Introducción	10
1-1 Lista de piezas	10
1-2 Herramientas requeridas	10
2 – Instrucciones de seguridad importantes	10
3 – Instalación	11
3-1 Planificación	11
3-2 Modificación de la escalera (Opcional)	12
3-3 Ensamblado de la escalera	12
3-4 Instalación en pasillo	13
3-5 Instalación en una fila	14
3-6 Conexión a tierra	15
4 – Almacenamiento y servicio	16
5 – Garantía	16
English	1
Français	17



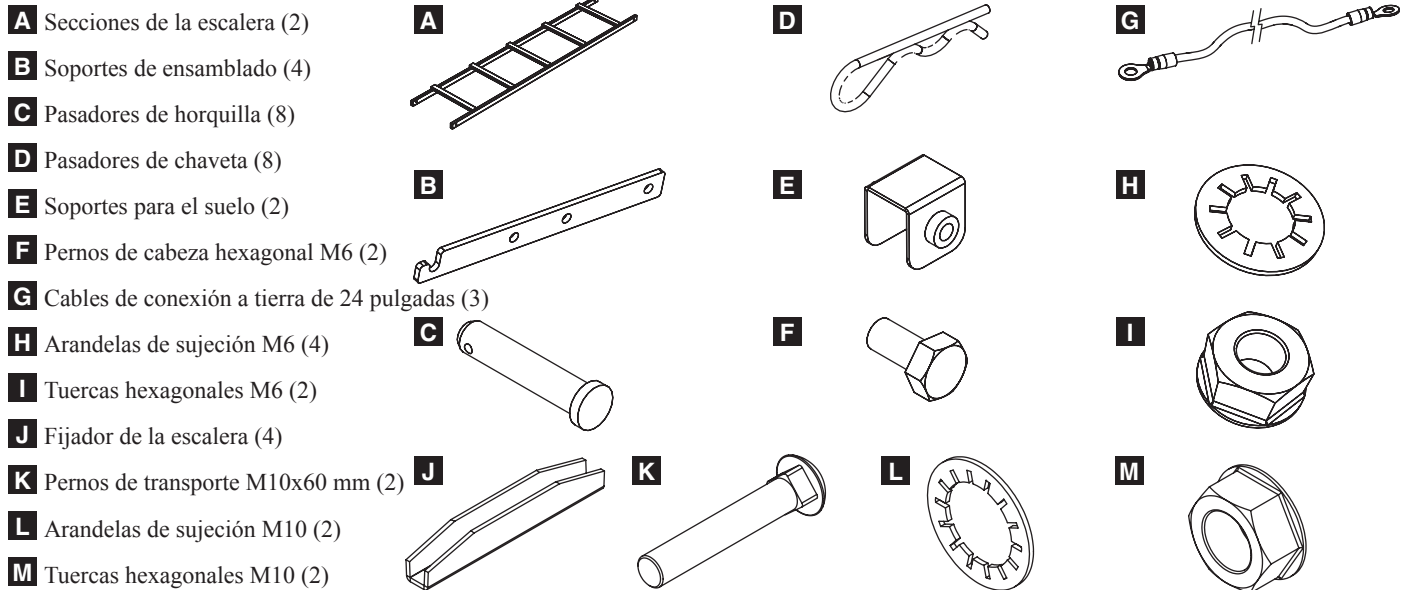
1111 W. 35th Street, Chicago, IL 60609 USA
www.tripplite.com/support

Copyright © 2011 Tripp Lite. Todas las otras marcas registradas son propiedad de sus respectivos dueños.

1 – Introducción

SRCABLELADDER ofrece enrutamiento de cable para montar en el techo para racks SmartRack de Tripp Lite, que permite que los manojos de cables se expandan en pasillos y/o espacios entre racks de la misma fila. *Nota: La instalación estándar de SRCABLELADDER requiere el accesorio SRCABLETRAY de Tripp Lite, que se vende por separado.*

1-1 Lista de piezas



Si le falta alguna pieza, visite www.tripplite.com/support.

1-2 Herramientas requeridas

- Llave de 13 mm o llave en forma de cuña
- Cinta para medir
- Sierra de arco (opcional)
- Taladro con mecha de 3/8 pulgadas (opcional)

2 – Instrucciones de seguridad importantes

GUARDE ESTAS INSTRUCCIONES

Este manual contiene instrucciones y advertencias que deben seguirse durante la instalación y operación del producto descrito en este manual. Lea todas las instrucciones y advertencias antes de la instalación. El incumplimiento invalidará la garantía, pudiendo causar serios daños a la propiedad y/o lesiones personales.

- Instale en un ambiente interior controlado, lejos de la humedad, temperaturas extremas, líquidos y gases inflamables, contaminantes conductores, polvo y luz solar directa.
- Proporcione una conexión a tierra adecuada, según las reglamentaciones de cableado eléctrico aplicables.
- No intente trepar o caminar por ninguna parte de la escalera.
- Cuando utilice herramientas para cortar o taladrar metal, utilice protección para los ojos y siga todas las precauciones de seguridad recomendadas por el fabricante de las herramientas y requeridas por las reglamentaciones de seguridad aplicables.
- Tenga precaución y utilice guantes de seguridad cuando manipule piezas metálicas que se han cortado en longitud. Los bordes afilados pueden provocar lesiones personales y daños en la propiedad.
- No se recomienda usar este equipo en aplicaciones de mantenimiento artificial de la vida, donde se puede esperar razonablemente que su falla cause la falla del equipo de mantenimiento de la vida o que afecte de manera importante su seguridad o eficiencia. No use este equipo en presencia de mezclas anestésicas inflamables con aire, oxígeno u óxido nítrico.

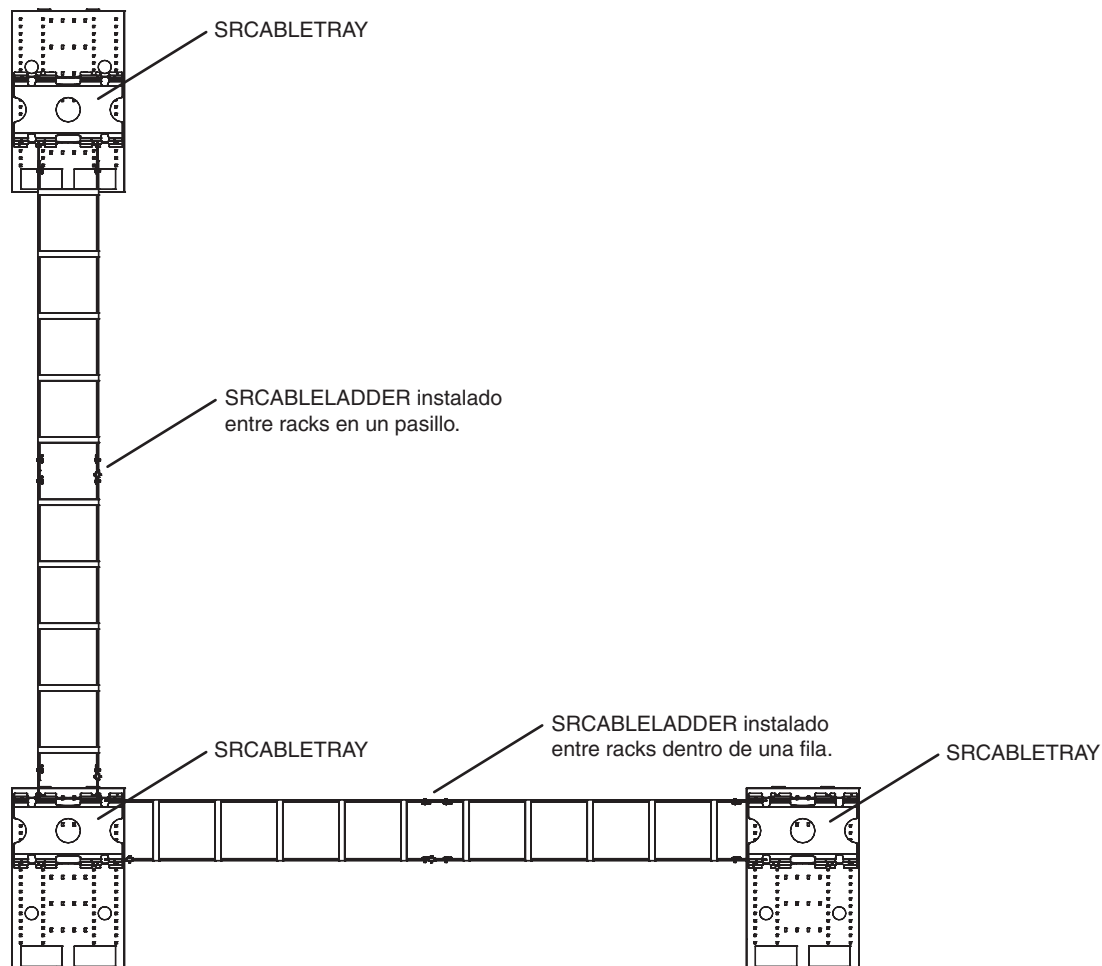
3 – Installation

Nota: Antes de la instalación, debe instalar el accesorio SRCABLETRAY (se vende por separado) en cada rack que se vinculará por medio del accesorio SRCABLELADDER. Para obtener información de pedidos, visite www.tripplite.com.

3-1 Planificación

SRCABLELADDER puede ofrecer enrutamiento de cables de rack a rack en un pasillo o dentro de una sola fila. Puede combinar varios accesorios SRCABLELADDER y SRCABLETRAY para satisfacer las necesidades de enrutamiento de cables de la mayoría de las configuraciones de racks SmartRack, pero se requieren planificación y medición para garantizar un ajuste seguro. Tripp Lite recomienda que lea todo el manual previamente para obtener un claro entendimiento del proceso de instalación y del posicionamiento del accesorio.

Configuración de enrutamiento de cable de ejemplo (Vista superior)



Utilice una cinta para medir para determinar la distancia que ocupará el SRCABLELADDER. (El ensamblado previo de las secciones de la escalera permitirá observar los puntos de unión para lograr una medida más precisa).

La longitud estándar del SRCABLELADDER es de 10 pies. Si existe diferencia entre la longitud estándar y la distancia entre los puntos de unión, el ajuste de la posición de los accesorios SRCABLETRAY permitirá cambiar la distancia entre los puntos de unión. Si es necesario, puede utilizar una sola sección de escalera en lugar de dos, reduciendo así la longitud total de la escalera en aproximadamente 5 pies. Además, los soportes de ensamblado en los extremos de las secciones de la escalera permitirán ajustes menores si los instala sin pasadores, y puede agregar algunas pulgadas a la longitud de la escalera mediante los orificios de pasadores alternativos para ensamblado. Si los ajustes disponibles no acomodan el accesorio SRCABLELADDER, deberá cortar una de las secciones de la escalera. Consulte la **Sección 3-2 Modificación** de la escalera para obtener instrucciones. Si el accesorio SRCABLELADDER encaja sin modificaciones, continúe con la **Sección 3-3 Ensamblado de la escalera**.

3 – Instalación (continuación)

3-2 Modificación de la escalera (Opcional)

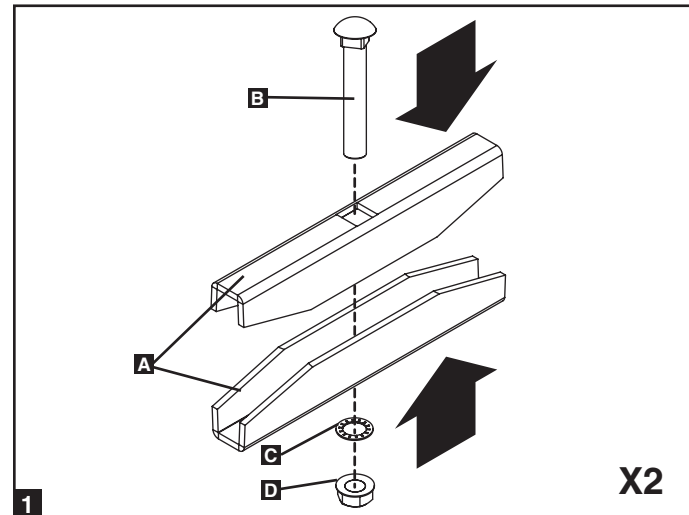
Advertencia: Cuando utilice herramientas para cortar o taladrar metal, utilice protección para los ojos y siga todas las precauciones de seguridad recomendadas por el fabricante de las herramientas y requeridas por las reglamentaciones de seguridad aplicables. Tenga precaución y utilice guantes de seguridad cuando manipule piezas metálicas que se han cortado en longitud. Los bordes afilados pueden provocar lesiones personales y daños en la propiedad.

Nota: No modifique el accesorio SRCABLELADDER a menos que haya seguido las instrucciones de la **Sección 3-1 Planificación** y haya determinado que la modificación es necesaria. Si no se requiere modificación, continúe con la **Sección 3-3 Ensamblado de la escalera**.

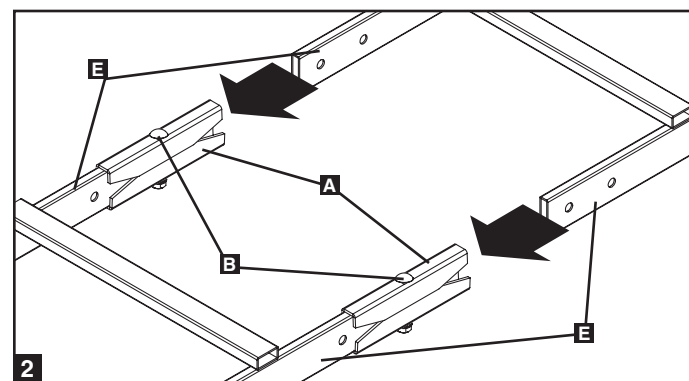
- 1 Mida y marque la sección de la escalera del cable que se cortará.
- 2 Utilice una sierra de arco u otra herramienta para cortar metales para cortar la sección de la escalera. Asegúrese de que el corte sea perpendicular a la longitud de la escalera y utilice una herramienta para cortar metales que no doble o rompa la sección de la escalera.
- 3 (Opcional) Después de cortar, utilice un taladro con una mecha de 3/8 pulgadas para taladrar nuevos orificios de pasadores en el extremo de la sección de la escalera. Compare el extremo modificado de la sección de la escalera con el extremo sin modificar para determinar dónde se deben taladrar los orificios. Asegúrese de que la ubicación del orificio coincida con la planificación y las medidas. Puede omitir este paso, pero si taladra los orificios de los pasadores e instala los pasadores logrará que el accesorio SRCABLELADDER sea más estable.

3-3 Ensamblado de la escalera

- 1 Ensamble los dos fijadores de la escalera **A** con los pernos de transporte **B**, arandelas **C** y tuercas hexagonales **D** como se muestra en el diagrama. Por ahora, ajuste sólo las tuercas lo suficiente como para que los fijadores queden unidos.



- 2 Una las secciones de la escalera **E** insertando cada lado en los fijadores de la escalera **A** hasta que los detengan los pernos **B**. Cuando estén unidas las secciones, puede asegurar el fijador ajustando las tuercas completamente.

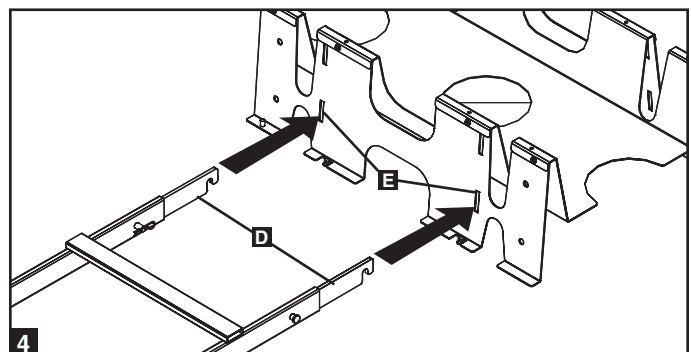
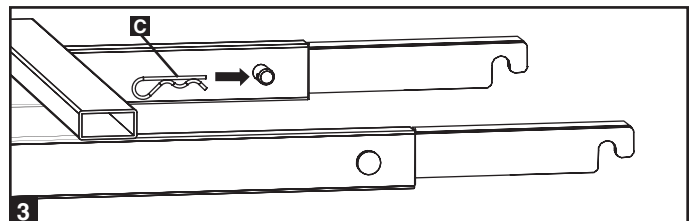
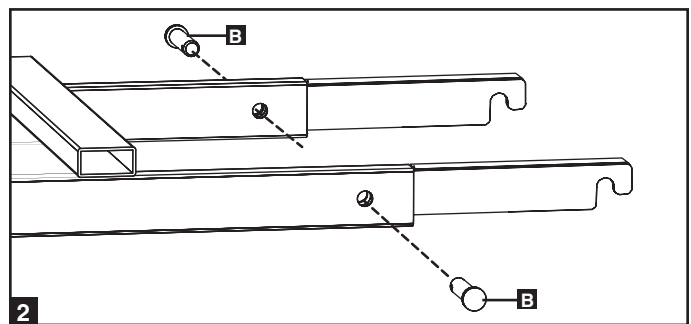
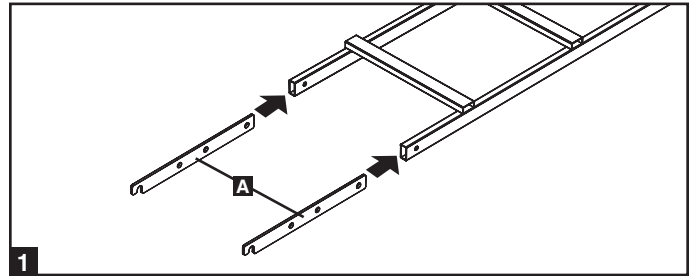


3 – Installation (continuación)

3-4 Instalación en pasillo

Nota: Siga las instrucciones de esta sección sólo si el accesorio SRCABLELADDER se instalará en un pasillo. Si el accesorio SRCABLELADDER se instalará dentro de una fila de racks, siga las instrucciones de la Sección 3-5 Instalación en una fila en su lugar.

- 1** Inserte cuatro soportes de ensamblado **A** en los extremos de la escalera. Los extremos en cuña de los soportes deben quedar hacia afuera. Cuando la escalera esté orientada de forma que los escalones queden por encima de los rieles laterales de la escalera, los extremos en cuña de los soportes deben apuntar hacia abajo, como se muestra en la figura.
- 2** Alinee los orificios del pasador en las secciones de la escalera con los orificios del pasador en los soportes de ensamblado e inserte los pasadores de horquilla **B** en los orificios del pasador (4 en total). Este paso puede omitirse para proporcionar flexibilidad en la instalación, pero si instala los pasadores logrará que el accesorio SRCABLELADDER sea más estable. **Advertencia: Si decide no instalar los pasadores de horquilla, asegúrese de que al menos un 25% de la longitud de cada soporte de ensamblado quede adentro de la escalera.**
- 3** Luego de insertar los pasadores de horquilla, inserte un pasador de chaveta **C** en el orificio del extremo de cada pasador de horquilla. (La sección derecha del pasador de chaveta debe atravesar el orificio).
- 4** Utilizando un asistente, eleve el accesorio SRCABLELADDER (con los escalones hacia arriba) e inserte los extremos en cuña expuestos de los soportes de ensamblado **D** en las ranuras correspondientes **E** de los accesorios SRCABLETRAY instaladas en la parte superior de cada rack. Las cuñas deben encajar en las ranuras en forma segura deslizándose hasta hacer tope con el extremo de la ranura. *Nota: Hay dos niveles de ranuras. Utilice las ranuras que mejor coincidan con la aplicación.*

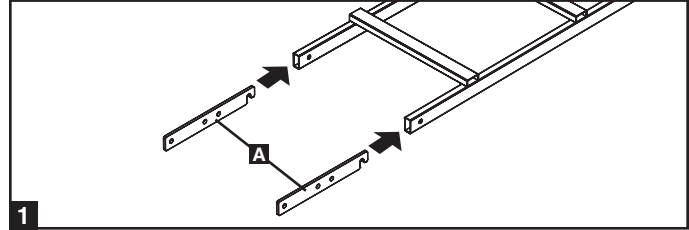


3 – Instalación (continuación)

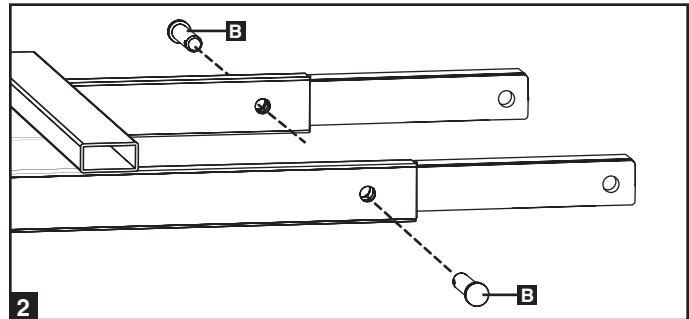
3-5 Instalación en una fila

Nota: Siga las instrucciones de esta sección sólo si el accesorio SRCABLELADDER se instalará entre una fila de racks. Si el accesorio SRCABLELADDER se instalará en un pasillo, siga las instrucciones de la Sección 3-4 Instalación en un pasillo en su lugar.

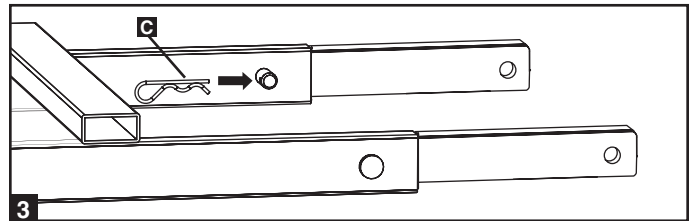
1 Inserte cuatro soportes de ensamblado **A** en los extremos abiertos de la escalera, con el extremo en cuña en primer lugar. Cuando la escalera esté orientada de forma que los escalones queden por encima de los rieles laterales de la escalera, los extremos en cuña de los soportes deben apuntar hacia abajo, como se muestra en la figura.



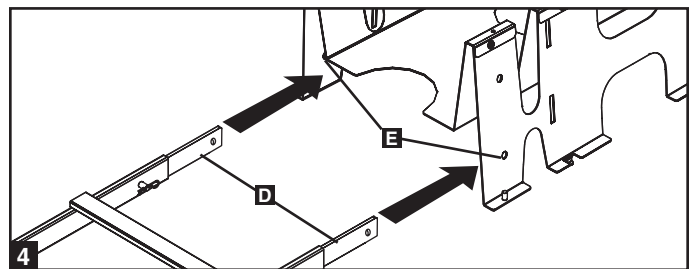
2 Alinee los orificios del pasador en las secciones de la escalera con los orificios del pasador en los soportes de ensamblado e inserte los pasadores de horquilla **B** en los orificios del pasador (4 en total). Este paso puede omitirse para proporcionar flexibilidad en la instalación, pero si instala los pasadores logrará que el accesorio SRCABLELADDER sea más estable. **Advertencia: Si decide no instalar los pasadores de horquilla, asegúrese de que al menos un 25% de la longitud de cada soporte de ensamblado quede adentro de la escalera.**



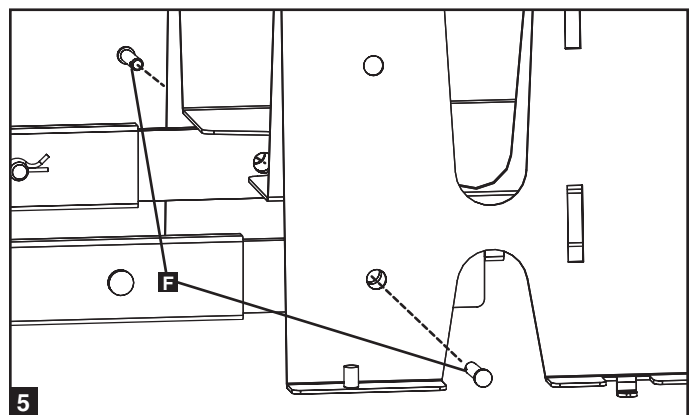
3 Luego de insertar los pasadores de horquilla, inserte un pasador de chaveta **C** en el orificio del extremo de cada pasador de horquilla. (La sección derecha del pasador de chaveta debe atravesar el orificio)



4 Utilizando un asistente, eleve el accesorio SRCABLELADDER (con los escalones hacia arriba) y alinee los orificios de los extremos de los soportes de ensamblado **D** con las ranuras correspondientes **E** de los accesorios SRCABLETRAY instaladas en la parte superior de cada rack. *Nota: Hay dos niveles de orificios. Utilice los orificios que mejor coincidan con la aplicación.*



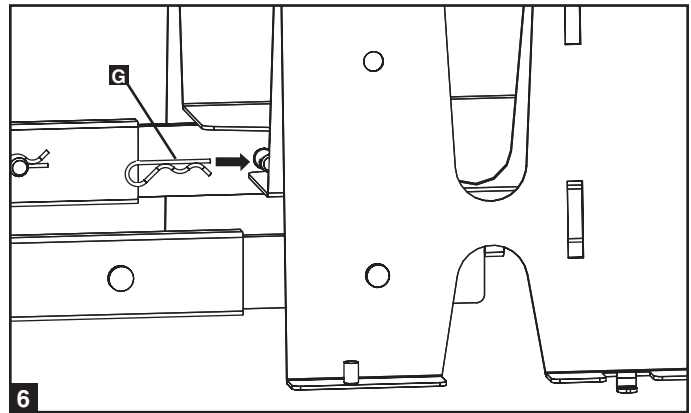
5 Alinee los orificios de los pasadores e inserte los pasadores de horquilla **F** en cada uno de los orificios (4 en total).



3 – Instalación (continuación)

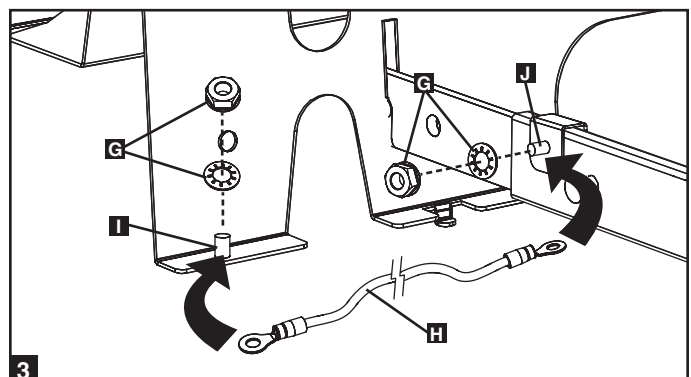
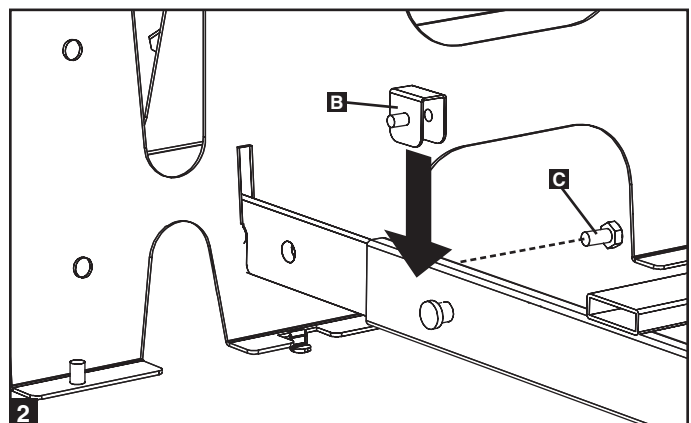
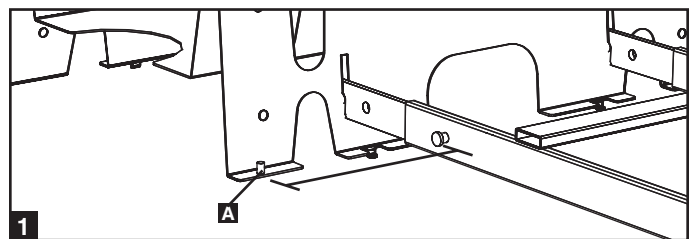
3-5 Instalación en una fila (continuación)

- 6 Luego de insertar los pasadores de horquilla, inserte un pasador de chaveta **G** en el orificio del extremo de cada pasador de horquilla. (La sección derecha del pasador de chaveta debe atravesar el orificio).



3-6 Conexión a tierra

- 1 Después de instalar el accesorio SRCABLELADDER, determine dónde colocar los soportes para el suelo tomando nota de la distancia entre un extremo de la escalera y el puesto de conexión a tierra **A** en la esquina del accesorio SRCABLETRAY más cercano.
- 2 Coloque un soporte para el suelo **B** cerca del extremo de la pata del accesorio SRCABLELADDER y utilice un perno de cabeza hexagonal **C** para asegurarlo.
- 3 Utilice las tuercas hexagonales y arandelas de sujeción **G** incluidas para conectar un extremo del cable de conexión a tierra **H** incluido con el puesto de conexión a tierra **I** en la esquina del accesorio SRCABLETRAY más cercano y conecte el otro extremo al puesto de conexión a tierra **J** del soporte para el suelo unido al accesorio SRCABLELADDER. Repita los pasos 1 al 3 para el otro extremo del accesorio SRCABLELADDER.



4 – Almacenamiento y servicio

Almacenamiento

La unidad debe almacenarse en un entorno seguro y limpio, con una temperatura inferior a 40° C (104° F) y una humedad relativa inferior al 90% (sin condensación). Si es posible, almacénala en su contenedor de envío original.

Servicio

Su producto Tripp Lite está cubierto por la garantía descrita en este manual. Tripp Lite también pone a su disposición una variedad de Garantías extendidas y Programas de servicio técnico en el sitio. Si desea más información sobre el servicio técnico, visite www.tripplite.com/support. Antes de devolver su producto para servicio técnico, siga estos pasos:

1. Revise la instalación y los procedimientos de operación que se encuentran en este manual para asegurarse de que el problema de servicio no se debe a una mala lectura de las instrucciones.
2. Si el problema persiste, no se comunique ni devuelva el producto al mayorista. En cambio, visite www.tripplite.com/support.
3. Si el problema exige servicio técnico, visite www.tripplite.com/support y haga clic en el enlace Devoluciones de productos. Desde aquí puede solicitar un número de Autorización de Material Devuelto (RMA), que se necesita para el servicio técnico. En este sencillo formulario en línea se le solicitarán los números de serie y modelo de la unidad, junto con otra información general del comprador. El número RMA y las instrucciones para el envío se le enviarán por correo electrónico. La presente garantía no cubre ningún daño (directo, indirecto, especial o consecucional) del producto que ocurra durante el envío a Tripp Lite o a un centro de servicio técnico de Tripp Lite autorizado. Los productos enviados a Tripp Lite o a un centro de servicio técnico de Tripp Lite autorizado deben tener prepagos los cargos de transporte. Escriba el número RMA en el exterior del embalaje. Si el producto se encuentra dentro del período de garantía, adjunte una copia de su recibo de venta. Envíe el producto para servicio técnico mediante un transportador asegurado a la dirección que se le proporcionó cuando solicitó el número RMA.

5 – Garantía

Garantía limitada

El vendedor garantiza que este producto no tiene defectos originales de materiales ni de mano de obra por un período de cinco años a partir de la fecha original de compra, si se utiliza de acuerdo con todas las instrucciones correspondientes. En caso de demostrarse dentro de ese período que el producto tiene defectos de materiales o de mano de obra, el vendedor lo reparará o reemplazará a su exclusiva discreción.

ESTA GARANTÍA NO CUBRE EL DESGASTE NORMAL NI LOS DAÑOS CAUSADOS POR ACCIDENTES, MAL USO, ABUSO O NEGLIGENCIA. EL VENDEDOR NO OFRECE NINGUNA GARANTÍA EXPRESA QUE NO SEA LA ESTABLECIDA EXPRESAMENTE EN EL PRESENTE DOCUMENTO. EXCEPTO EN LA MEDIDA EN QUE LO PROHÍBAN LAS LEYES APLICABLES, LA DURACIÓN DE TODAS LAS GARANTÍAS IMPLÍCITAS, INCLUIDAS LAS DE COMERCIALIZACIÓN O APTITUD, SE LIMITA AL PERÍODO DE GARANTÍA ANTES MENCIONADO Y ESTA GARANTÍA EXCLUYE EXPRESAMENTE TODOS LOS DAÑOS INCIDENTALES E INDIRECTOS. (Algunos Estados no permiten las limitaciones a la duración de una garantía implícita y algunos Estados no permiten la exclusión o limitación de los daños incidentales o indirectos, de modo que las limitaciones o exclusiones antes mencionadas pueden no corresponder en su caso. Esta garantía le otorga derechos legales específicos y usted puede tener otros derechos que varían de una jurisdicción a otra).

Tripp Lite; 1111 W. 35th Street; Chicago IL 60609; EE. UU.

ADVERTENCIA: Antes de usar este dispositivo, cada usuario debe ocuparse de determinar si es apto, adecuado o seguro para el uso que pretende darle. Dado que las aplicaciones individuales están sujetas a diversas variaciones, el fabricante no representa ni garantiza la idoneidad o condición de estos dispositivos para cualquier aplicación específica.

Tripp Lite tiene la política de mejora continua. Las especificaciones están sujetas a cambios sin notificación previa.



1111 W. 35th Street, Chicago, IL 60609 USA
www.tripplite.com/support

Manuel de l'utilisateur

Accessoires du SmartRack™

Modèle : SRCABLELADDER



1 – Introduction	18
1-1 Liste des pièces	18
1-2 Outils requis	18
2 – Importantes consignes de sécurité	18
3 – Installation	19
3-1 Planification	19
3-2 Modification de l'échelle (en option)	20
3-3 Assemblage de l'échelle	20
3-4 Installation à travers une allée	21
3-5 Installation dans une rangée	22
3-6 Mise à la terre	23
4 – Entreposage et service	24
5 – Garantie	24
English	1
Español	9



1111 W. 35th Street, Chicago, IL 60609 USA
www.tripplite.com/support

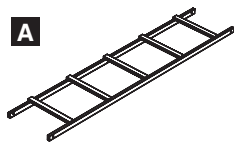
Copyright © 2011 Tripp Lite. Toutes les marques citées sont l'unique propriété de leurs détenteurs respectifs.

1 – Introduction

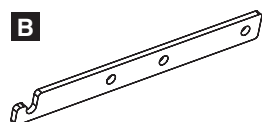
La SRCABLELADDER assure le cheminement du câblage monté sur le toit pour les boîtiers SmartRack de Tripp Lite, ce qui permet aux faisceaux de câblage d'enjamber les allées et/ou les espaces entre les boîtiers d'une même rangée. *Remarque : L'installation standard de la SRCABLELADDER exige l'accessoire SRCABLETRAY, vendu séparément.*

1-1 Liste des pièces

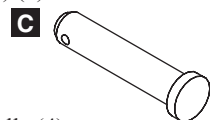
A Sections de l'échelle (2)



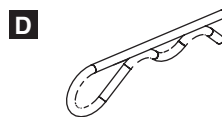
B Supports d'assemblage (4)



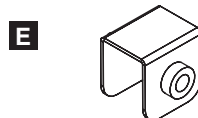
C Axes à épaulement (8)



D Goupilles fendues (8)



E Supports de mise à la terre (2)



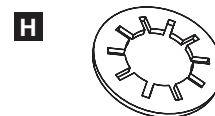
F Boulons à tête hexagonale M6 (2)



G Conducteurs de terre de 60 cm (24 po) (3)



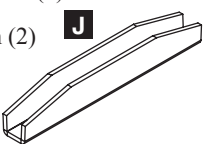
H Rondelles freins M6 (4)



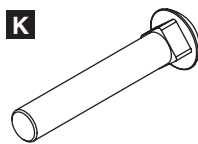
I Écrous hexagonaux M6 (2)



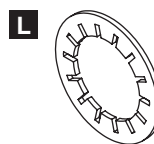
J Manchons de raccordement pour échelle (4)



K Boulons de carrosserie M10 x 60 mm (2)



L Rondelles freins M10 (2)



M Écrous hexagonaux M10 (2)



Si des pièces manquent, visiter le site www.tripplite.com/support.

1-2 Outils requis

- Clé ou clé à molette 13 mm
- Mètre à ruban
- Scie à métaux (en option)
- Perceuse avec une mèche 9,52 mm (3/8 po)(en option)

2 – Importantes consignes de sécurité

CONSERVER CES CONSIGNES

Le présent manuel comprend des consignes et des avertissements importants que vous devez respecter durant l'installation et l'utilisation du produit qui y est décrit. Lire toutes les consignes et tous les avertissements attentivement avant de commencer l'installation. Le non-respect de ces consignes pourrait annuler la garantie et entraîner des dommages matériels et/ou des dommages corporels.

- Installer dans un environnement extérieur contrôlé, loin de l'humidité, des températures extrêmes, des liquides et des gaz inflammables, des contaminants conducteurs, de la poussière et de la lumière directe du soleil.
- Assurer une mise à la terre appropriée conformément à toutes les réglementations en vigueur en matière de câblage électrique.
- Ne pas tenter de monter ou de traverser sur quelque partie de l'échelle que ce soit.
- Lors de l'utilisation d'outils pour couper ou percer du métal, utiliser un dispositif de protection pour les yeux et suivre toutes les autres mesures de sécurité recommandées par le fabricant de l'outil et requises par les réglementations en matière de sécurité en vigueur.
- Faire preuve de prudence et porter des gants de protection au moment de la manipulation de pièces métalliques qui doivent être coupées en longueur. Les arêtes coupantes peuvent provoquer des blessures personnelles ou des dommages matériels.
- L'utilisation du présent appareil dans des applications de maintien des fonctions vitales où la défaillance de cet équipement pourrait raisonnablement causer la défaillance de l'équipement de maintien de la vie ou affecter sa sûreté ou son efficacité n'est pas recommandée. Ne pas utiliser le présent équipement en présence d'un mélange anesthésique inflammable et d'air, d'oxygène ou de protoxyde d'azote.

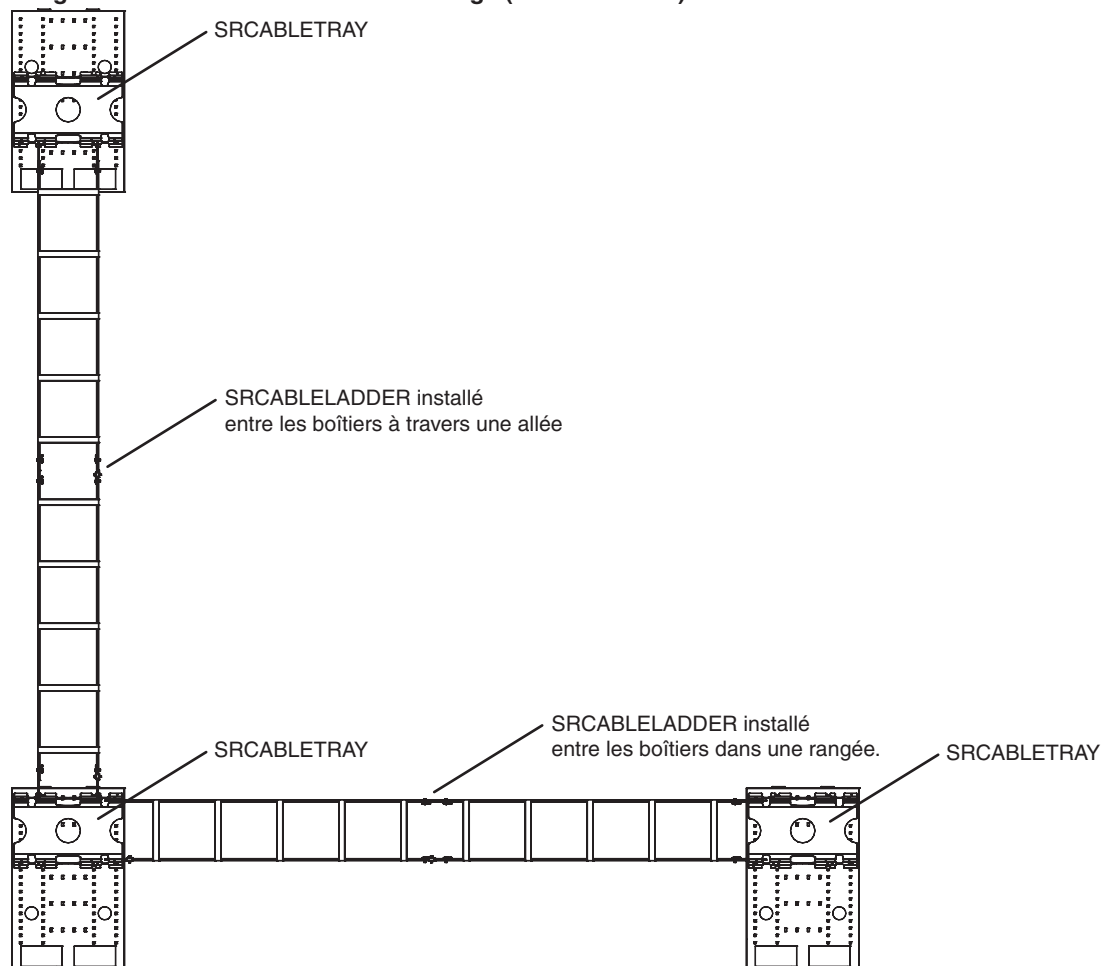
3 – Installation

Remarque : Avant l'installation, vous devez installer l'accessoire SRCABLETRAY (vendu séparément) sur chaque boîtier qui sera relié par un accessoire de la SRCABLELADDER. Pour obtenir des renseignements sur la façon de commander, visitez www.triplite.com.

3-1 Planification

La SRCABLELADDER permet le cheminement du câblage de boîtier à boîtier à travers une allée ou dans une seule rangée. Vous pouvez combiner plusieurs SRCABLELADDER et accessoires SRCABLETRAY pour satisfaire aux exigences en matière de cheminement du câblage de presque toutes les configurations de boîtier SmartRack, mais la planification et le mesurage sont essentiels à une installation solide. Tripp Lite recommande que vous lisiez à l'avance le manuel en entier afin d'avoir une compréhension claire du processus d'installation et du positionnement des accessoires.

Exemple de configuration d'un cheminement de câblage (vue de dessus)



Utiliser un mètre à ruban pour déterminer la distance que la SRCABLELADDER enjambra. (Le pré-assemblage des sections de l'échelle permettra de voir les points de fixation en place pour un mesurage plus précis.)

La longueur standard de la SRCABLELADDER est de 3 m (10 pi). Si la longueur standard et la distance entre les points de fixation divergent, l'ajustement de la position des accessoires SRCABLETRAY permettra de modifier la distance entre les points de fixation. S'il y a lieu, vous pouvez utiliser une seule section de l'échelle plutôt que deux sections, ce qui permet de diminuer la longueur totale de l'échelle à environ 1,5 m (5 pi). De plus, les supports d'assemblage qui sont situés aux extrémités des sections de l'échelle permettront des ajustements mineurs si vous les installez sans les goupilles. Vous pouvez ajouter quelques centimètres (pouces) à la longueur de l'échelle en utilisant les trous de goupille secondaires pour l'assemblage. Si les ajustements disponibles ne peuvent pas loger l'accessoire de la SRCABLELADDER, vous devez couper l'une des sections de l'échelle. Voir la **section 3-2 Modification de l'échelle** pour les consignes. Si l'accessoire de la SRCABLELADDER peut être installé sans modification, passer à la **section 3-3 Assemblage de l'échelle**.

3 – Installation (suite)

3-2 Modification de l'échelle (en option)

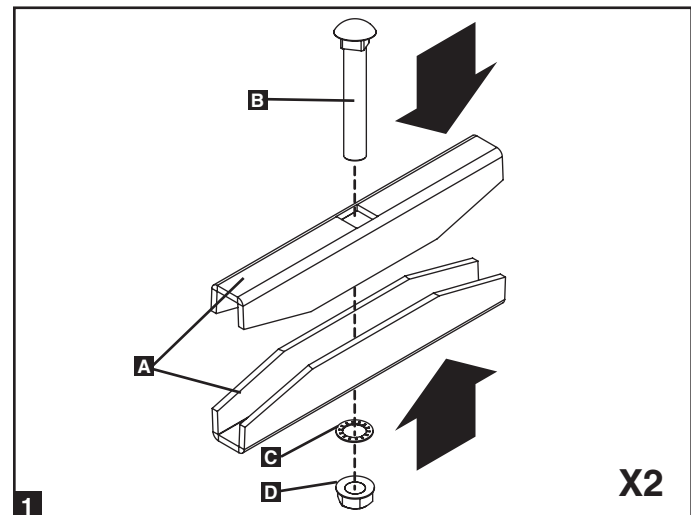
Avertissement : Lors de l'utilisation d'outils pour couper ou percer du métal, utiliser un dispositif de protection pour les yeux et suivre toutes les autres mesures de sécurité recommandées par le fabricant du produit et requises par les réglementations en matière de sécurité en vigueur. Faire preuve de prudence et porter des gants de protection au moment de la manipulation de pièces métalliques qui doivent être coupées en longueur. Les arêtes coupantes peuvent provoquer des blessures personnelles ou des dommages matériels.

Remarque : Ne pas modifier l'accessoire de la SRCABLELADDER à moins d'avoir suivi les consignes de la section 3-1 Planification et déterminé que la modification est requise. Si aucune modification n'est requise, passer à la section 3-3 Assemblage de l'échelle.

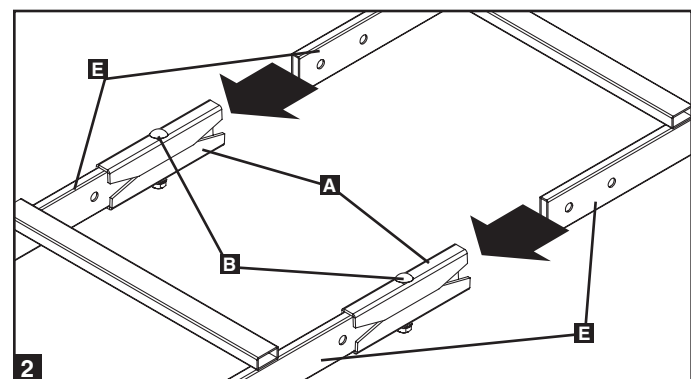
- 1 Mesurer et marquer la section de l'échelle à câbles qui sera coupée.
- 2 Utiliser une scie à métaux ou autre outil à couper le métal pour couper à travers la section de l'échelle. S'assurer que la coupe est perpendiculaire à la longueur de l'échelle et utiliser un outil à couper le métal qui ne pliera pas ou qui n'écrasera pas la section de l'échelle.
- 3 (En option) Après la coupe, utiliser une perceuse avec une mèche de 9,52 mm (3/8 po) pour percer de nouveaux trous de goupille à l'extrémité de la section de l'échelle. Comparer l'extrémité modifiée de la section de l'échelle avec l'extrémité non modifiée pour déterminer l'emplacement des trous à percer. S'assurer que l'emplacement des trous correspond à la planification et aux mesures. Vous pouvez omettre cette étape, mais le perçage des trous de goupille et l'installation des goupilles rendront l'accessoire de la SRCABLELADDER plus stable.

3-3 Assemblage de l'échelle

- 1 Assembler les deux manchons de raccordement **A** avec les boulons de carrosserie M10 **B**, les rondelles **C** et les écrous hexagonaux **D** tel qu'indiqué sur le schéma. Pour le moment, serrer uniquement les écrous suffisamment pour tenir les manchons de raccordement ensemble.



- 2 Joindre les sections de l'échelle **E** en insérant chaque côté dans les manchons de raccordement de l'échelle **A** jusqu'à ce qu'ils soient bloqués par les boulons **B**. Lorsque les sections seront assemblées, vous pouvez fixer solidement le manchon en serrant les écrous au maximum.

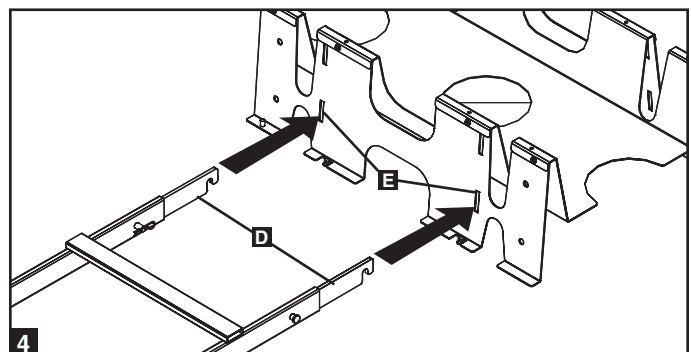
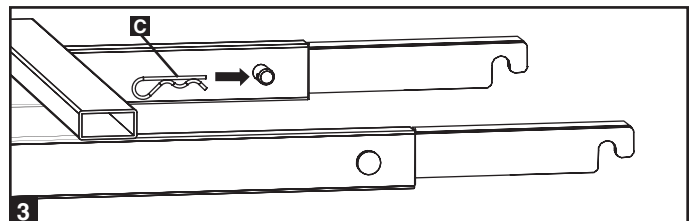
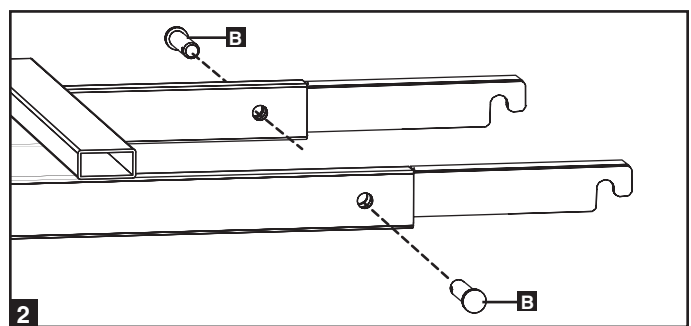
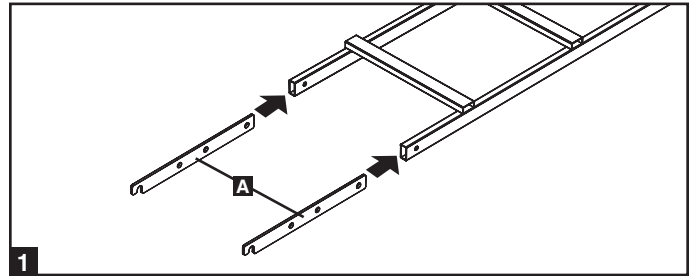


3 – Installation (suite)

3-4 Installation à travers une allée

Remarque : Suivre les consignes décrites dans la présente section uniquement si l'accessoire de la SRCABLELADDER est installé à travers une allée. Si l'accessoire de la SRCABLELADDER est installé dans une rangée de boîtiers, suivre plutôt les consignes décrites dans la section 3-5 Installation dans une rangée.

- 1** Insérer quatre supports d'assemblage **A** dans les extrémités de l'échelle. Les extrémités à crochet des supports devraient être exposées. Lorsque l'échelle est orientée de manière à ce que les échelons soient au-dessus des rails latéraux de l'échelle, les extrémités à crochet des supports devraient être orientées vers le bas, tel qu'indiqué sur le schéma.
- 2** Aligner les trous de goupille des sections de l'échelle avec les trous de goupille des supports d'assemblage, puis insérer les axes à épaulement **B** dans les trous de goupille (4 au total). Cette étape peut être omise afin d'avoir une plus grande flexibilité d'installation, mais l'installation des goupilles rendra l'accessoire de la SRCABLELADDER plus stable. **Avertissement : Si vous choisissez de ne pas installer les axes à épaulement, assurez-vous qu'au moins 25 % de la longueur de chaque support d'assemblage se trouve à l'intérieur de l'échelle.**
- 3** Après l'insertion des axes à épaulement, insérer une goupille fendue **C** dans le trou à l'extrémité de chaque axe à épaulement. (La section droite de la goupille fendue passe dans le trou.)
- 4** Avec l'aide de quelqu'un, soulever l'accessoire de la SRCABLELADDER (échelons vers le haut) et insérer les extrémités à crochet exposées des supports d'assemblage **D** dans les fentes correspondantes **E** des accessoires de la SRCABLELADDER installés au-dessus de chaque boîtier. Les crochets devraient s'installer solidement dans les fentes en les faisant glisser jusqu'à ce qu'ils enclenchent le bord de la fente. *Remarque : Il y a deux niveaux de fente. Utiliser les fentes qui correspondent le mieux à l'application.*

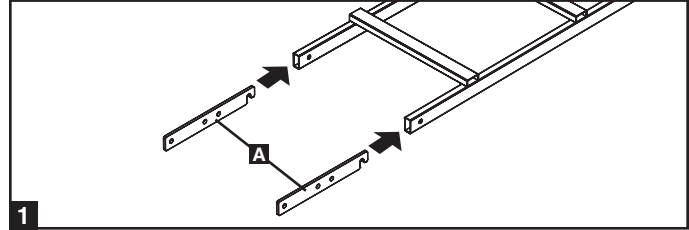


3 – Installation (suite)

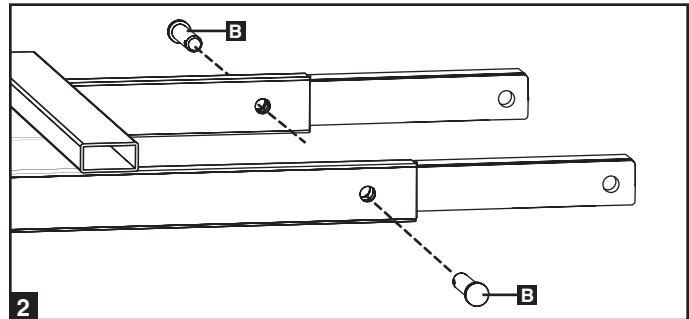
3-5 Installation dans une rangée

Remarque : Suivre les consignes de la présente section uniquement si l'accessoire de la SRCABLELADDER est installé dans une rangée de boîtiers. Si l'accessoire de la SRCABLELADDER est installé à travers une allée, suivre plutôt les consignes décrites dans la section 3-4 Installation à travers une allée.

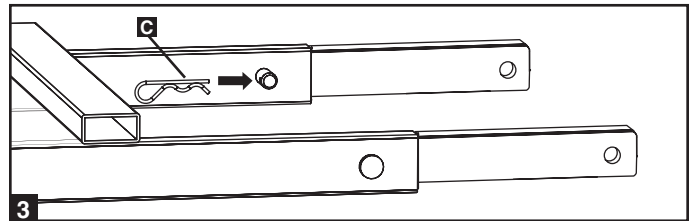
1 Insérer quatre supports d'assemblage **A** dans les extrémités ouvertes de l'échelle, l'extrémité à crochet en premier. Lorsque l'échelle est orientée de manière à ce que les échelons de l'échelle soient au-dessus des rails latéraux de l'échelle, les extrémités à crochet des supports devraient être orientées vers le bas, tel qu'indiqué sur le schéma.



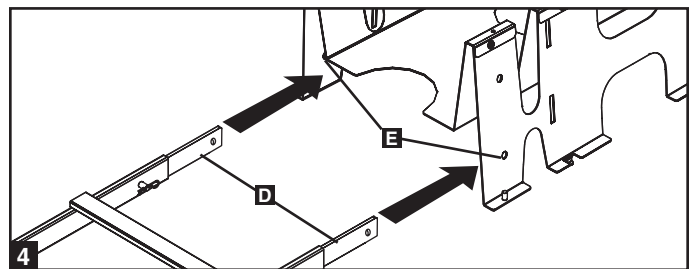
2 Aligner les trous de goupille des sections de l'échelle avec les trous de goupille des supports d'assemblage, puis insérer les axes à épaulement **B** dans les trous de goupille (4 au total). Cette étape peut être omise afin d'avoir une plus grande flexibilité d'installation, mais l'installation des goupilles rendra l'accessoire de la SRCABLELADDER plus stable. **Avertissement : Si vous choisissez de ne pas installer les axes à épaulement, assurez-vous qu'au moins 25 % de la longueur de chaque support d'assemblage se trouve à l'intérieur de l'échelle.**



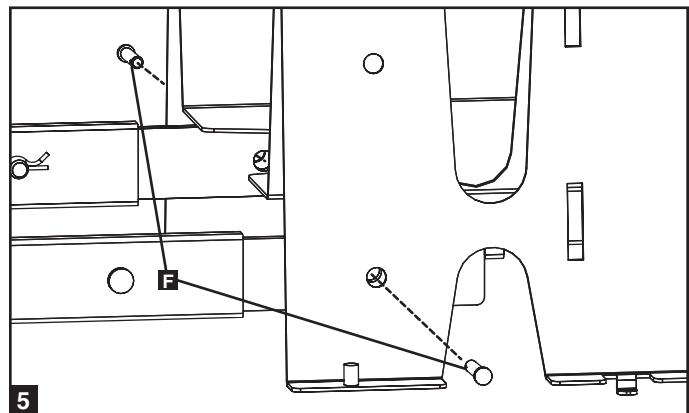
3 Après l'insertion des axes à épaulement, insérer une goupille fendue **C** dans le trou à l'extrémité de chaque axe à épaulement. (La section droite de la goupille fendue passe dans le trou.)



4 Avec l'aide de quelqu'un, soulever l'accessoire de la SRCABLELADDER (échelons vers le haut) et aligner les trous aux extrémités des supports d'assemblage **D** avec les fentes correspondantes **E** des accessoires de la SRCABLELADDER installés au-dessus de chaque boîtier. *Remarque : Il y a deux niveaux de trou. Utiliser les trous qui correspondent le mieux à l'application.*



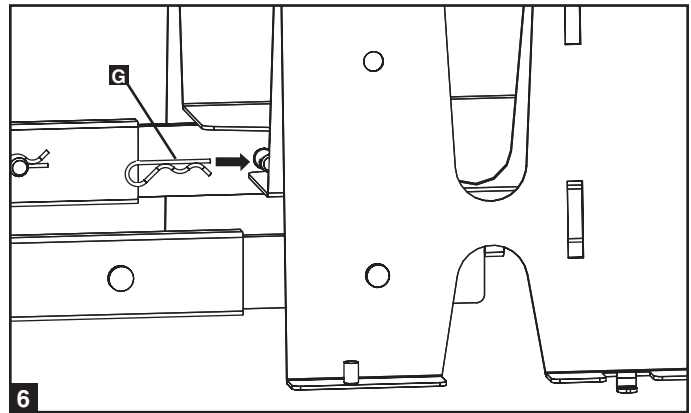
5 Aligner les trous de goupille et insérer les axes à épaulement **F** dans chacun des trous de goupille (4 au total).



3 – Installation (suite)

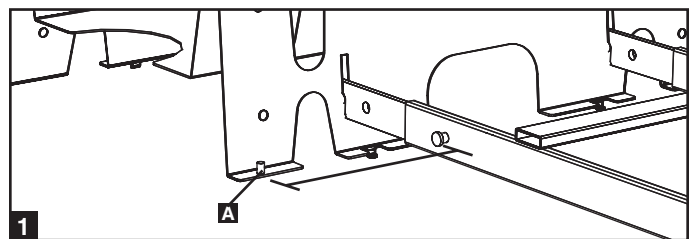
3-5 Installation dans une rangée (suite)

- 6** Après l'insertion des axes à épaulement, insérer une goupille fendue **G** dans le trou à l'extrémité de chaque axe à épaulement. (La section droite de la goupille fendue passe dans le trou.)

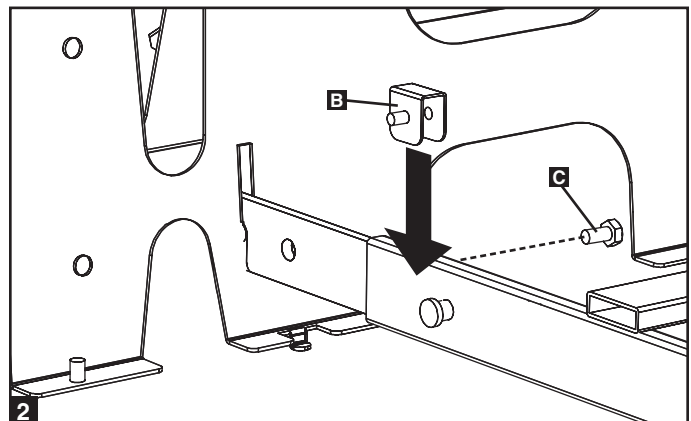


3-6 Mise à la terre

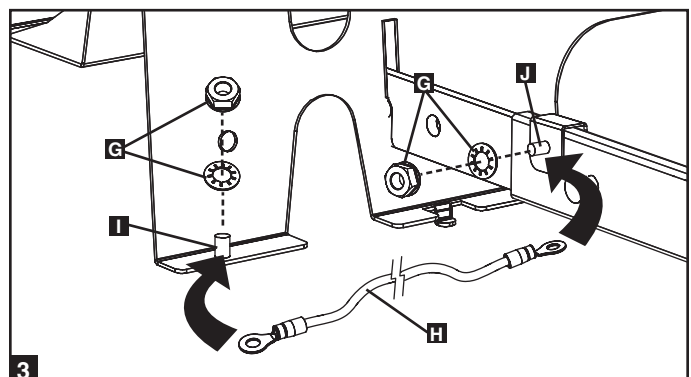
- 1** Après l'installation de l'accessoire de la SRCABLELADDER, déterminer l'emplacement des supports de mise à la terre en notant la distance entre l'une des extrémités de l'échelle et la borne de mise à la terre **A** au coin le plus rapproché de l'accessoire SRCABLETRAY.



- 2** Placer un support de mise à la terre **B** près de l'extrémité de la patte de l'accessoire de la SRCABLELADDER et utiliser un boulon à tête hexagonale **C** pour le fixer solidement.



- 3** Utiliser les écrous hexagonaux et les rondelles freins **G** inclus pour connecter l'une des extrémités du câble de mise à la terre **H** inclus à la borne de mise à la terre **I** au coin le plus rapproché de l'accessoire SRCABLETRAY et connecter l'autre extrémité à la borne de mise à la terre **J** du support de mise à la terre fixé à l'accessoire de la SRCABLELADDER. Répéter les étapes 1 à 3 pour l'autre extrémité de l'accessoire de la SRCABLELADDER.



4 – Entreposage et service

Entreposage

L'appareil doit être entreposé dans un environnement propre et sûr dont la température est inférieure à 40 °C (104 °F) et dont l'humidité relative est inférieure à 90 % (sans aucune condensation). Entreposer l'appareil dans son emballage d'expédition original si possible.

Service

Votre produit Tripp Lite est couvert par la garantie décrite dans ce manuel. Une variété de garantie prolongées et de programmes de service sur place sont également disponibles chez Tripp Lite. Pour plus de renseignements sur le service, visitez www.tripplite.com/support. Avant de retourner votre produit pour entretien ou réparation, suivez les étapes suivantes :

1. Relisez les directives d'installation et de fonctionnement de ce manuel afin de vous assurer que le problème n'a pas pour origine une mauvaise lecture des directives.
2. Si le problème persiste, ne pas communiquer ou renvoyer le produit au vendeur. À la place, visitez www.tripplite.com/support.
3. Si le problème nécessite une réparation, visitez www.tripplite.com/support et cliquez sur le lien Product Returns (retour du produit). De cet endroit, vous pouvez demander un numéro d'autorisation de retour de matériel (RMA) qui est exigé pour une réparation. Ce formulaire en ligne simple vous demandera le numéro de modèle et le numéro de série de votre unité ainsi que d'autres renseignements généraux concernant l'acheteur. Le numéro RMA, ainsi que les instructions concernant le transport vous seront acheminées par courriel. Tout dommage (direct, indirect, spécial ou fortuit) survenu au produit pendant le transport à Tripp Lite ou à un centre de service autorisé Tripp Lite est exclu de la garanti. Les produits expédiés à Tripp Lite ou à un centre de service autorisé doivent être prépayés. Inscrire le numéro RMA sur le paquet. Si le produit est encore couvert par la garantie de deux ans, joindre une copie de votre facture d'achat. Retourner le produit pour réparation par un transporteur assuré à l'adresse qui vous a été donnée lorsque vous avez demandé le RMA.

5 – Garantie

Garantie limitée

Le vendeur garantit que le présent produit, s'il est utilisé en conformité avec toutes les consignes applicables, est exempt de tout défaut de matière et de main-d'œuvre pour une période de 5 ans à partir de la date d'achat initiale. Si le produit présente un défaut de matière ou de main-d'œuvre à l'intérieur de cette période, le vendeur s'engage à le réparer ou à le remplacer, à sa seule discrétion.

LA PRÉSENTE GARANTIE NE S'APPLIQUE PAS À L'USURE NORMALE OU AUX DOMMAGES DÉCOULANT D'UN ACCIDENT, D'UN MAUVAIS USAGE, D'UN ABUS OU D'UNE NÉGLIGENCE. LE VENDEUR N'ACCORDE AUCUNE AUTRE GARANTIE EXPRESSE QUE CELLE MENTIONNÉE EXPRESSÉMENT DANS LA PRÉSENTE. SAUF SI LA LOI EN VIGUEUR L'INTERDIT, TOUTES LES GARANTIES IMPLICITES, Y COMPRIS TOUTES LES GARANTIES DE QUALITÉ MARCHANDE OU D'ADÉQUATION, SONT LIMITÉES À LA DURÉE DE LA PÉRIODE DE GARANTIE SUSMENTIONNÉE. LA PRÉSENTE GARANTIE EXCLUT EXPRESSÉMENT TOUS LES DOMMAGES FORTUITS ET INDIRECTS. (Certaines juridictions n'autorisent pas de limitation de la durée de la garantie et d'autres l'exclusion ou la limitation des dommages fortuits ou indirects; les limitations et les exclusions susmentionnées peuvent ne pas s'appliquer à vous. La présente garantie vous confère des droits juridiques spécifiques et vous pouvez jouir d'autres droits qui varient d'une juridiction à une autre).

Tripp Lite; 1111 W. 35th Street; Chicago IL 60609; USA

AVERTISSEMENT : L'utilisateur individuel doit déterminer si le dispositif est adapté, adéquat ou sûr pour l'usage prévu. Étant donné que les applications individuelles peuvent différer considérablement les unes des autres, le fabricant ne fait aucune déclaration ni n'accorde aucune garantie quant à l'adéquation de ces appareils à une application donnée.

Tripp Lite a une politique d'amélioration continue. La fiche technique est susceptible d'être modifiée sans préavis.



1111 W. 35th Street, Chicago, IL 60609 USA
www.tripplite.com/support