

Owner's Manual

SmartRack[®] Rack Enclosure with IP54 (NEMA 12) Rating

Model: SR42UBEIS

Important Safety Instructions	2
Overview	2
Feature Identification	3
Enclosure Installation	4
Preparation	4
Unpacking	4
Placement	5
Leveling	6
Ground Connection	6
AC Power Connection	6
Enclosure Configuration	7
Adding or Removing Front and Rear Doors	7
Adding or Removing Roof Panel	7
Adding or Removing Side Panels	8
Adjusting Mounting Rails and Cable Management Rails	8
Combining (Baying) Enclosures	9
Cleaning/Replacing Filters	10
Installing the Cable Access Housing (Optional)	10
Equipment Installation	11
Installing or Removing Cage Nuts	11
Specifications	12
Storage and Service	12
Warranty and Product Registration	12
Español	13
Français	25

PROTECT YOUR INVESTMENT!

Register your product for quicker service and ultimate peace of mind.

You could also win an ISOBAR6ULTRA surge protector—a \$100 value!

www.tripplite.com/warranty



1111 W. 35th Street, Chicago, IL 60609 USA • www.tripplite.com/support

Copyright © 2017 Tripp Lite. All trademarks are the sole property of their respective owners.

Important Safety Instructions



SAVE THESE INSTRUCTIONS

All sections of this manual contain instructions and warnings that should be followed during the installation and use of the SmartRack Enclosures described in this manual. Read all instructions and warnings thoroughly before attempting to move, install or use the SmartRack Enclosures described in this manual. Failure to comply will create a risk of personal injury and property damage and may affect the warranty.

- Keep the enclosure in a controlled indoor environment, away from temperature extremes, flammable liquids and gasses, conductive contaminants and direct sunlight.
- Leave adequate space at the front and rear of the enclosure for proper ventilation. Do not block, cover or insert objects into the external ventilation openings of the enclosure.
- The enclosure is extremely heavy. Use caution when handling the enclosure. Do not attempt to unpack, move or install it unassisted. Use a mechanical device such as a forklift or pallet jack to move the enclosure in the shipping container.
- Do not place any object on the enclosure, especially containers of liquid, and do not attempt to stack the enclosures.
- Inspect the shipping container and the enclosure for shipping damage. Do not use the enclosure if it is damaged.
- Leave the enclosure in the shipping container until it has been moved as close to the final installation location as possible. The casters are designed for minor position adjustments within the final installation area only. The casters are not designed for moving the enclosure over longer distances.
- Install the enclosure in a structurally sound area with a level floor that is able to bear the weight of the enclosure, all equipment that will be installed in the enclosure and any other enclosures and/or equipment that will be installed nearby.
- Do not push the enclosure from the side panels to move it. Pushing from the side panels will cause a tipping hazard.
- When rolling the enclosure on its casters, always push it from behind, never pull it toward you.
- A rolling enclosure can cause personal injury and property damage if not properly supervised. If rolling the enclosure down a ramp is required, use extreme caution. Do not attempt to use ramps that have a slope steeper than 1:12.
- Use caution when cutting packing materials. The enclosure could be scratched, causing damage not covered by the warranty.
- Save all packing materials for later use. Repacking and shipping the enclosure without the original packing materials may cause product damage that will void the warranty.
- Do not re-ship the enclosure with additional equipment unless the enclosure was shipped with a special shock pallet ("SP1" and "SP2" models only). The combined weight of the enclosure and installed equipment must not exceed the load capacity of the pallet. Tripp Lite is not responsible for any damage that occurs during re-shipment.
- Use of this equipment in life support applications where failure of this equipment can reasonably be expected to cause the failure of the life support equipment or to significantly affect its safety or effectiveness is not recommended.

Overview

SmartRack Enclosures accommodate all standard 19-inch rackmount equipment, regardless of vendor, and ship fully assembled for quick and easy deployment. They feature adaptable heavy duty cabinets with variable mounting depths, making them ideal for servers. Integrated baying hardware enables cost-effective, orderly and efficient expansion. The cabinets include quick release doors and side panels for convenient maintenance. Front and rear doors and side panels are lockable.

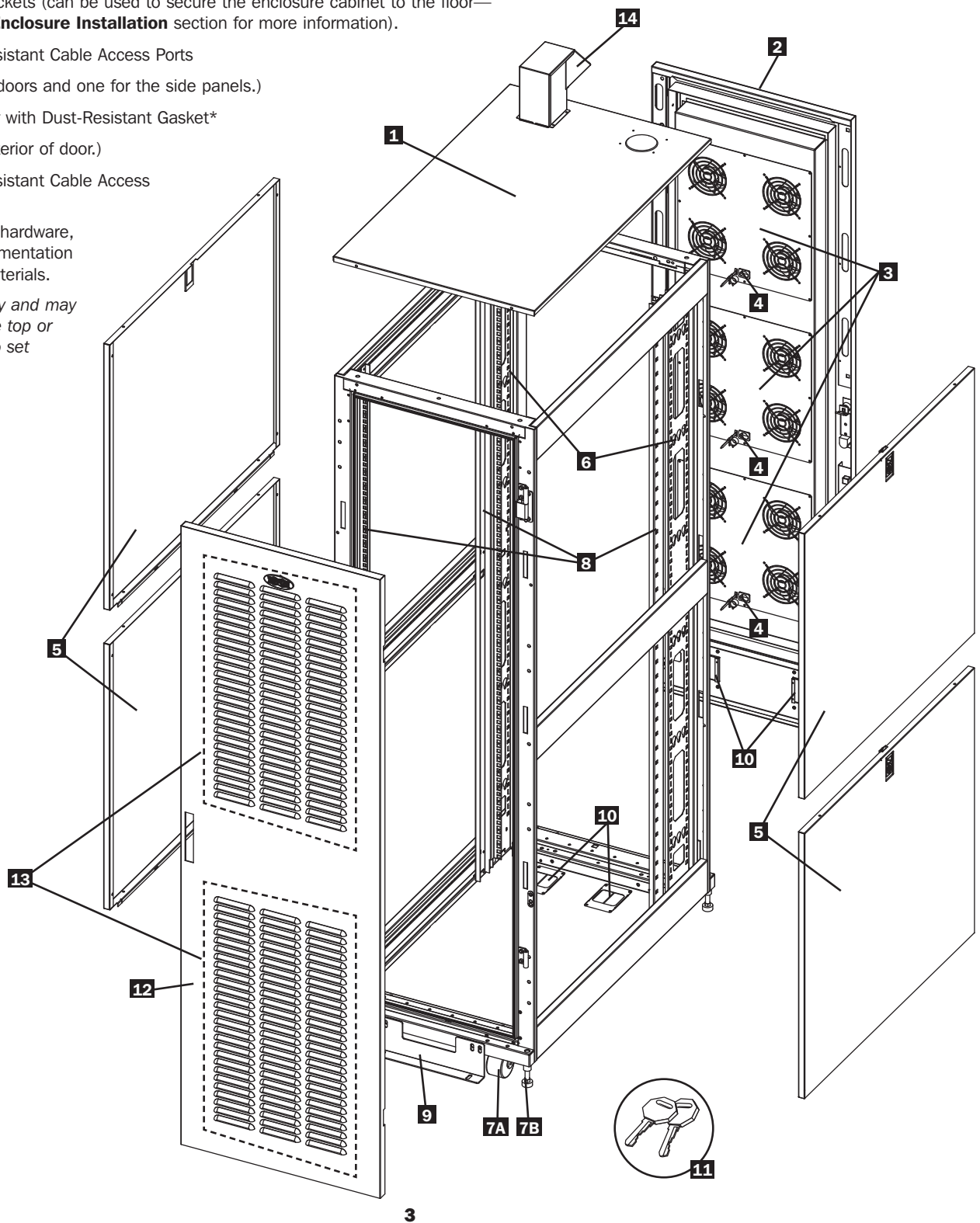
The SR42UBEIS has a IP54 (NEMA 12) rating, and is designed to be dust-protected and drip and splash resistant. It features louvered front and rear doors with sealing gaskets and dust filters. The doors seal tightly and may require pushing on the top or bottom of the doors to set them properly. The rear door is equipped with 12 ventilation fans in 3 individually powered fan panels, ensuring constant airflow. An optional dust- and drip-resistant cable access housing can be mounted on the top of the enclosure for protected rooftop cable access. The enclosure also features 4 dust- and drip-resistant access ports located on the floor and rear door of the enclosure. Heavy-duty industrial casters allow long-term support and a 3000 lb. stationary/rolling load rating.

Feature Identification

- 1** Roof Panel with Drip-Resistant Cap
- 2** Locking Rear Door with Dust-Resistant Gasket*
- 3** Ventilation Fan Panels
- 4** AC Inputs
- 5** Locking Side Panels
- 6** Cable Management Rails
- 7** Heavy-Duty Industrial Casters **A** and Levelers **B**.
- 8** Mounting Rails (Provide horizontal and vertical mounting points for equipment.)
- 9** Shipping/Floor Brackets (can be used to secure the enclosure cabinet to the floor— see “Leveling” in **Enclosure Installation** section for more information).
- 10** Dust- and Drip-Resistant Cable Access Ports
- 11** Keys (One for the doors and one for the side panels.)
- 12** Locking Front Door with Dust-Resistant Gasket*
- 13** Dust Filters (On interior of door.)
- 14** Dust- and Drip-Resistant Cable Access Housing (Optional)

Not Shown: Mounting hardware, power cords (3), documentation and other shipping materials.

* The doors seal tightly and may require pushing on the top or bottom of the doors to set them properly.



Enclosure Installation



Caution! Read All Instructions and Warnings Before Installation!



WARNING: The rack enclosure is extremely heavy. Do not attempt to unpack, move or install the enclosure without assistance. Until it has been properly installed and stabilized, the enclosure is prone to tipping and could cause property damage and/or personal injury. Use extreme caution when handling the enclosure and be sure to follow all handling and installation instructions. Do not attempt to install equipment without first stabilizing the enclosure.

Preparation

The enclosure must be installed in a structurally sound area with a level floor that is able to bear the weight of the enclosure, all the equipment that will be installed in the enclosure and any other enclosures and/or equipment that will be installed nearby. Before unpacking the enclosure, you should transport the shipping container closer to the final installation location to minimize the distance you will need to move the unit after the protective packaging has been removed. If you plan to store the enclosure for an extended period before installation, follow the instructions in the **Storage and Service** section.

You need several tools (user-supplied):

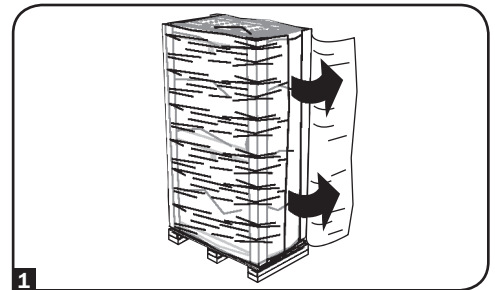
- 13 mm Open-end Wrench
- 14 mm Open-end Wrench
- Utility Blade
- Carpenter's Level
- Phillips-head Screwdriver

You also need the following hardware (included):

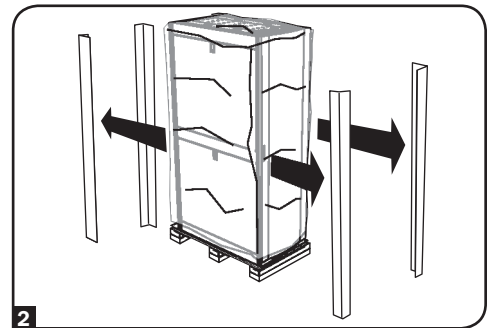
- (50) Phillips-head Mounting Screws (M6 x 5/8")
- (50) Cage Nuts (M6)
- (50) Nylon Cup Washers

Unpacking

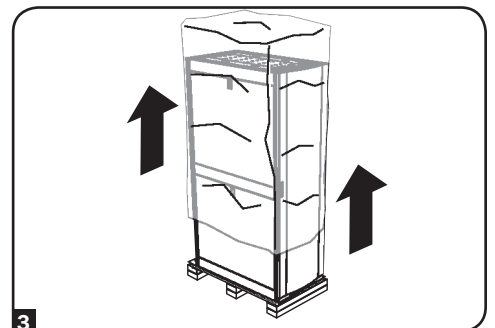
- 1** Confirm that the shipping container is upright and stable, then use a utility blade to cut the shrink-wrap securing the corner protectors. Apply the utility blade directly over the corner protectors to prevent the utility blade from scratching the enclosure or cutting the heavy protective plastic bag beneath the shrink-wrap. **WARNING: Do not scratch the enclosure or cut the heavy plastic bag beneath the shrink-wrap. Do not push or pull the enclosure while unpacking.**



- 2** Remove the corner protectors. Save all packing materials (including the pallet) for later use unless you are certain they will not be required. The packing materials are recyclable.

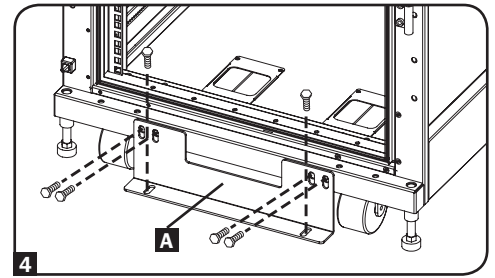


- 3** Remove the heavy plastic bag surrounding the enclosure. Examine the enclosure for any damage or loose parts. Confirm that all parts are present. If anything is missing or damaged, contact Tripp Lite for assistance. Do not attempt to use the enclosure if it has been damaged.

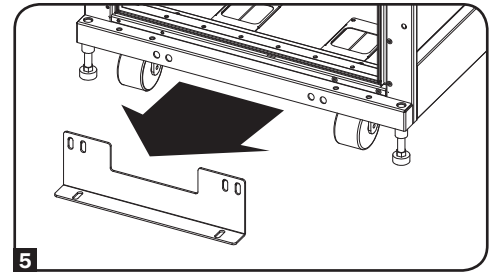


Enclosure Installation

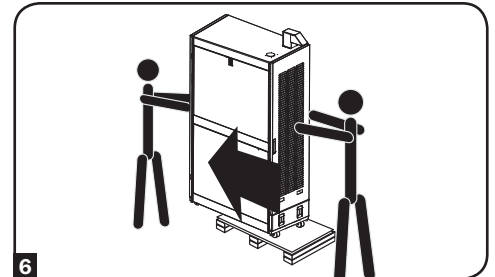
4 Locate the 2 shipping brackets **A** that attach the enclosure to the shipping pallet.



5 Use a 13 mm open-end wrench to remove the shipping brackets. Be extremely careful, as the enclosure could shift unexpectedly after bracket removal. Save the brackets and bracket hardware for later use.

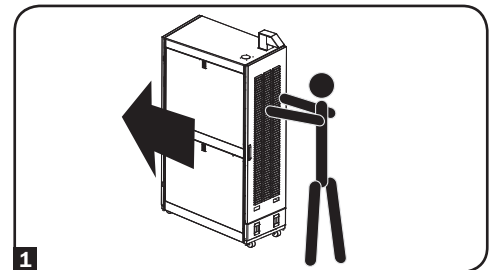


6 Position at least one person at the front of the enclosure and one person at the rear of the enclosure. Slowly push the enclosure toward the back of the shipping pallet until all four casters go over the edge of the pallet and touch the floor. **WARNING: Use at least one assistant when removing the enclosure from the pallet. Be extremely careful when moving the enclosure.**



Placement

1 Use the casters to move the enclosure for a short distance over a level, smooth, stable surface by pushing it from the front or rear (not the side panels). Do not attempt to roll the enclosure over long distances. The enclosure should be moved close to its installation location inside its shipping container before it is unpacked. (Use a forklift or pallet jack to move the shipping container.) **WARNING: Do not push or pull the enclosure at the side panels or pull the enclosure toward you.**

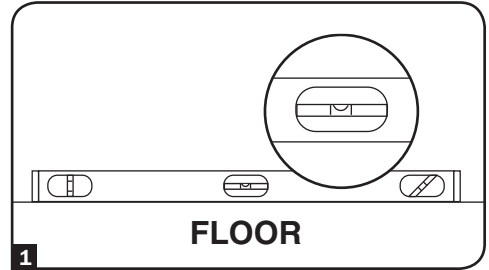


Enclosure Installation

Leveling

WARNING: Level the enclosure before attempting to install equipment. Use the levelers to provide long-term support. Install the enclosure in a structurally sound area with a level floor that is able to bear the weight of the enclosure, all equipment that will be installed in the enclosure and any other enclosures and/or equipment that will be installed nearby.

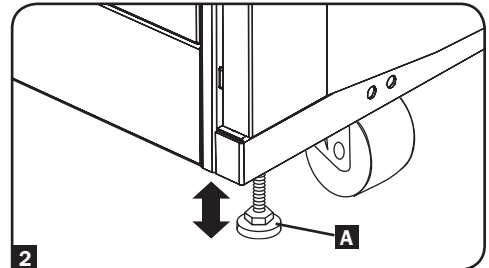
- 1 After the enclosure has been moved to the installation location, use a carpenter's level to check the slope of the floor. If the floor slopes more than 1%, choose an alternate installation site.



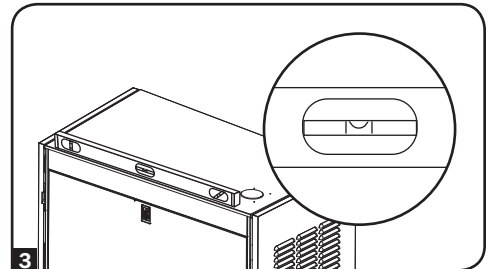
- 2 Use a 14 mm open-end wrench to lower each leveler **A** until it reaches the floor. (There are 4 levelers, 2 at the front and 2 at the rear.) Make sure each leveler contacts the floor solidly.

Note:

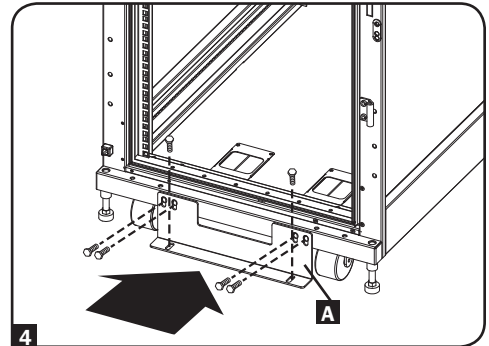
1. Lower a leveler by turning it clockwise; raise a leveler by turning it counter-clockwise.
2. Damage to the doors may occur if the levelers are retracted too far.



- 3 After lowering each leveler, use the carpenter's level to confirm that the enclosure is level in all directions. Adjust the levelers as required until the enclosure is level.

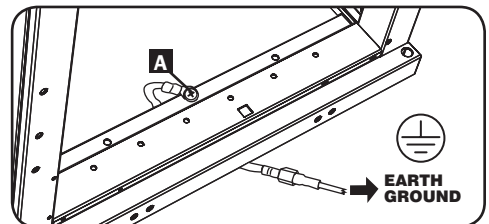


- 4 (Optional) To provide an additional measure of stability, you can attach the shipping brackets removed in the "Unpacking" section using the hardware that attached the enclosure to the shipping pallet. Use a 13 mm open-end wrench to connect the brackets to the outer **A** bracket mounting points of the enclosure. Attach the brackets to secure mounting points in the floor using user-supplied hardware or Tripp Lite's SmartRack Bolt-Down Kit (Part # SRBOLTDOWN).



Ground Connection

All the parts of the enclosure are grounded to the frame of the enclosure. Use the enclosure's front or rear threaded grounding point **A** and an M6 screw (included) to connect the frame of the enclosure directly to your facility's earth ground connection with an 8 AWG (3.264 mm) wire. Route the ground wire under the enclosure's frame to ensure unhindered door operation. **WARNING: Attach each enclosure to earth ground separately. Do not use the enclosure without an earth ground connection.**



AC Power Connection

To power the ventilation fans, you will need to connect each fan panel to an AC power source. Each fan panel has a C14 inlet at its center. Use the included C13-to-NEMA 5-15P power cords (3) to connect each fan panel to a 120V AC power source.

Enclosure Configuration

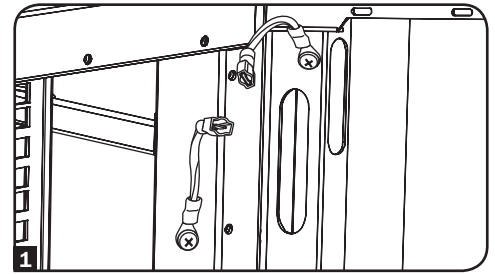
Adding or Removing Front and Rear Doors

WARNING: Do not attempt to add or remove doors without assistance.

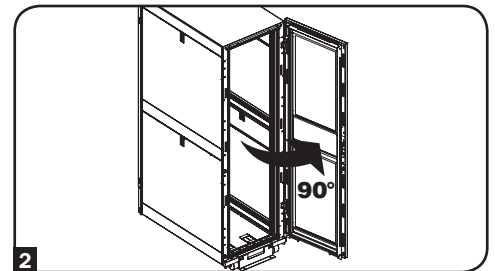
Note: The doors are designed to seal tightly and may require pushing on the top or bottom of the doors to set them properly.

Removing Door

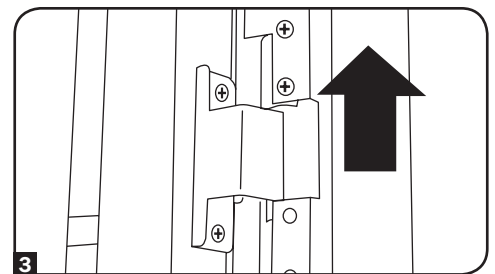
1 Disconnect the door's ground wire.



2 Open the door until it is perpendicular (90 degrees) to the front of the enclosure.



3 Lift the door from the hinges and remove it from the enclosure.



To Reinstall Door, Reverse Steps 1-3

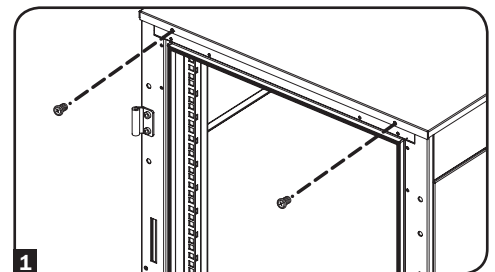
(Optional) If the enclosure is joined to another enclosure, turn the door back toward the enclosure as you lift it from the hinges.

Adding or Removing Roof Panel

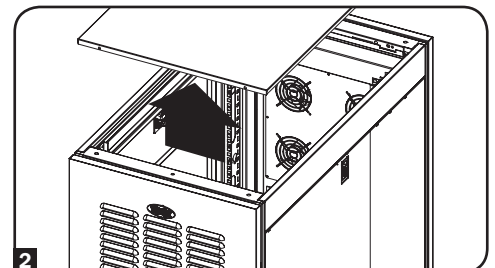
WARNING: Do not attempt to use the roof panel for weight-bearing purposes other than those explicitly described and approved by Tripp Lite. Do not attempt to add or remove the roof panel without assistance.

Removing Roof Panel

1 Remove the 4 screws (2 on front, 2 on back) that attach the roof panel to the unit.



2 Lift the roof panel from the enclosure.



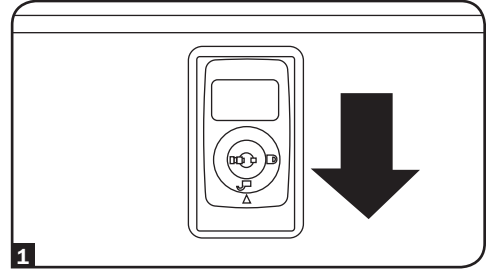
To reinstall roof panel, reverse these steps

Enclosure Configuration

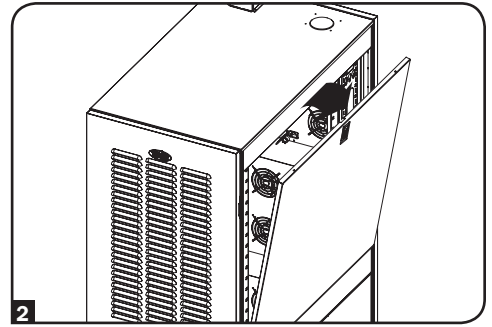
Adding or Removing Side Panels

Removing Side Panel

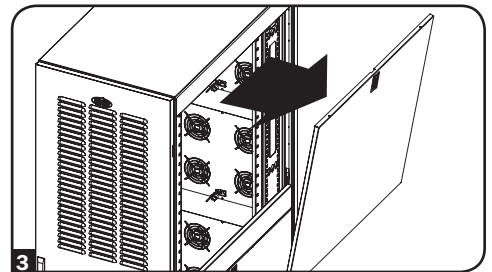
1 Open the latch by sliding it downward.



2 Tilt the top of the panel away from the enclosure.



3 Lift the panel away from the brace that supports it.



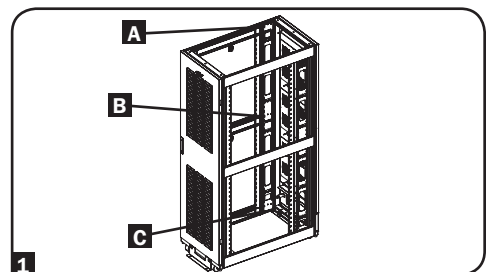
To Reinstall Side Panel, Reverse Steps 1-3

Adjusting Mounting Rails and Cable Management Rails

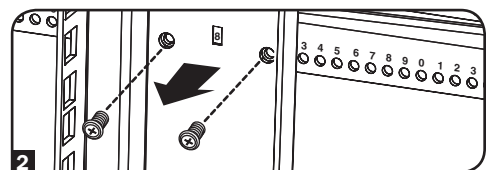
WARNING: Do not attempt to adjust rails without assistance. Do not attempt to adjust rails while equipment is installed in the enclosure. Do not attempt to use rails without screws installed (6 per rail).

The 4 mounting rails are pre-installed to accommodate equipment with a mounting depth of 30 inches (762 mm). Do not adjust the mounting rails unless your equipment requires a different mounting depth. The front and rear sets of rails can be adjusted independently in ¼-inch (6 mm) increments for mounting depths between 4 inches (101.6 mm) and 42 inches (1066.8 mm).

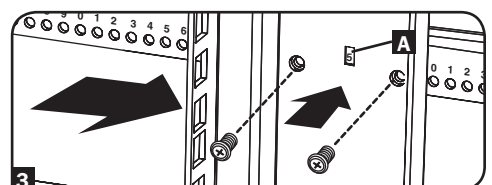
1 Each rail is connected to the enclosure with 6 screws - 1 pair at the upper beam **A**, 1 pair at the middle beam **B** and 1 pair at the lower beam **C**.



2 Remove the screws fastening each of the rear mounting rails to the enclosure. (If adjustment of the front rails is required, you can also remove the screws from the front rails.)



3 Slide the mounting rails to the desired depth and reattach them using the screws you removed in Step 2. The rail attachment points are numbered **A** to help you align each pair of rails at the same depth.



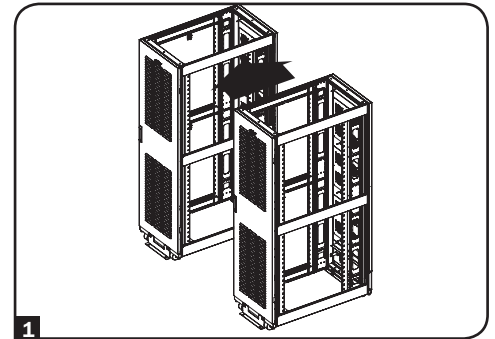
The depth of the 2 cable management rails can be adjusted using the same method.

Enclosure Configuration

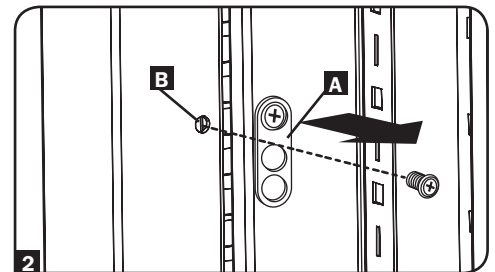
Combining (Baying) Enclosures

WARNING: Combining enclosures is not a substitute for stabilizing the enclosures. Each enclosure in a bay of combined enclosures requires the same stabilizing measures as a standalone enclosure.

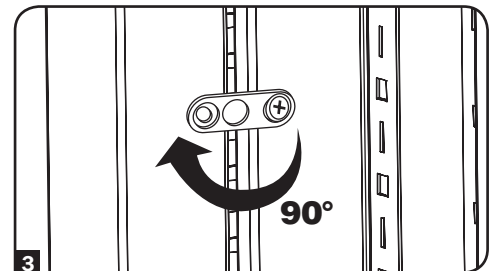
1 Arrange the enclosures in the correct position for baying.



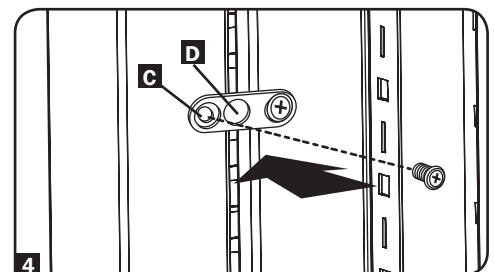
2 Each enclosure includes 4 baying brackets **A** that correspond to baying connection points **B** on the adjoining enclosure. The baying connection points already contain screws. Remove the screw from each baying connection point in the adjoining enclosure.



3 Loosen the screw in each baying bracket and turn each bracket 90 degrees toward the adjoining enclosure, aligning each bracket with the corresponding baying connection point on the adjoining enclosure.



4 Connect each bracket to the adjoining enclosure using the screws you removed in step 2, but do not tighten the screws completely. Adjust the position of the enclosures as needed. If you want the centers of the enclosures to be 24 inches (61 cm) apart, use the outside hole of the bracket **C**. If you want the centers to be 60 cm (23.6 inches) apart, use the middle hole of the bracket **D**. After connecting all brackets and confirming that the enclosures do not need further adjustment, tighten all screws.



Note: You may wish to remove the doors from the enclosures before combining them. Reinstalling the doors afterward is optional. Remove the interior side panels before baying enclosures if you wish to enable access between enclosures.

Enclosure Configuration

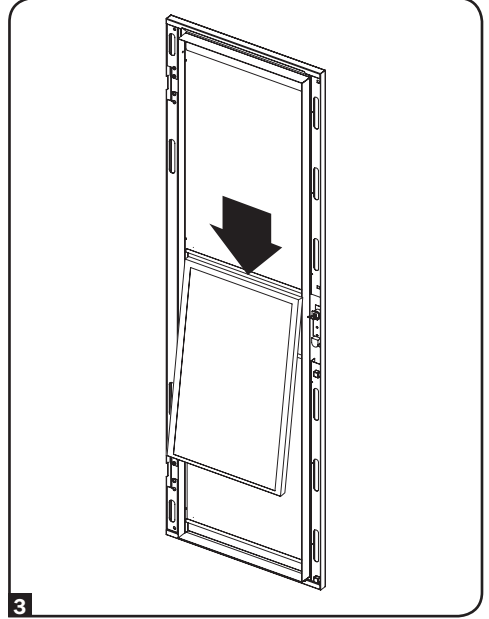
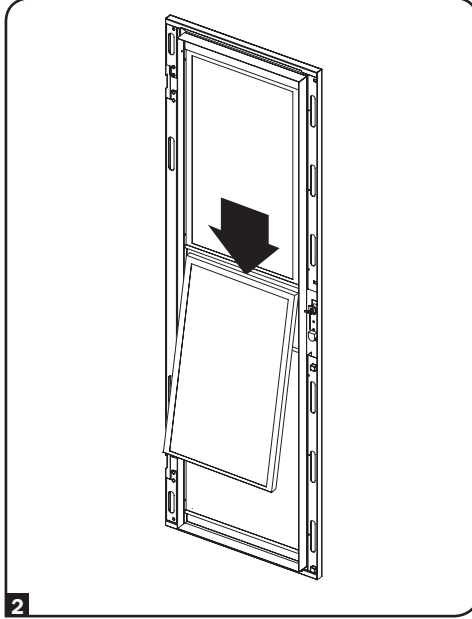
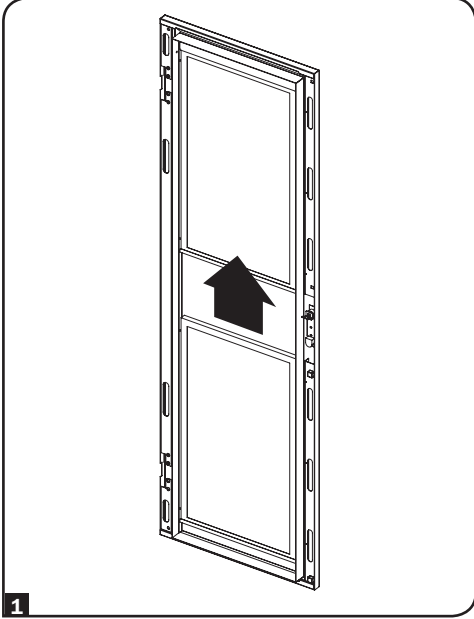
Cleaning/Replacing Filters

The SR42UBEIS comes with pre-installed dust filters in the front door. It uses standard 18" x 30" filters that can be found at most home improvement stores. To remove the filters for cleaning or replacement:

1 Slide the filter up into the top filter slot so that the bottom of the filter is above the bottom filter slot.

2 Pull the filter away from the door until it is past the bottom filter slot.

3 Pull the filter down out of the top filter slot.

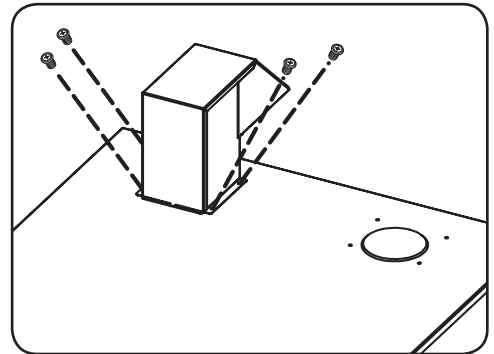


Installing the Drip-Resistant Cable Access Housing (Optional)

The SR42UBEIS comes with an optional cable access port housing for drip-resistant cable access at the top of the unit. To install this feature, please follow these instructions:

1 Remove one of the rubber sealing plugs from the top rear of the enclosure by pushing it out from inside of the unit

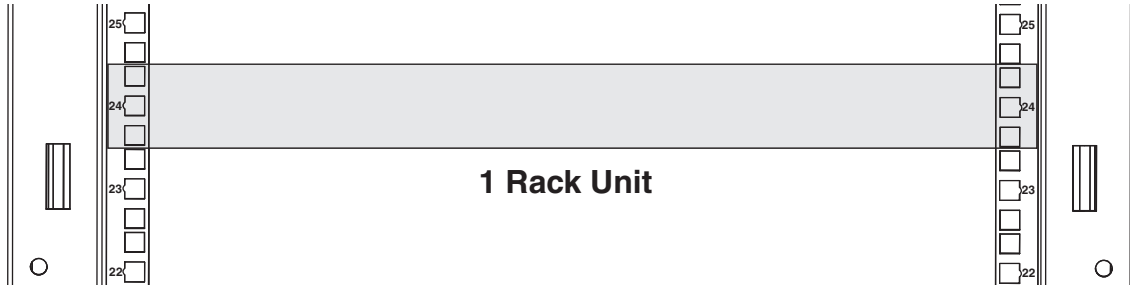
2 Mount the cable access housing using the included M4 x 8mm pan head machine screws and toothed washers (4 of each). Fasten the screws into each of the threaded holes.



Equipment Installation

WARNING: Do not install equipment until you have stabilized the enclosure. Install heavier equipment first and install it toward the bottom of the enclosure. Install equipment starting from the bottom of the enclosure and proceeding toward the top of the enclosure - never the reverse. If using sliding equipment rails, be careful when extending the rails. Do not extend more than one set of sliding equipment rails at one time. Avoid extending sliding equipment rails near the top of the enclosure.

Note: The square holes at the middle of each rack unit are numbered and also include a small notch to aid identification. A single rack unit includes the space occupied by the numbered hole and the holes directly above and below.



Installing or Removing Cage Nuts

WARNING: The flanges of the cage nuts should engage the sides of the square opening in the rail, not the top and bottom. Follow the instructions in your equipment documentation to ensure proper installation of your equipment.

Installing Cage Nuts

- 1 Locate the numbered square openings in the mounting rails where you plan to install your equipment. You will install cage nuts (included) into the square openings in order to provide an attachment point for the mounting screws (included).

Note: Consult your equipment documentation to determine how many cage nuts will be required and where they will need to be installed.

- 2 From the inside of the mounting rail, insert one of the flanges of the cage nut through the square opening. Press it against the side of the square opening. Each flange should engage one side of the square opening, not the top or bottom.

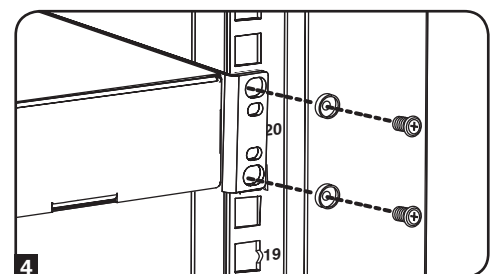
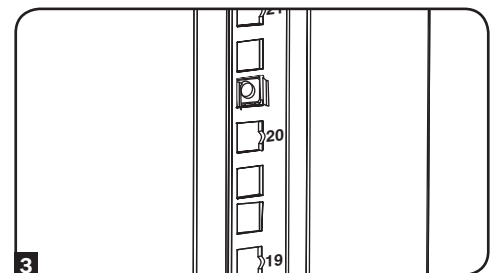
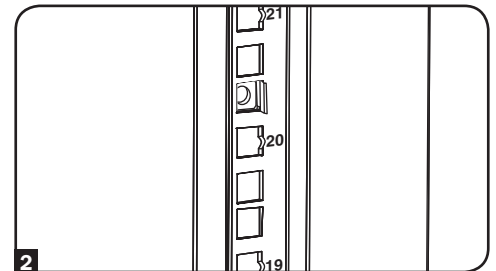
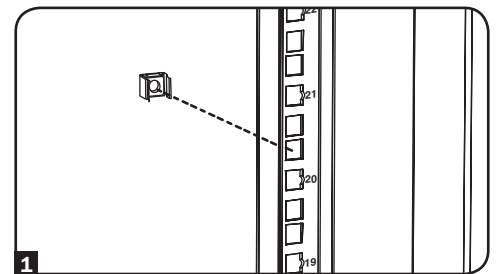
- 3 Compress the cage nut at the sides slightly to allow the remaining flange to fit through the square opening. When the cage nut is properly installed, both flanges will protrude through the square opening and will be visible on the outer surface of the mounting rail. Repeat steps 1-3 until all required cage nuts are installed.

- 4 After installing the required cage nuts, use the included mounting screws and cup washers to secure your equipment to the rack rail. Place the cup washers between the screws and the equipment mounting brackets.

Note: Your equipment may also include mounting hardware. Read the mounting instructions that came with your equipment before installing your equipment.

To Remove Cage Nuts, Reverse Steps 1-3

Note: You may wish to use a cage nut tool (user-supplied) to aid cage nut installation and removal.



Specifications

Model	Load Rating		Unit Dimensions				Shipping Dimensions			
	Static	Rolling	Height	Width	Depth	Weight	Height	Width	Depth	Weight
SR42UBEIS	3000 lb. (1361 kg)	3000 lb. (1361 kg)	79.8 in. (2063 mm)	23.63 in. (600 mm)	43 in. (1092 mm)	310 lb. (141 kg)	86.5 in. (2197 mm)	26 in. (660 mm)	45 in. (1143 mm)	352 lb. (160 kg)

Storage and Service

Storage

The enclosure should be stored in a controlled indoor environment, away from moisture, temperature extremes, flammable liquids and gasses, conductive contaminants, dust and direct sunlight. Store the enclosure in its original shipping container if possible.

Service

Your Tripp Lite product is covered by the warranty described in this manual. A variety of Extended Warranty and On-Site Service Programs are also available from Tripp Lite. For more information on service, visit www.tripplite.com/support. Before returning your product for service, follow these steps:

1. Review the installation and operation procedures in this manual to insure that the service problem does not originate from a misreading of the instructions.
2. If the problem continues, do not contact or return the product to the dealer. Instead, visit www.tripplite.com/support.
3. If the problem requires service, visit www.tripplite.com/support and click the Product Returns link. From here you can request a Returned Material Authorization (RMA) number, which is required for service. This simple on-line form will ask for your unit's model and serial numbers, along with other general purchaser information. The RMA number, along with shipping instructions will be emailed to you. Any damages (direct, indirect, special or consequential) to the product incurred during shipment to Tripp Lite or an authorized Tripp Lite service center is not covered under warranty. Products shipped to Tripp Lite or an authorized Tripp Lite service center must have transportation charges prepaid. Mark the RMA number on the outside of the package. If the product is within its warranty period, enclose a copy of your sales receipt. Return the product for service using an insured carrier to the address given to you when you request the RMA.

Warranty and Product Registration

2-Year Limited Warranty

Seller warrants this product, if used in accordance with all applicable instructions, to be free from original defects in material and workmanship for a period of 2 years from the date of initial purchase. If the product should prove defective in material or workmanship within that period, Seller will repair or replace the product, in its sole discretion.

THIS WARRANTY DOES NOT APPLY TO NORMAL WEAR OR TO DAMAGE RESULTING FROM ACCIDENT, MISUSE, ABUSE OR NEGLIGENCE. SELLER MAKES NO EXPRESS WARRANTIES OTHER THAN THE WARRANTY EXPRESSLY SET FORTH HEREIN. EXCEPT TO THE EXTENT PROHIBITED BY APPLICABLE LAW, ALL IMPLIED WARRANTIES, INCLUDING ALL WARRANTIES OF MERCHANTABILITY OR FITNESS, ARE LIMITED IN DURATION TO THE WARRANTY PERIOD SET FORTH ABOVE; AND THIS WARRANTY EXPRESSLY EXCLUDES ALL INCIDENTAL AND CONSEQUENTIAL DAMAGES. (Some states do not allow limitations on how long an implied warranty lasts, and some states do not allow the exclusion or limitation of incidental or consequential damages, so the above limitations or exclusions may not apply to you. This warranty gives you specific legal rights, and you may have other rights which vary from jurisdiction to jurisdiction).

WARNING: The individual user should take care to determine prior to use whether this device is suitable, adequate or safe for the use intended. Since individual applications are subject to great variation, the manufacturer makes no representation or warranty as to the suitability or fitness of these devices for any specific application.


Product Registration

Visit www.tripplite.com/warranty today to register your new Tripp Lite product. You'll be automatically entered into a drawing for a chance to win a FREE Tripp Lite product!*

* No purchase necessary. Void where prohibited. Some restrictions apply. See Web site for details.

Tripp Lite follows a policy of continuous improvement. Product specifications are subject to change without notice.

Note on Labeling

This symbol is used on the product:  Ground Connection



1111 W. 35th Street, Chicago, IL 60609 USA • www.tripplite.com/support

Manual del Propietario

Gabinete SmartRack® con Especificación IP54 (NEMA 12)

Modelo: SR42UBEIS

Instrucciones de Seguridad Importantes	14
Descripción	14
Identificación de Características	15
Instalación del Estante	16
Preparación	16
Desempaque	16
Colocación	17
Nivelación	18
Conexión a Tierra	18
Conexión a Corriente Alterna CA	18
Configuración del Estante	19
Añadiendo o Removiendo las Puertas del Frente y Traseras	19
Añadiendo o Removiendo el Panel Superior/Techo	19
Añadiendo o Removiendo los Paneles Laterales	20
Ajustando los Rieles de Montaje y los Rieles para el Manejo de los Cables	20
Combinando [Baying] Estantes	21
Limpieza/Reemplazo de Filtros	22
Instalación del Alojamiento de Acceso de los Cables (Opcional)	22
Instalación del Equipo	23
Instalar o Remover las Tuercas de Jaula	23
Especificaciones	24
Almacenaje y Servicio	24
Garantía	24
English	1
Français	25



Excelencia en
Manufactura.

1111 W. 35th Street, Chicago, IL 60609 USA • www.tripplite.com/support

Derechos de Autor © 2017 Tripp Lite. Todas las marcas registradas son totalmente propiedad de sus respectivos dueños.



CONSERVE ESTAS INSTRUCCIONES

Todas las secciones de este manual contienen instrucciones y advertencias que deberás seguirse durante la instalación y uso de los Estantes SmartRack descritos en este manual. Lea cuidadosamente todas las instrucciones y advertencias antes de intentar mover, instalar o usar los Bastidores SmartRack descritos en este manual. No adherirse a las instrucciones y advertencias de este manual crearán un riesgo de lesiones personales y daños a la propiedad y puede afectar la garantía.

- Mantenga el estante en un ambiente al interior controlado, lejos de la humedad, temperaturas extremas, líquidos y gases inflamables, contaminantes conductores, polvo y luz solar directa.
- Deje un espacio adecuado al frente y atrás del estante para una ventilación adecuada. No bloquee, cubra o inserte objetos en las aberturas de ventilación externa del estante.
- El estante es extremadamente pesado. Tenga cuidado cuando maneje el estante. No intente desempacar, moverlo o instalarlo sin ayuda. Use algún dispositivo mecánico como un montacargas o gato para tarima [pallet jack] para mover el estante y el contenedor de embarque.
- No coloque ningún objeto sobre el estante, especialmente envases con líquidos y no intente apilar los estantes.
- Inspeccione el contenedor de embarque y el estante por posibles daños en el envío. No use el estante si está dañado.
- Deje el estante en el contenedor de embarque hasta que haya sido movido tan cerca como sea posible a su ubicación final. Las ruedas están diseñadas para ajuste de posición menores dentro del área de instalación final únicamente. Las ruedas no están diseñadas para mover el estante sobre distancias más largas.
- Instale el estante en un área estructuralmente sólida con un piso nivelado que sea capaz de resistir el peso del estante, a todo el equipo que vaya a ser instalado en el estante y cualquier otro estante y/o equipo que vaya ser instalado cerca.
- No empuje el estante de los paneles laterales para moverlo. Empujándolo de los paneles laterales puede causar una volcadura.
- Cuando mueva el estante sobre sus ruedas siempre empújelo desde atrás, nunca lo jale hacia usted.
- Un estante en movimiento puede ocasionar lesiones personales y daños a la propiedad si no es supervisado adecuadamente. Si es necesario rodar hacia abajo por una rampa al estante extreme precauciones. No intente usar rampas que tengan un declive mayor de 1:12.
- Sea precavido cuando corte el material de empaque. El estante se puede rayar causando un daño no cubierto por la garantía.
- Conserve todo el material de empaque para uso posterior. Reempacar y embarcar el estante sin el empaque original puede causar daños al producto que anularán su garantía.
- No envíe el estante con equipo adicional al menos que el estante haya sido enviado con un shock pallet especial [Tarima de uso pesado] (solamente en los modelos "SP1" y "SP2"). El peso combinado del estante y el equipo instalado no debe exceder la capacidad de la tarima. Tripp Lite no es responsable de ningún daño que ocurra durante el reenvío.
- Use el uso de este equipo en aplicaciones de soporte de vida en donde la falla de este equipo pueda hacer suponer que causará la falla del equipo de soporte de vida o significativamente afectar su seguridad o efectividad no es recomendado.

Descripción

Los gabinetes SmartRack sirven para colocar cualquier equipo estándar para montaje en rack de 19 pulgadas, independientemente del proveedor y se envían completamente ensamblados para una implementación rápida y fácil. Presentan gabinetes adaptables de uso rudo con profundidades de montaje variables, que los hace ideales para servidores. Los herrajes de combinación integradas permiten la expansión económica, ordenada y eficiente. Los gabinetes incluyen puertas y paneles laterales de desmontaje rápido para mantenimiento funcional. Las puertas y los paneles laterales se pueden asegurar.

El SR42UBEIS tiene una clasificación IP54 (NEMA 12) y está diseñado para protegerse contra el polvo y resistente al goteo y a las salpicaduras. Presenta puertas delanteras y traseras con rejillas de ventilación, con empaques selladores y filtros de para el polvo. Las puertas sellan herméticamente y pueden requerir que se empuje la parte superior o inferior de las puertas para asentarlas apropiadamente. La puerta trasera está equipada con 12 ventiladores en 3 paneles de ventiladores alimentados individualmente, que garantizan un flujo de aire constante. Se puede montar un alojamiento opcional de acceso al cable, resistente al polvo y al goteo sobre la parte superior del gabinete para el acceso protegido del cable del techo. El gabinete también presenta 4 puertos de acceso resistentes al polvo y al goteo, ubicados en el piso y la puerta trasera del gabinete. Las ruedas de servicio pesado industrial, permiten un soporte de largo plazo y una carga estacionaria/rodante de 1360 kg (3,000 lb.)

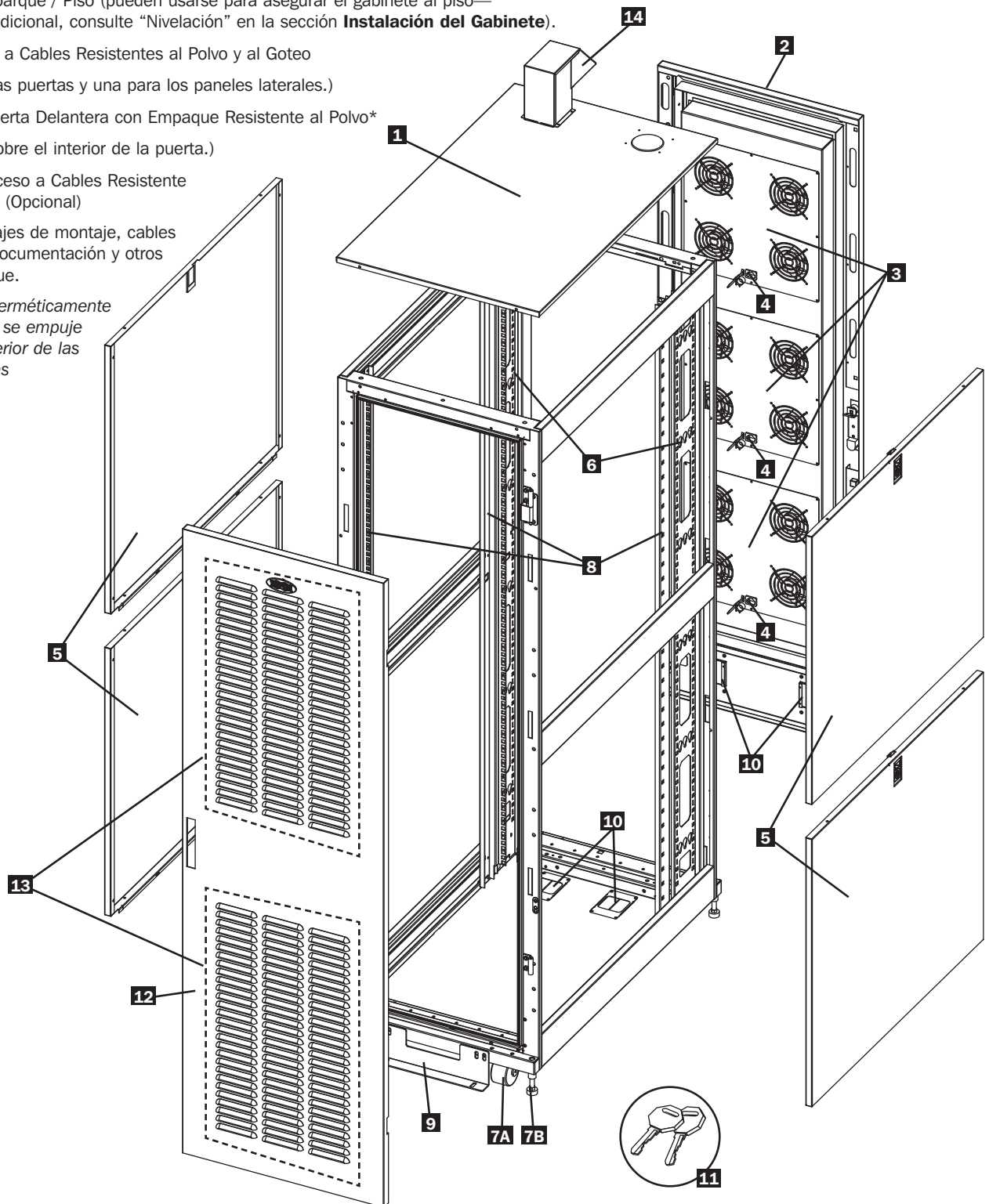
Identificación de Características

- 1 Panel del Techo con Tapa Resistente al Goteo
- 2 Cerradura de la Puerta Trasera con Empaque Resistente al Polvo*
- 3 Paneles de Ventiladores
- 4 Entradas de CA
- 5 Paneles laterales con Cerradura
- 6 Rieles para el Manejo de Cables
- 7 Ruedas **A** y Niveladores **B** Industriales de Servicio Pesado
- 8 Rieles de Montaje (Proporciona puntos de montaje vertical y horizontal para el equipo.)
- 9 Soportes para Embarque / Piso (pueden usarse para asegurar el gabinete al piso— Para información adicional, consulte “Nivelación” en la sección **Instalación del Gabinete**).

- 10 Puertos de Acceso a Cables Resistentes al Polvo y al Goteo
- 11 Llaves (Una para las puertas y una para los paneles laterales.)
- 12 Cerradura de la Puerta Delantera con Empaque Resistente al Polvo*
- 13 Filtros de Polvo (Sobre el interior de la puerta.)
- 14 Alojamiento de Acceso a Cables Resistente al Polvo y al Goteo (Opcional)

No se muestran: Herrajes de montaje, cables de alimentación (3), documentación y otros materiales de embarque.

* Las puertas sellan herméticamente y pueden requerir que se empuje la parte superior o inferior de las puertas para asentarlas apropiadamente.



Instalación del Estante



¡Precaución! ¡Lea Todas las Instrucciones y Advertencias Antes de la Instalación!



ADVERTENCIA: El estante es extremadamente pesado. No trate de desempacar, mover o instalar el estante sin ayuda. Hasta que no haya sido adecuadamente instalado y estabilizado, el estante está propenso a volcarse y puede causar daños a la propiedad y/o lesiones personales. Extreme precauciones cuando maneje el estante y asegúrese de seguir todas las instrucciones de manejo e instalación. No intente instalar equipo sin antes haber estabilizado el estante.

Preparación

El estante debe instalarse en un área estructuralmente sólida con un piso nivelado que sea capaz de resistir el peso del estante, el equipo que será instalado en el estante y otros estantes y/o equipos instalados en la cercanía. Antes de desempacar el estante, deberá transportar el contenedor de embarque cerca de la ubicación de la instalación final a fin de minimizar la distancia que necesitará mover la unidad antes que el empaque de protección haya sido removido. Si piensa almacenar el estante por un periodo prolongado antes de instalarlo, siga las instrucciones indicadas en la sección **Almacenaje y Servicio**.

Necesitará varias herramientas (suministradas por el usuario):

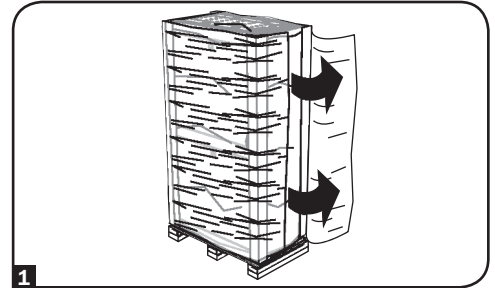
- Llave de tuercas de boca abierta de 13 mm
- Llave de tuercas de boca abierta de 18 mm
- Navaja/Cutter
- Nivel de Carpintero
- Desatornillador Phillips

También necesitará los siguientes accesorios (incluidos):

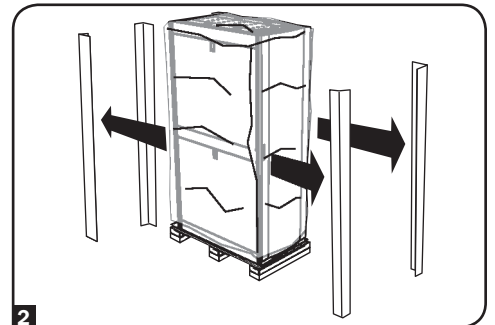
- (50) Tornillos de montaje Phillips (M6 x 5/8")
- (50) Tuercas de Jaula (M6)
- (50) Rondana/arandela de copa de nylon

Desempaque

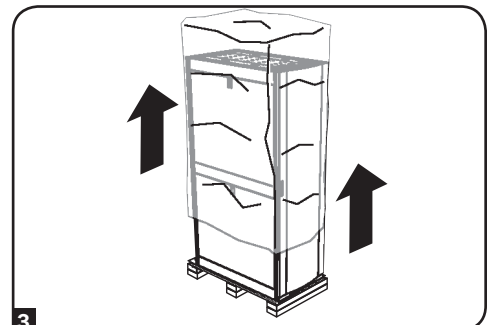
- 1** Confirme que el contenedor de embarque esta hacia arriba y estable, a continuación utilice una navaja para cortar la envoltura plástica [shrink wrap] conservando los protectores de las esquinas. Use la navaja directamente en las esquinas para evitar dañar el estante o cortar la bolsa protectora de plástico de uso pesado debajo de envoltura plástica. **ADVERTENCIA: No raye el estante o corte la bolsa de plástico de uso pesado debajo de la envoltura plástica. No empuje o jale el estante mientras lo desempaca.**



- 2** Remueva los protectores de las esquinas. Guarde todo el material de empaque (incluyendo la tarima) para uso posterior a menos de que tenga la certeza que ya no lo va a necesitar. Los materiales de empaque son reciclables.

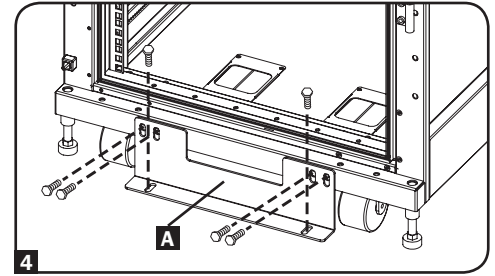


- 3** Remueva la bolsa de plástico de uso pesado que cubre el estante. Examine el estante buscando cualquier daño o partes sueltas. Confirme que están todas las partes y piezas. Si cualquier parte está dañada o falta, comuníquese con Tripp Lite por ayuda. No trate de usar el estante si éste está dañado.

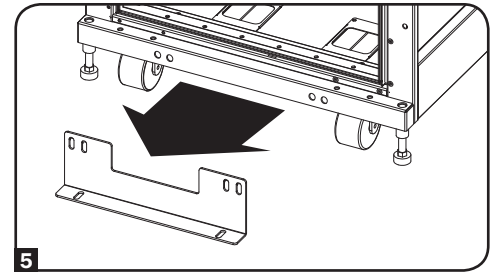


Instalación del Estante

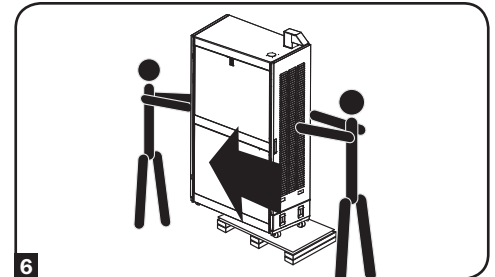
4 Localice dos soportes de embarque **A** que fijan el estante a la tarima de embarque.



5 Use una llave de tuercas de boca abierta de 13 mm para quitar los soportes de embarque. Extreme precauciones ya que el estante podría moverse inesperadamente después que haya quitado los soportes. Conserve los soportes de embarque y los tornillos para uso posterior.

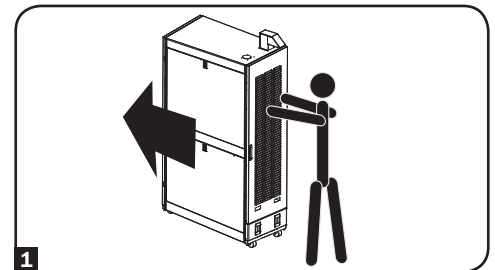


6 Coloque al menos una persona al frente del estante y otra en la parte de atrás del estante. Lentamente empuje el estante hacia atrás de la tarima de embarque hasta que las cuatro ruedas rebasen totalmente la parte posterior de la tarima y estén el piso. **ADVERTENCIA: Use al menos un ayudante para mover el estante de la tarima. Extreme precauciones cuando mueva el estante.**



Colocación

1 Use las ruedas para mover el estante cortas distancias sobre una superficie nivelada, suave y estable empujándolo por atrás (no de los paneles laterales). No trate de rodar el estante por largas distancias. El estante deberá moverse lo más cerca que sea posible al lugar de la ubicación final dentro del contenedor de embarque antes de desempacarlo. (Use un montacargas o gato para tarima para mover el contenedor de embarque.) **ADVERTENCIA: No empuje o jale el estante de los paneles laterales o jale el estante hacia usted.**

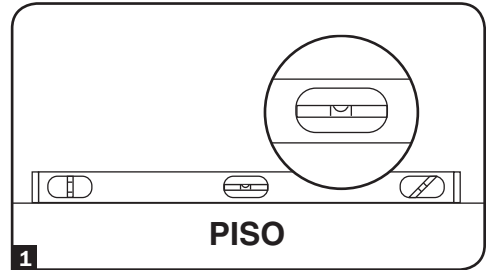


Instalación del Estante

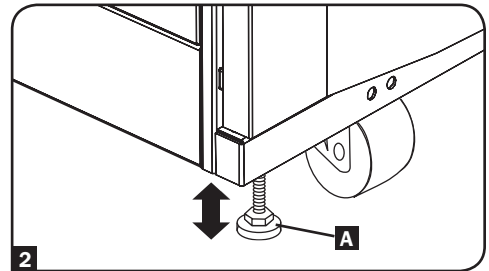
Nivelación

ADVERTENCIA: Nivele el estante antes de intentar instalar el equipo. Las ruedas no están diseñadas para dar soporte por largo tiempo al estante. Use los niveladores/puntales para dar soporte por largo tiempo. Instale el estante en un área estructuralmente sólida con un piso nivelado que sea capaz de resistir el peso del estante, a todo el equipo que vaya a ser instalado en el estante y cualquier otro estante y/o equipo que vaya ser instalado cerca.

1 Después que el estante haya sido movido al lugar de instalación, use un nivel de carpintero para revisar la pendiente del piso. Si el piso tiene una pendiente de más de 1% escoja otro lugar para la instalación.



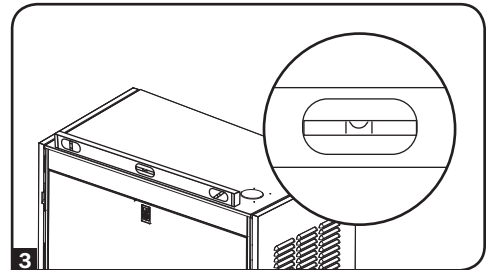
2 Use una llave de tuercas de boca abierta de 18 mm para bajar cada nivelador/puntal **A** hasta que toque el piso. (Hay 4 niveladores, 2 al frente y 2 atrás.) Asegúrese que cada nivelador haga contacto sólido con el piso.



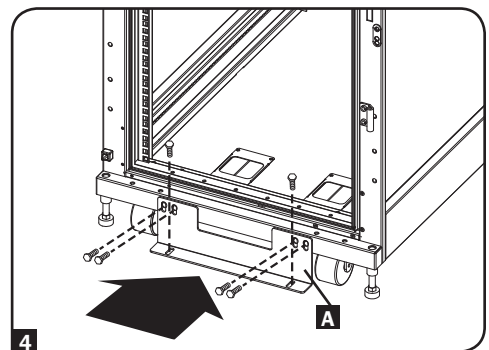
Nota:

1. Baje un nivelador girándolo en el sentido de las manecillas del reloj, elévelo girándolo en contra del sentido de las manecillas del reloj.
2. Si los niveladores se retraen demasiado, puede ocurrir un daño a las puertas.

3 Después de bajar cada nivelador, use el nivel de carpintero para confirmar que el estante está nivelado en todas las direcciones. Ajuste los niveladores hasta que el estante esté nivelado.

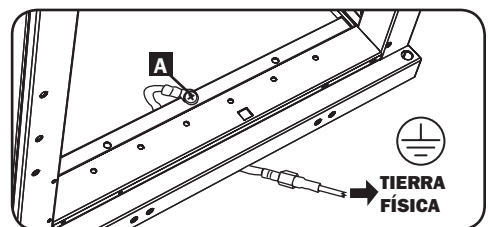


4 (Opcional) Para proporcionar una medida adicional de estabilidad, puede fijar los soportes de embarque retirados en la sección de "Desempacado" usando los accesorios que sujetaban el gabinete a la tarima de embarque. Use una llave de tuercas de boca abierta de 13 mm para conectar los soportes de embarque a los puntos de montaje externos **A** del estante. A continuación fije los soportes a los puntos de anclaje en el piso utilizando tornillos suministrados por el usuario o con el juego SmartRack Bolt-Down de Tripp Lite (Modelo: SRBOLTDOWN).



Conexión a Tierra

Todas las partes del estante están conectadas a tierra al marco del estante. Use los puntos con cuerda de conexión a tierra al frente o atrás del estante **A** y un tornillo M6 (incluido) para conectar el marco del estante directamente a la tierra física de sus instalaciones con un cable 8 AWG (3.264 mm). Enrute el cable de tierra por debajo del marco del estante para asegurar una operación de la puerta correctamente articulada. **ADVERTENCIA: Fije la conexión a tierra de cada estante por separado. No use el estante sin una adecuada conexión a tierra.**



Conexión a Corriente Alterna CA

Para alimentar a los ventiladores, necesitará conectar cada panel de ventiladores a una fuente de CA. Cada panel de ventiladores tiene una entrada C14 en su centro. Utilice los cables (3) de alimentación C13 a NEMA 5-15P incluidos para conectar cada panel de ventiladores a la fuente de alimentación de 120V CA.

Configuración del Estante

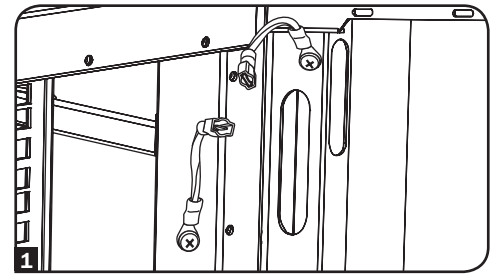
Añadiendo o Removiendo las Puertas del Frente y Traseras

ADVERTENCIA: No intente añadir o remover las puertas sin ayuda.

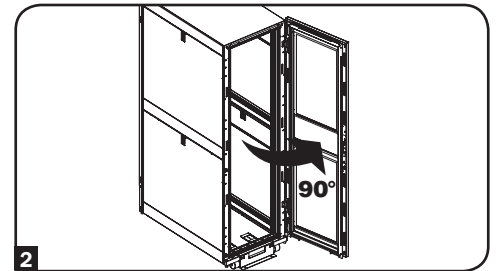
Nota: Las puertas sellan herméticamente y pueden requerir que se empuje la parte superior o inferior de las puertas para asentarlas apropiadamente.

Removiendo la Puerta

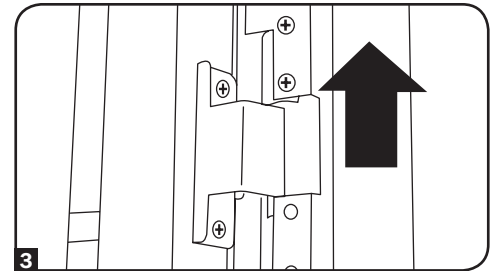
1 Desconecte el cable de conexión a tierra de la puerta.



2 Abra la puerta hasta que este perpendicular (90 grados) al frente del estante.



3 Levante la puerta hasta sacarla de las bisagras y quítela del estante.



Para Reinstalar la Puerta, Revierta los Pasos 1 a 3

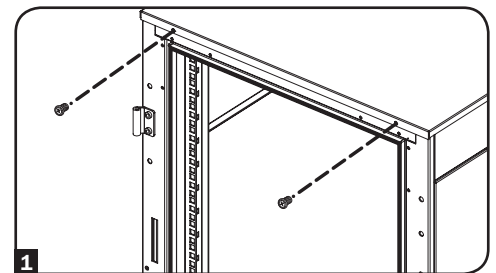
(Opcional) Si el estante está unido a otro estante, gire la puerta hacia el estante mientras la saca de sus bisagras.

Añadiendo o Removiendo el Panel Superior/Techo

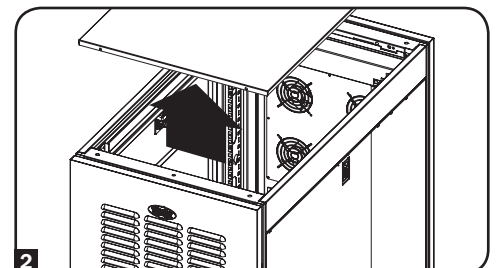
ADVERTENCIA: No intente usar el panel superior para soportar pesos que no sean los explícitamente descritos y aprobados por Tripp Lite. No intente poner o quitar el panel superior sin asistencia.

Removiendo el Panel Superior

1 Retire los 4 tornillos (2 en el frente, 2 en la parte trasera) que conectan el panel del techo con la unidad.



2 Levante el panel superior del estante.



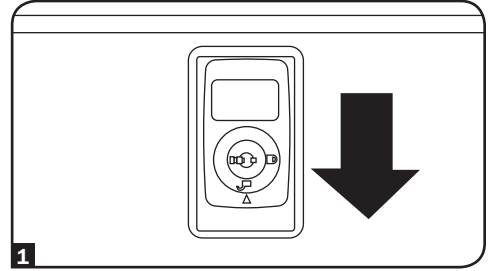
Para reinstalar el panel del techo, invierta estos pasos.

Configuración del Estante

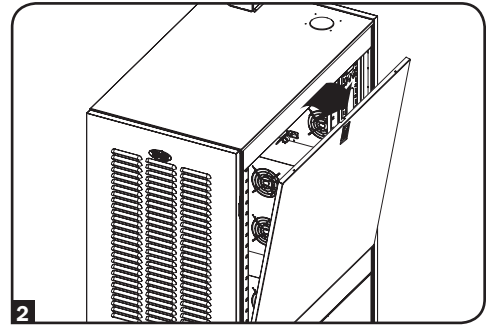
Añadiendo o Removiendo los Paneles Laterales

Removiendo el Panel Lateral

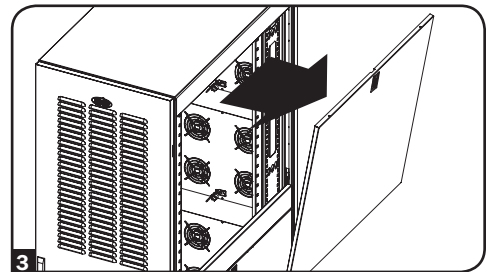
1 Abra el pestillo deslizándolo hacia abajo.



2 Incline la parte superior del panel hacia afuera del estante.



3 Retire el panel de la abrazadera que lo soporta.



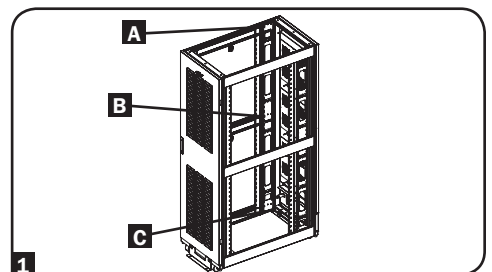
Para Reinstalar el Panel Lateral, Revierta los Pasos 1 a 3

Ajustando los Rieles de Montaje y los Rieles para el Manejo de los Cables

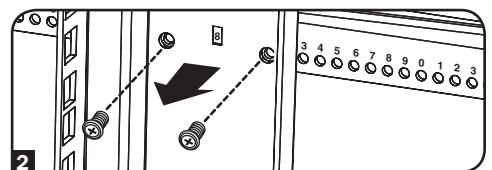
ADVERTENCIA: No intente ajustar los rieles sin asistencia. No intente ajustar los rieles con equipo instalado en el estante. No intente usar los rieles sin haber instalado los tornillos (6 por riel).

Los 4 rieles de montaje están preinstalados para acomodar equipo con un fondo de montaje de 30 pulgadas (762 mm). No ajuste los rieles de montaje a menos que su equipo requiera una diferente profundidad para su montaje. El juego de rieles del frente y traseros pueden ajustarse independientemente en incrementos de $\frac{1}{4}$ de pulgada (6 mm) para fondos de montaje entre 4 pulgadas (101.6 mm) y 42 pulgadas (1066.8 mm).

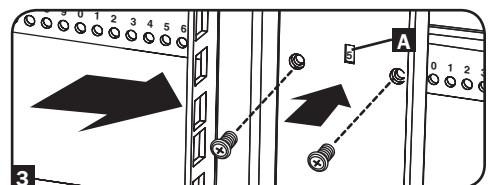
1 Cada riel está conectado al estante con 6 tornillos - 1 par en la barra superior **A**, 1 par en la barra de en medio **B** y 1 par en la barra de hasta abajo **C**.



2 Remueva los tornillos que sujetan cada uno de los rieles de montaje traseros al estante. (Si es necesario ajustar los rieles frontales, también puede quitar los tornillos de los rieles frontales.)



3 Deslice los rieles de montaje a la profundidad deseada y vuélvalos a fijar utilizando los tornillos que quitó en el paso 2 anterior. Puntos de fijación del riel están numerados **A** para ayudarlo a alinear cada par de rieles a la misma profundidad.



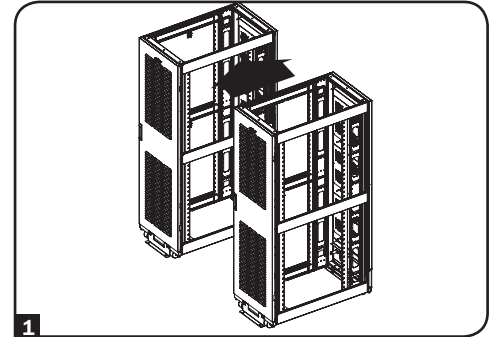
El fondo de los 2 rieles para el manejo de cables pueden ajustarse usando el mismo método.

Configuración del Estante

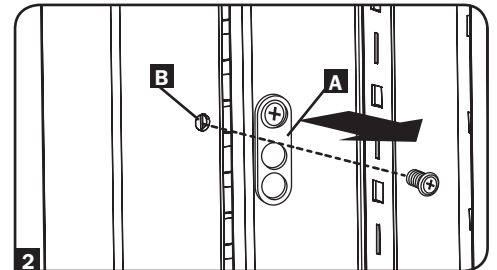
Combinando [Baying] Estantes

ADVERTENCIA: Combinar estantes no es un sustituto para estabilizar los estantes. Cada estante en una bahía de estantes combinados requiere las mismas medidas de estabilización que un solo estante en forma independiente.

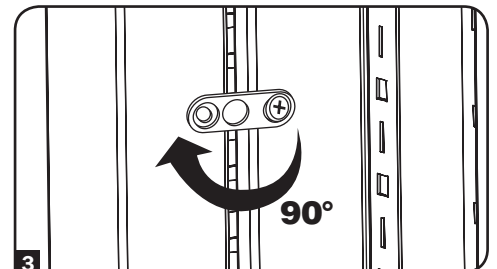
1 Coloque los estantes en la posición correcta para combinarlos [baying].



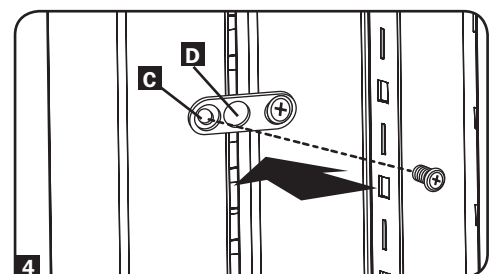
2 Cada estante incluye cuatro tirantes **A** que corresponden a los puntos de conexión para combinar [Baying] **B** al estante contiguo. Los puntos de conexión para unir los estantes ya tienen tornillos. Remueva los tornillos de cada punto de unión en el estante contiguo.



3 Afloje los tornillos en cada tirante y gire cada tirante 90 grados hacia el estante contiguo, alineando cada tirante con el correspondiente punto de unión en el estante contiguo.



4 Conecte cada tirante al estante contiguo utilizando los tornillos que quitó en el paso 2 anterior pero no apriete los tornillos completamente. Ajuste la posición de los estantes conforme se necesite. Si quiere que los centros de los estantes estén separados 24 pulgadas (61 cm)/29.9 pulgadas (76 cm) para el SR42UBWD, use la perforación exterior del tirante **C**. Si quiere que los centros estén separados 60 cm (23.6 pulgadas)/75 cm (29.5 pulgadas) para el SR42UBWD, use el hoyo de en medio **D**. Después de conectar todos los tirantes y confirmar que los estantes no necesitan más ajustes, apriete todos los tornillos.



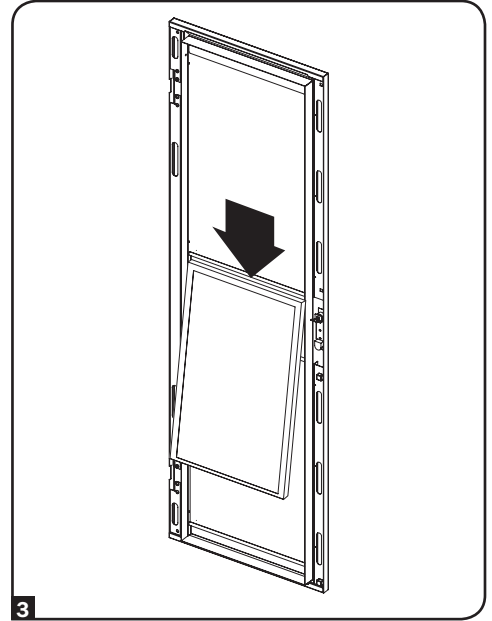
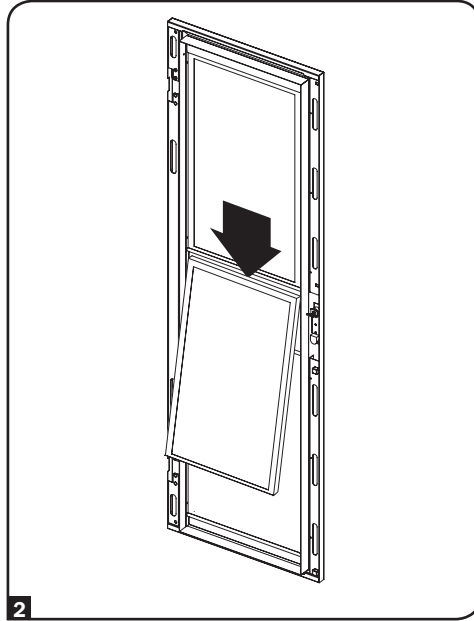
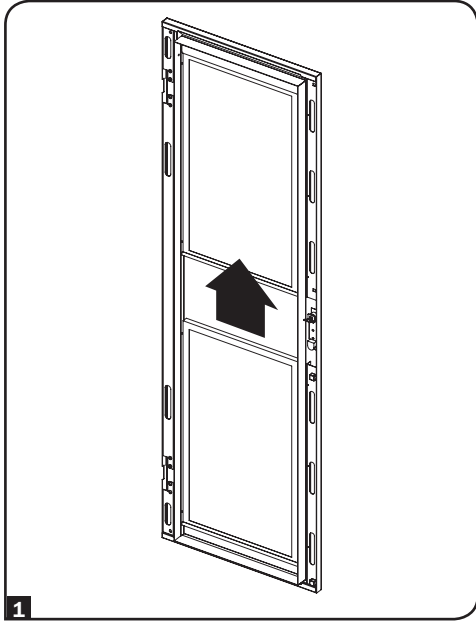
Nota: Puede querer remover las puertas de los estantes antes de juntarlos. Reinstalar posteriormente las puertas es opcional. Remueva el panel lateral interior antes de combinar[baying] los estantes si quiere que haya acceso entre los estantes.

Configuración del Estante

Limpieza/Reemplazo de Filtros

El SR42UBEIS utiliza filtros 18" x 30" estándar que pueden encontrarse en la mayoría de las tiendas de bricolaje. Para quitar los filtros para limpieza o reemplazo:

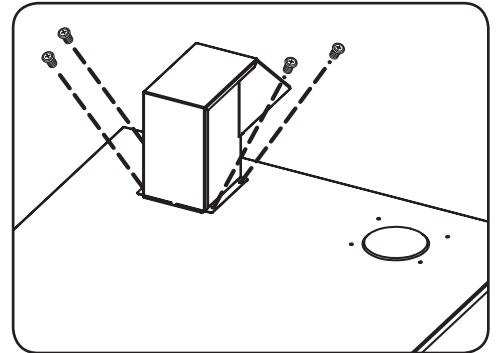
- 1** Deslice el filtro hacia arriba dentro de la ranura superior del filtro de manera que la parte inferior del filtro esté sobre la ranura inferior del filtro.
- 2** Jale el filtro hacia afuera de la puerta hasta que haya pasado la ranura inferior del filtro.
- 3** Jale el filtro hacia abajo fuera de la ranura superior del filtro.



Instalación del Alojamiento de Acceso de Cables Resistente al Goteo (Opcional)

El SR42UBEIS viene con un alojamiento de puerto opcional de acceso de cable resistente al goteo, en la parte superior de la unidad. Para instalar esta característica, siga estas instrucciones:

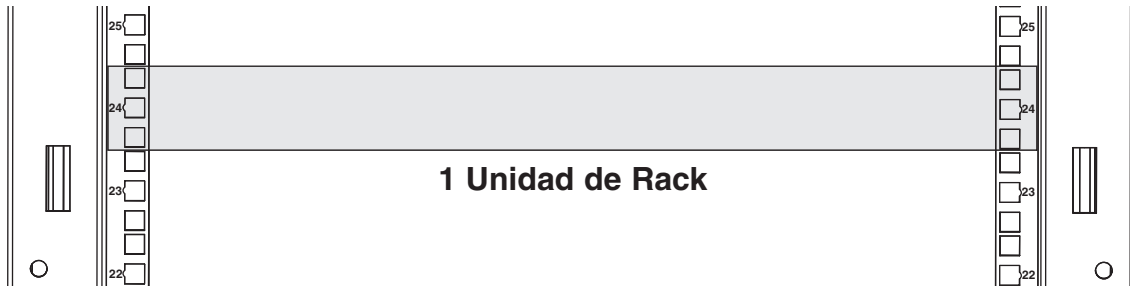
- 1** Retire uno de los tapones selladores de caucho, de la parte superior trasera del gabinete, empujándolo hacia afuera desde dentro de la unidad.
- 2** Monte el alojamiento de acceso de cable, usando los tornillos M4 x 8mm con cabeza de embutir incluidos y las arandelas dentadas (4 de cada una). Apriete los tornillos dentro de cada uno de los orificios roscados.



Instalación del Equipo

ADVERTENCIA: No instale ningún equipo hasta que haya estabilizado el estante. Instale primero el equipo más pesado e instálelo hacia el fondo del bastidor. Instale el equipo comenzando desde el fondo del estante y continuando hacia la parte superior del estante - nunca al revés . Si usa rieles para equipo deslizante sea cuidadoso cuando extienda los rieles. No extienda más de un juego de rieles a la vez. Evite extender los rieles de los equipos deslizables cerca de la parte superior del estante.

Nota: Los hoyos cuadrados en medio de cada unidad de rack están numerados y también incluyen una pequeña muesca para ayudar a identificarlos. Una sola unidad de rack incluye el espacio ocupado por el hoyo numerado y los hoyos directamente arriba y abajo.



Instalar o Remover las Tuercas de Jaula

ADVERTENCIA: Las pestañas de las tuercas de jaula deben encajar en ambos lados de las aperturas cuadradas en el riel, no arriba y abajo. Siga las instrucciones en la documentación de su equipo para asegurarse de una instalación correcta de su equipo.

Instalando las Tuercas de Jaula

- 1 Localice las aperturas cuadradas numeradas en los rieles de montaje en donde planea instalar su equipo. Instale las tuercas de jaula (incluidas) en las perforaciones cuadradas a fin de proporcionar un punto de fijación para montar los tornillos (incluidos).

Nota: Consulte la documentación de su equipo para determinar cuantas tuercas de jaula se necesitarán y en donde se necesitará colocarlos.

- 2 Desde el interior del riel de montaje, inserte una de las pestañas a través de la apertura cuadrada. Presiónela contra los lados de la perforación cuadrada. Cada pestaña debe encajar a un lado de la perforación cuadrada, no arriba o abajo.

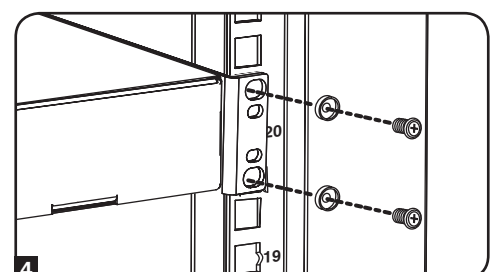
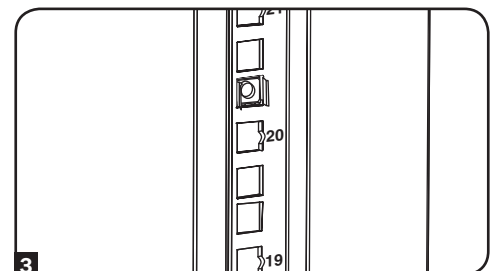
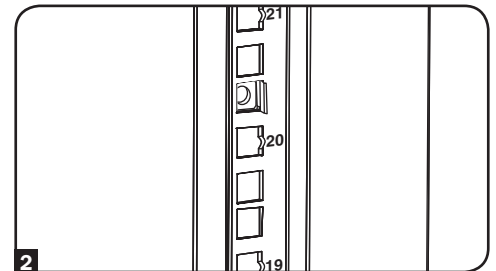
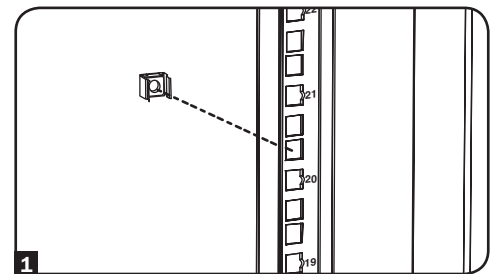
- 3 Comprima ligeramente la tuerca de jaula de los lados para permitir la pestaña restante ajustarse dentro de la apertura cuadrada. Cuando las tuercas estén adecuadamente instaladas, ambas pestañas sobresaldrán a través de la apertura cuadrada y serán visibles en la superficie exterior del riel de montaje. Repita los pasos 1 a 3 hasta que todas las tuercas de jaula requeridas estén instaladas.

- 4 Posteriormente a haber instalado las tuercas de jaula requeridas, use los tornillos de montaje incluidos y rondanas de copa para asegurar su equipo en el riel del rack. Coloque las rondanas de copa entre los tornillos y las abrazaderas de montaje del equipo.

Nota: Su equipo puede incluir su propio hardware de montaje. Lea las instrucciones que acompañan a su equipo antes de instalar el equipo.

Para Quitar las Tuercas de Jaula, Invierta los Pasos 1 a 3

Nota: Puede querer usar una pinza para tuercas de jaula (suministrada por el usuario) para ayudarse en la instalación y remoción de las tuercas de jaula.



Especificaciones

Modelo	Capacidad de Carga		Dimensiones de la Unidad				Dimensiones de Embarque			
	Estático	Rodando	Alto	Ancho	Fondo	Peso	Alto	Ancho	Fondo	Peso
SR42UBEIS	1361 kg (3000 lb.)	1361 kg (3000 lb.)	2063 mm (79.8 pulg.)	600 mm (23.63 pulg.)	1092 mm (43 pulg.)	141 kg (310 lb.)	2197 mm (86.5 pulg.)	660 mm (26 pulg.)	1143 mm (45 pulg.)	160 kg (352 lb.)

Almacenaje y Servicio

Almacenaje

El estante debe almacenarse en un ambiente al interior controlado, lejos de la humedad, temperaturas extremas, líquidos y gases inflamables, contaminantes conductores, polvo y luz solar directa. Almacene el estante si es posible en su empaque original.

Servicio técnico

Su producto Tripp Lite está cubierto por la garantía descrita en este manual. Tripp Lite también pone a su disposición una variedad de Garantías extendidas y Programas de servicio técnico en el sitio. Si desea más información sobre el servicio técnico, visite www.tripplite.com/support. Antes de devolver su producto para servicio técnico, siga estos pasos:

1. Revise la instalación y los procedimientos de operación que se encuentran en este manual para asegurarse de que el problema de servicio no se debe a una mala lectura de las instrucciones.
2. Si el problema persiste, no se comunique ni devuelva el producto al mayorista. En cambio, visite www.tripplite.com/support.
3. Si el problema exige servicio técnico, visite www.tripplite.com/support y haga clic en el enlace Devoluciones de productos. Desde aquí puede solicitar un número de Autorización de Material Devuelto (RMA), que se necesita para el servicio técnico. En este sencillo formulario en línea se le solicitarán los números de serie y modelo de la unidad, junto con otra información general del comprador. El número RMA y las instrucciones para el envío se le enviarán por correo electrónico. La presente garantía no cubre ningún daño (directo, indirecto, especial o consecuencial) del producto que ocurra durante el envío a Tripp Lite o a un centro de servicio técnico de Tripp Lite autorizado. Los productos enviados a Tripp Lite o a un centro de servicio técnico de Tripp Lite autorizado deben tener prepagos los cargos de transporte. Escriba el número RMA en el exterior del embalaje. Si el producto se encuentra dentro del período de garantía, adjunte una copia de su recibo de venta. Envíe el producto para servicio técnico mediante un transportador asegurado a la dirección que se le proporcionó cuando solicitó el número RMA.

Garantía

Garantía Limitada por 2 Años


El Vendedor garantiza este producto, si es usado de acuerdo a las instrucciones aplicables de estar libre de defectos de origen en materiales y mano de obra por un periodo de 2 años. Si el producto mostrara defectos en materiales o mano de obra dentro de ese periodo contados a partir de la fecha de la compra original, el Vendedor reparará o reemplazará el producto a su completa discreción.

ESTA GARANTIA NO APLICA POR EL USO NORMAL O DAÑOS RESULTANTES DE ACCIDENTES, MAL USO, ABUSO O NEGLIGENCIA. EL VENDEDOR NO EXPRESA OTRAS GARANTIAS QUE NO SEA LA GARANTIA EXPRESAMENTE ESTABLECIDA AQUI. EXCEPTO POR LO PROHIBIDO POR LAS LEYES APLICABLES, TODAS LAS GARANTIAS IMPLICADAS, INCLUYENDO TODAS LAS GARANTIAS DE MERCANTIBILIDAD O CONVENIENCIA, SON LIMITADAS AL PERIODO ESTABLECIDO CON ANTERIORIDAD ARRIBA, Y ESTA GARANTIA EXPRESAMENTE EXCLUYE TODOS LOS DAÑOS INCIDENTALES Y CONSEQUENTES. (Algunos estados no permiten limitaciones sobre la duración de una garantía implícita y algunos estados no permiten la exclusión o limitación de daños incidentales o consecuenciales, de modo que las limitaciones o exclusiones de arriba no puedan aplicarse a Usted. Esta garantía le da derechos legales específicos y usted puede tener otros derechos que varían de jurisdicción en jurisdicción).

ADVERTENCIA: Los usuarios deberán tener cuidado en determinar, en forma individual, antes de usar este dispositivo si éste es adecuado o seguro para el uso que se le quiere dar. Dado que las aplicaciones individuales están sujetas a una gran variedad, el fabricante no garantiza ni establece la adecuación, conveniencia o correctibilidad de su uso para una aplicación específica.

Tripp Lite tiene una política de mejoramiento continuo. Las especificaciones están sujetas a cambio sin previo aviso.

Nota Sobre el Etiquetado

Este símbolo se usa en el producto:  Conexión a Tierra



Guide du propriétaire

Boîtier pour bâti SmartRack® avec une capacité nominale IP54 (NEMA 12)

Modèle: SR42UBEIS

Importantes consignes de sécurité	26
Vue d'ensemble	26
Identification des caractéristiques	27
Installation de l'armoire	28
Préparation	28
Déballage	28
Mise en place	29
Mise à niveau	30
Mise à la terre	30
Connexion d'alimentation c.a.	30
Configuration de l'armoire	31
Poser ou enlever les portes avant et arrière	31
Pose et enlèvement du panneau supérieur	31
Pose et enlèvement des panneaux latéraux	32
Ajustement des profilés de montage et des profilés pour les chemins de câbles	32
Combinaison (assemblage en baie) d'armoires de stockage	33
Nettoyage/remplacement des filtres	34
Installation du boîtier d'accès de câble (facultatif)	34
Installation de l'équipement	35
Installation ou enlèvement des écrous à cage	35
Caractéristiques techniques	36
Entreposage et entretien	36
Garantie	36
English	1
Español	13



1111 W. 35th Street, Chicago, IL 60609 USA • www.tripplite.com/support

Copyright © 2017 Tripp Lite. Toutes les marques de commerce appartiennent à leurs propriétaires respectifs.



CONSERVER CES CONSIGNES

Ce guide contient des instructions et des mises en garde qu'il faut suivre pendant l'installation et l'utilisation des armoires de stockage SmartRack décrites dans ce manuel. Lire attentivement toutes les instructions et les mises en garde avant de déplacer, installer ou utiliser les armoires de stockage SmartRack décrites dans ce manuel. Le non-respect de ces consignes créera un risque de blessure ou de dégâts matériels et pourrait annuler la garantie.

- Maintenir l'armoire dans un environnement intérieur contrôlé, à l'abri de l'humidité, des températures extrêmes, des liquides et des gaz inflammables, de contaminants conducteurs, de la poussière et de la lumière directe du soleil.
- Laisser un espace suffisant à l'avant et à l'arrière de l'armoire pour garantir une bonne circulation d'air. Ne pas bloquer, couvrir ou introduire des objets dans les ouvertures externes de ventilation de l'armoire.
- Cette armoire est très lourde. Faire attention lors de la manutention de l'armoire. Ne pas essayer de la déballer, de la déplacer ou de l'installer sans aide. Utiliser un appareil mécanique comme un chariot élévateur ou une transpalette à main pour déplacer l'armoire dans le conteneur d'expédition.
- Ne poser aucun objet sur l'armoire, en particulier des contenants de liquide, et ne pas essayer d'empiler les armoires.
- Inspecter le conteneur d'expédition et l'armoire pour vérifier si elle a été endommagée lors de l'expédition. Ne pas utiliser l'armoire si elle a été endommagée.
- Laisser l'armoire dans le conteneur d'expédition pour la déplacer aussi près que possible de l'emplacement final de l'installation. Les roulettes ne sont destinées qu'à des ajustements mineurs de position dans l'aire de l'installation finale. Les roulettes ne sont pas conçues pour déplacer l'armoire sur de plus longues distances.
- Installer l'armoire dans une aire à structure solide dont le plancher de niveau est capable de supporter le poids de l'armoire, de tout l'équipement qui sera installé dans l'armoire et des autres armoires et équipements qui seront installés à proximité.
- Ne pas pousser sur les panneaux latéraux de l'armoire pour la déplacer. Procéder ainsi causera un risque de basculement.
- Lors d'un déplacement de l'armoire sur ses roulettes, toujours pousser de l'arrière, ne jamais tirer vers soi.
- Un déplacement sur roulettes mal surveillé de l'armoire peut causer des blessures ou des dégâts matériels. Faire très attention s'il faut faire descendre une rampe d'accès à l'armoire sur roulettes. Ne pas essayer d'utiliser des rampes d'accès avec une pente plus raide que 1 : 12.
- Faire attention lors de la coupe des matériaux d'emballage. L'armoire pourrait être égratignée, entraînant des dommages non couverts par la garantie.
- Conserver tous les matériaux d'emballage pour une future utilisation. Réemballer et expédier l'armoire sans son emballage original pourrait causer des dommages qui annuleraient la garantie.
- Ne pas réexpédier l'armoire avec de l'équipement supplémentaire sauf si elle a été expédiée avec une palette antichoc spéciale (modèles « SP1 » et « SP2 » seulement). Le poids combiné de l'armoire et de l'équipement installé ne doit pas dépasser la capacité de charge de la palette. Tripp Lite n'est pas responsable des dommages ayant lieu durant une réexpédition.
- Il est déconseillé d'utiliser cet équipement dans des applications médicales où une panne de cet équipement pourrait normalement provoquer la panne de l'équipement de survie ou altérer notablement sa sécurité ou son efficacité.

Vue d'ensemble

Les armoires SmartRack peuvent accueillir tout l'équipement pour montage sur bâti de 48 cm (19 po) standard, peu importe le fournisseur, et sont expédiées entièrement assemblées pour un déploiement rapide et facile. Elles sont équipées de cabinets robustes adaptables avec des profondeurs de montage variables, les rendant idéales pour les serveurs. La quincaillerie des bâtis intégrée permet une expansion rentable, méthodique et efficace. Les cabinets incluent des portes et des panneaux latéraux à dégagement rapide pour faciliter l'entretien. Les portes avant et arrière et les panneaux latéraux peuvent être verrouillés.

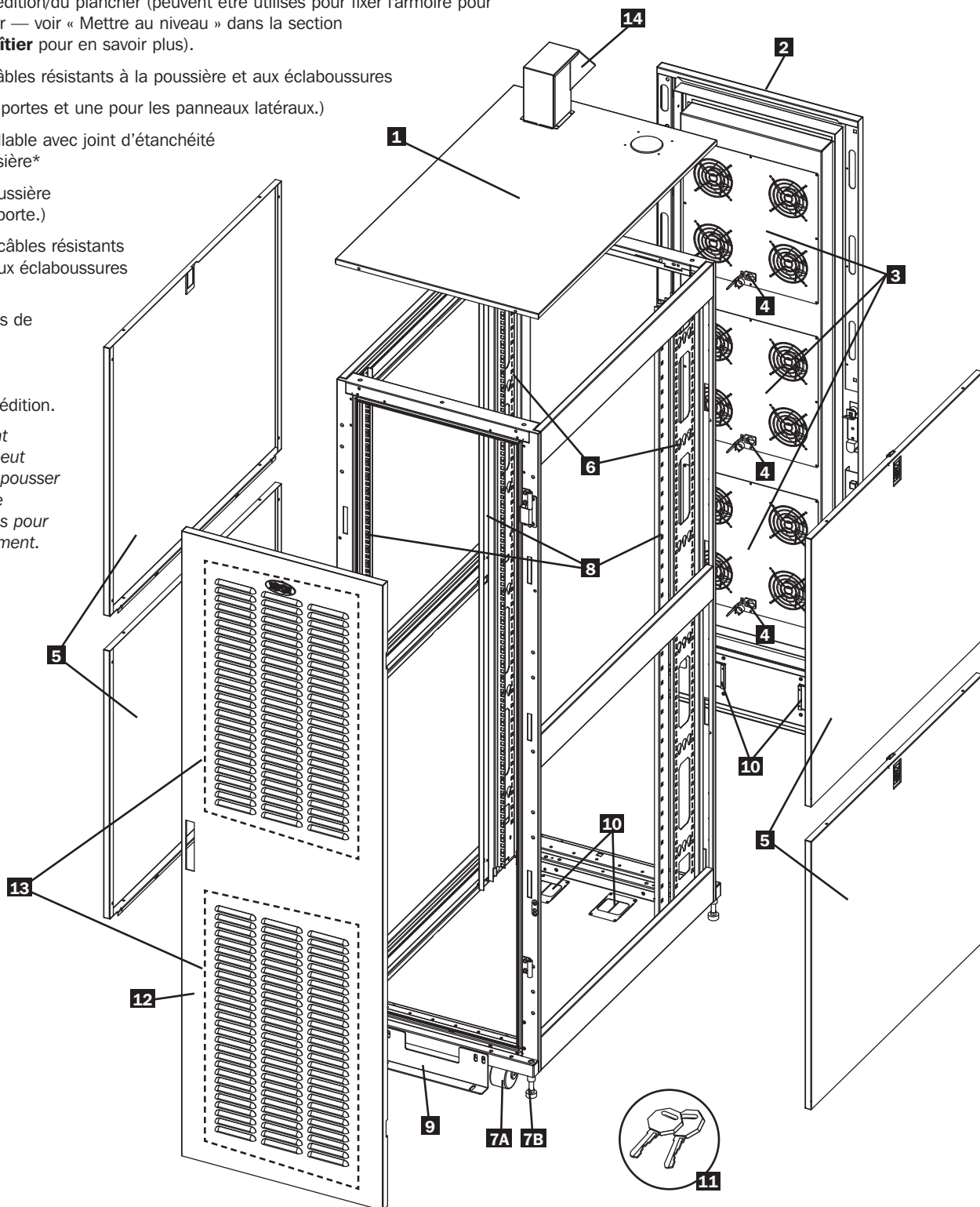
Le SR42UBEIS est classé IP54 (NEMA 12) et est conçu pour être protégé contre la poussière et est résistant aux gouttes et aux éclaboussures. Il est équipé de portes à persiennes à l'avant et à l'arrière avec des garnitures d'étanchéité et des filtres contre la poussière. Les portes se ferment hermétiquement et il peut s'avérer nécessaire de pousser sur la partie supérieure ou inférieure des portes pour les ajuster convenablement. La porte arrière est équipée de 12 ventilateurs dans 3 panneaux de ventilateurs alimentés individuellement, assurant une circulation d'air constante. Un boîtier d'accès de câbles résistant à la poussière et aux éclaboussures en option peut être monté sur l'armoire pour un accès de câbles de toit protégé. L'armoire est également équipée de 4 ports d'accès résistants à la poussière et aux éclaboussures situés sur le plancher et à la porte arrière de l'armoire. Des roulettes industrielles robustes permettent un support à long terme et une capacité de charge stationnaire/de roulement de 1 360 kg (3 000 lb).

Identification des caractéristiques

- 1 Panneau de toit avec chapeau résistant aux éclaboussures
- 2 Porte arrière verrouillable avec joint d'étanchéité résistant à la poussière*
- 3 Panneaux de ventilation
- 4 Entrées en c.a.
- 5 Panneaux latéraux verrouillables
- 6 Profilés pour les chemins de câbles
- 7 Roulettes **A** et vérins de calage **B** industriels robustes
- 8 Profilés de montage (Offrent des points de montage horizontaux et verticaux pour l'équipement.)
- 9 Les supports d'expédition/du plancher (peuvent être utilisés pour fixer l'armoire pour boîtiers au plancher — voir « Mettre au niveau » dans la section **Installation du boîtier** pour en savoir plus).
- 10 Ports d'accès de câbles résistants à la poussière et aux éclaboussures
- 11 Clés (Une pour les portes et une pour les panneaux latéraux.)
- 12 Porte avant verrouillable avec joint d'étanchéité résistant à la poussière*
- 13 Filtres contre la poussière (À l'intérieur de la porte.)
- 14 Boîtier d'accès de câbles résistants à la poussière et aux éclaboussures (en option)

Non illustrés : Éléments de montage, cordons d'alimentation (3), documentation et aux autres matériaux d'expédition.

* Les portes se ferment hermétiquement et il peut s'avérer nécessaire de pousser sur la partie supérieure ou inférieure des portes pour les ajuster convenablement.



Installation de l'armoire



Attention! Lire toutes les instructions et les mises en garde avant l'installation!



MISE EN GARDE : Cette armoire de bâti est très lourde. Ne pas essayer de la déballer, de la déplacer ou de l'installer sans aide. Jusqu'à ce qu'elle soit correctement installée et stabilisée, l'armoire a tendance à basculer et peut causer des dégâts matériels et des blessures. Faire très attention lors de la manutention de l'armoire et veiller à suivre toutes les instructions de manutention et d'installation. Ne pas essayer d'installer de l'équipement sans avoir d'abord stabilisé l'armoire.

Préparation

Il faut installer l'armoire dans une aire à structure solide dont le plancher de niveau est capable de supporter le poids de l'armoire, de tout l'équipement qui sera installé dans l'armoire et des autres armoires et équipements qui seront installés à proximité. Avant de déballer l'armoire, vous devez transporter le conteneur d'expédition à proximité de l'emplacement de l'installation finale pour réduire la distance de déplacement de l'appareil une fois que l'emballage protecteur aura été enlevé. Si vous planifiez d'entreposer l'armoire pendant une période prolongée avant installation, suivre les instructions du chapitre **Entreposage et service**.

Vous aurez besoin de plusieurs outils (fourni par l'utilisateur) :

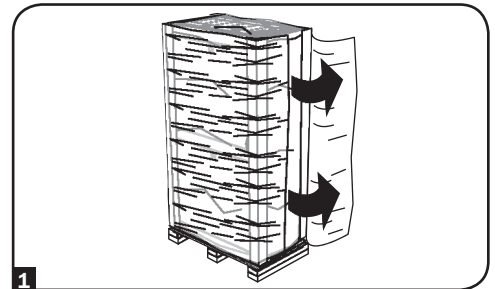
- Une clé ouverte de 13 mm
- Une clé ouverte de 18 mm
- Un couteau universel
- Un niveau de charpentier
- Un tournevis Phillip

Vous aurez aussi besoin de la quincaillerie suivante (fournie) :

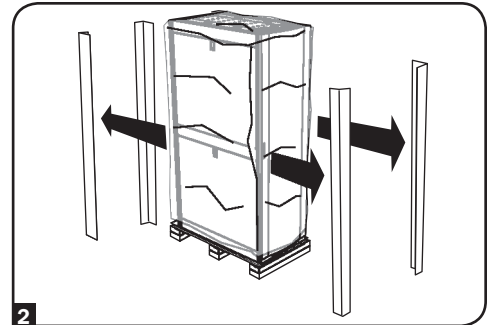
- (50) vis Phillips (M6 x 5/8 po)
- (50) Écrous à cage (M6)
- (50) Rondelles à collerette en nylon

Déballage

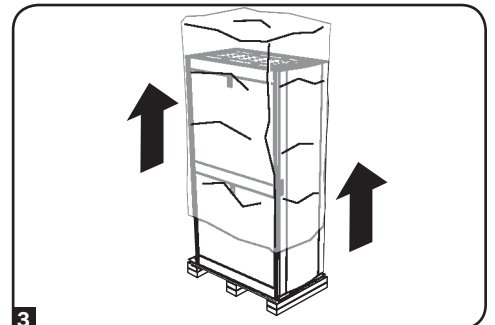
- 1** Vérifier que le conteneur d'expédition est vertical et stable; utiliser ensuite un couteau universel pour couper le film thermorétractable qui retient les cornières de protection. Appliquer le couteau universel directement au-dessus des cornières pour éviter d'égratigner l'armoire ou de couper le solide sac protecteur en plastique sous le film thermorétractable. **MISE EN GARDE : Ne pas égratigner l'armoire ou couper le solide sac protecteur en plastique sous le film thermorétractable. Ne pas pousser ni tirer l'armoire lors du déballage.**



- 2** Retirer les cornières de protection. Conserver tous les matériaux d'emballage (y compris la palette) pour une utilisation ultérieure sauf si vous êtes certain de ne plus en avoir besoin. Les matériaux d'emballage sont recyclables.

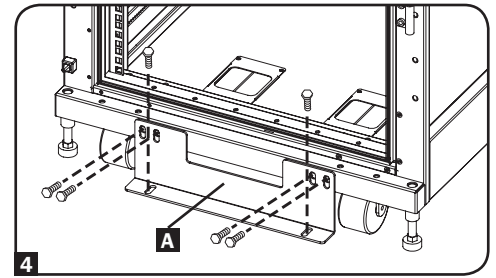


- 3** Retirer le lourd sac de plastique entourant l'armoire. Examiner l'armoire pour vérifier si elle est endommagée ou s'il manque des pièces. Vérifier la présence de toutes les pièces. Si quoi que ce soit manque ou est endommagé, communiquer avec Tripp Lite pour de l'aide. Ne pas essayer d'utiliser l'armoire si elle a été endommagée.

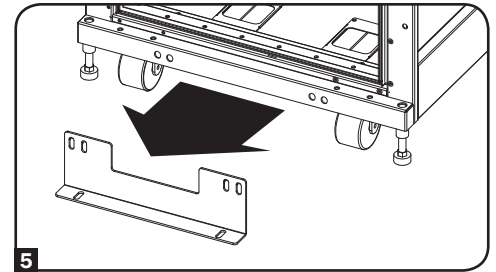


Installation de l'armoire

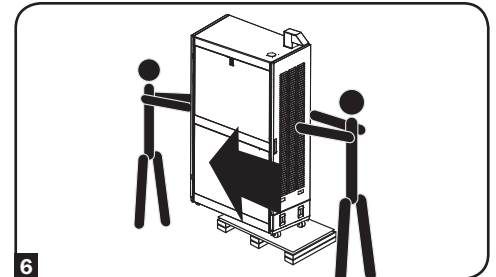
4 Repérer les deux pattes de fixation **A** qui retiennent l'armoire à la palette d'expédition.



5 Utiliser la clé ouverte de 13 mm pour retirer les pattes de fixation. Faire preuve d'extrême prudence, car l'armoire peut bouger accidentellement après le retrait des pattes. Conserver les pattes de fixation et leur visserie pour une utilisation ultérieure.

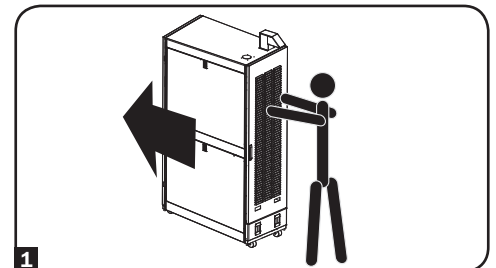


6 Placer au moins une personne à l'avant et une autre à l'arrière de l'armoire. Pousser lentement l'armoire vers l'arrière de la palette d'expédition jusqu'à ce que les quatre roulettes passent le bord de la palette et touchent le sol. **MISE EN GARDE : Avoir au moins l'aide d'un assistant lorsque l'armoire est retirée de la palette. Faire extrêmement attention en déplaçant l'armoire.**



Mise en place

1 Déplacer l'armoire sur ses roulettes sur une courte distance sur une surface horizontale, lisse et stable en la poussant par l'avant ou par l'arrière (pas par les panneaux latéraux). Ne pas essayer de déplacer l'armoire sur de longues distances. Il faut déplacer l'armoire près de l'emplacement de son installation dans le conteneur d'expédition avant de la déballer. (Utiliser un chariot élévateur ou une transpalette à main pour déplacer le conteneur d'expédition.). **MISE EN GARDE : Ne pas se servir des panneaux latéraux pour pousser ou tirer l'armoire et ne pas la tirer vers soi.**

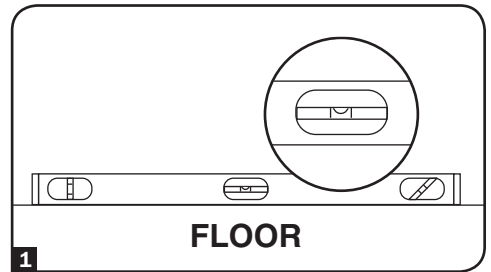


Installation de l'armoire

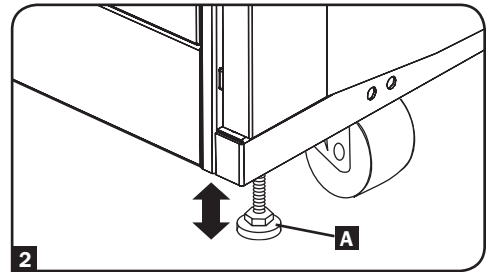
Mise à niveau

MISE EN GARDE : Mettre l'armoire à niveau avant d'installer l'équipement. Les roulettes ne sont pas conçues pour servir de support à long terme à l'armoire après l'installation finale. Utiliser les vérins de calage pour servir de support à long terme. Installer l'armoire dans une aire à structure solide dont le plancher de niveau est capable de supporter le poids de l'armoire, de tout l'équipement qui sera installé dans l'armoire et des autres armoires et équipements qui seront installés à proximité.

1 Une fois que l'armoire a été déplacée sur son emplacement d'installation, utiliser un niveau pour vérifier la pente du plancher. Si la pente est de plus de 1 %, choisir un autre site pour l'installation.



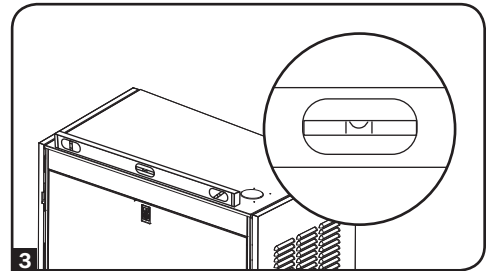
2 À l'aide de la clé ouverte de 13 mm, abaisser chaque vérin de calage **A** jusqu'à ce qu'il touche le sol. (Il y a quatre vérins, 2 à l'avant et 2 à l'arrière.) Veiller à ce que chaque vérin repose solidement sur le plancher.



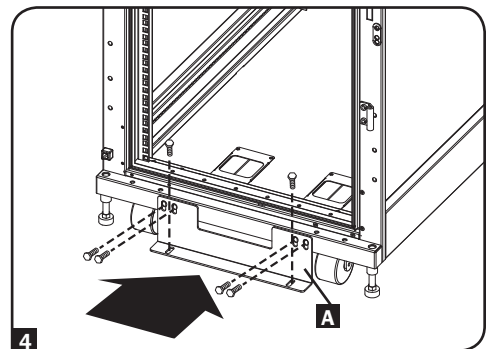
Remarque :

1. Abaisser un vérin en le tournant dans le sens horaire; soulever un vérin en le tournant dans le sens antihoraire.
2. Les portes peuvent être endommagées si les vérins de calage sont trop escamotés.

3 Après avoir abaissé chaque vérin de calage, vérifier à l'aide du niveau que l'armoire est de niveau dans toutes les directions. Ajuster les vérins jusqu'à ce que l'armoire soit de niveau.

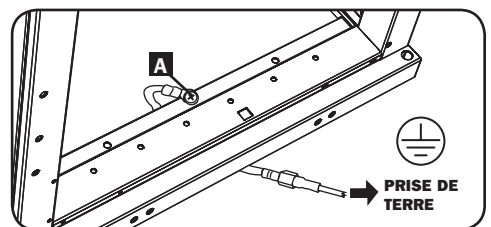


4 (Optionnel) Pour fournir une stabilité supplémentaire, les supports d'expédition enlevés dans la section « Déballage » peuvent être fixés en utilisant la quincaillerie qui retenait le boîtier à la palette d'expédition. À l'aide de la clé ouverte de 13 mm, raccorder les pattes de fixation aux points de montage extérieurs **A** de l'armoire. Puis utiliser les pattes de fixation pour fixer ces points dans le plancher à l'aide de quincaillerie fournie par l'utilisateur ou du kit de boulonnage au sol SmartRack de Tripp Lite (modèle : SRBOLTDOWN)



Mise à la terre

Toutes les pièces de l'armoire sont mises à la masse à son bâti. Utiliser le point fileté avant ou arrière de mise à la terre **A** et une vis M6 (incluse) pour connecter le bâti de l'armoire directement à la prise de terre de votre installation avec un fil de calibre 8 AWG (3,264 mm). Faire passer le fil de mise à la terre sous le bâti de l'armoire afin que les portes puissent s'ouvrir. **MISE EN GARDE : Relier chaque armoire séparément à une prise de terre. Ne pas utiliser d'armoire sans prise de terre.**



Entrées en c.a.

Pour alimenter les ventilateurs, vous devrez brancher chaque panneau de ventilateur à une source d'alimentation c.a. Chaque milieu de panneau de ventilateur est muni d'une entrée C14. Utilisez les cordons d'alimentation (3) C13 à NEMA 5-15P pour connecter chaque panneau de ventilateur à une source d'alimentation c.a. de 120 V.

Configuration de l'armoire

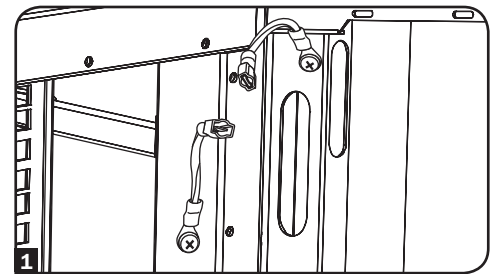
Poser ou enlever les portes avant et arrière

MISE EN GARDE : Ne pas essayer de poser ou d'enlever les portes sans aide.

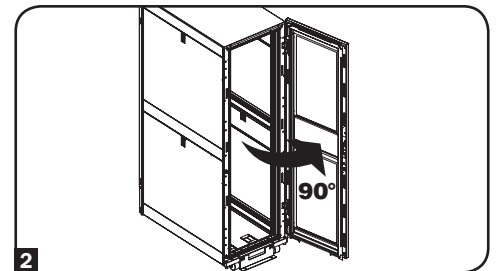
Remarque : Les portes se ferment hermétiquement et il peut s'avérer nécessaire de pousser sur la partie supérieure ou inférieure des portes pour les ajuster convenablement.

Enlèvement d'une porte

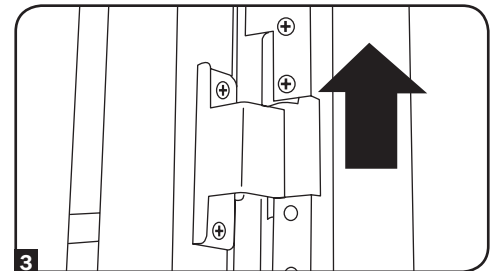
1 Déconnecter le fil de mise à la terre de la porte.



2 Ouvrir la porte perpendiculairement (90 degrés) à l'avant de l'armoire.



3 Sortir la porte de ses charnières en la soulevant et l'enlever de l'armoire.



Pour reposer la porte, inverser les étapes 1 à 3

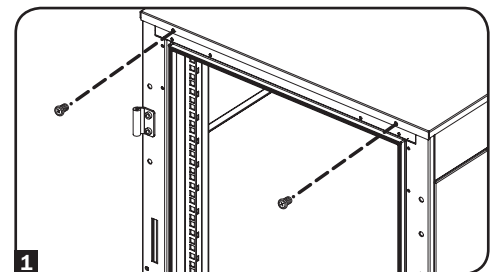
(facultatif) Si l'armoire est fixée à une autre, retourner la porte vers l'armoire quand vous la sortez de ses charnières.

Pose et enlèvement du panneau supérieur

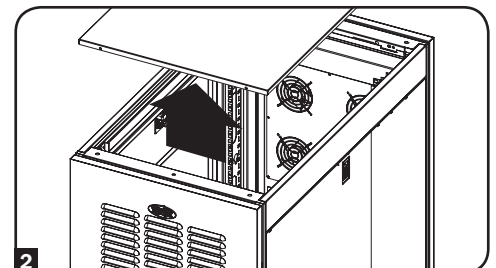
MISE EN GARDE : Ne pas essayer d'utiliser le panneau supérieur à des fins de support de poids autre que ceux explicitement décrits et approuvés par Tripp Lite. Ne pas essayer de poser ou d'enlever le panneau supérieur sans aide.

Enlèvement du panneau supérieur

1 Enlevez les 4 vis (2 à l'avant, 2 à l'arrière) qui relient le panneau de toit à l'unité.



2 Soulever le panneau hors de l'armoire.



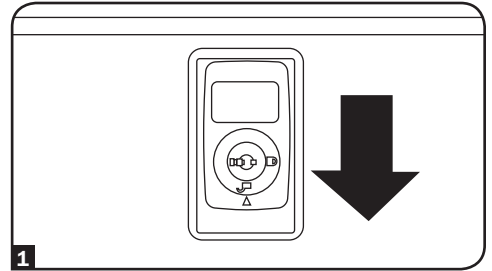
Pour réinstaller le panneau de toit, effectuez ces étapes dans le sens inverse.

Configuration de l'armoire

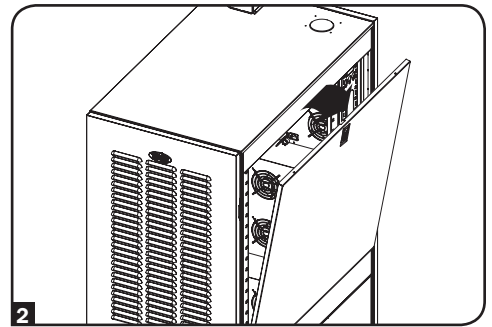
Pose et enlèvement des panneaux latéraux

Enlèvement d'un panneau latéral

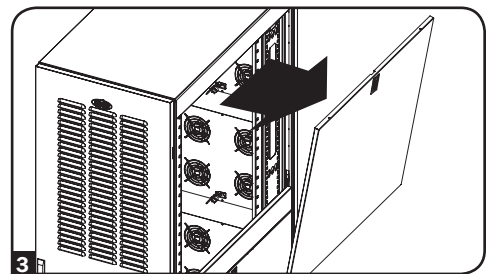
1 Ouvrir le loquet en le faisant glisser vers le bas.



2 Incliner le sommet du panneau vers l'extérieur de l'armoire.



3 Soulever le panneau hors de l'entretoise qui le supporte.



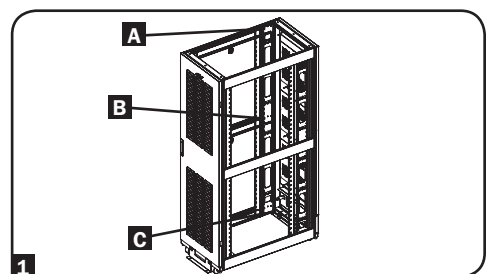
Pour reposer le panneau latéral, inverser les étapes 1 à 3

Ajustement des profilés de montage et des profilés pour les chemins de câbles

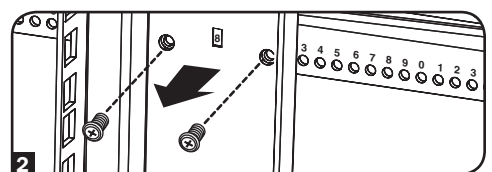
MISE EN GARDE : Ne pas essayer d'ajuster les profilés sans aide. Ne pas essayer d'ajuster les profilés pendant l'installation de l'équipement dans l'armoire. Ne pas essayer d'utiliser les profilés sans que les vis soient posées (6 par rail).

Les 4 profilés de montage sont préinstallés pour permettre l'installation de l'équipement dans une profondeur de 762 mm (30 po). Ne pas ajuster les profilés de montage sauf si votre équipement nécessite une profondeur différente. Les jeux de profilés avant et arrière peuvent être ajustés indépendamment par incréments de 6 mm ($\frac{1}{4}$ po) pour des profondeurs entre 101,6 mm (4 po) et 1066,8 mm (42 po).

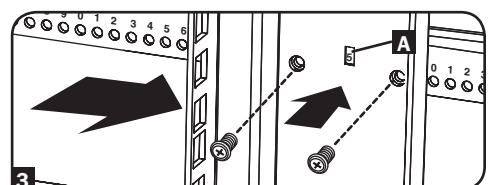
1 Chaque profilé est fixé à l'armoire par 6 vis - deux sur le profilé supérieur **A**, 2 sur le profilé central **B** et 2 sur le profilé inférieur **C**.



2 Retirer les vis fixant chacun des profilés de montage arrière à l'armoire. (Si l'ajustement des profilés avant est nécessaire, vous pouvez aussi retirer les vis de ceux-ci.)



3 Faire glisser les profilés de montage à la profondeur désirée et les fixer à nouveau à l'aide des vis retirées à l'étape 2. Les points de fixation des profilés sont numérotés **A** pour vous aider à aligner chaque paire de profilés à la même profondeur.



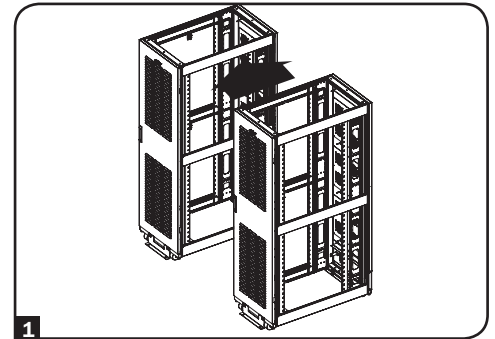
La même méthode permet d'ajuster la profondeur des 2 profilés pour les chemins de câbles.

Configuration de l'armoire

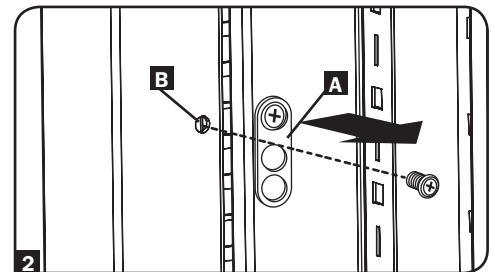
Combinaison (Assemblage en baie) d'armoires de stockage

MISE EN GARDE : La combinaison d'armoires n'est pas un substitut à leur stabilisation. Chaque armoire dans une baie d'armoires combinées exige les mêmes mesures de stabilisation qu'une armoire autonome.

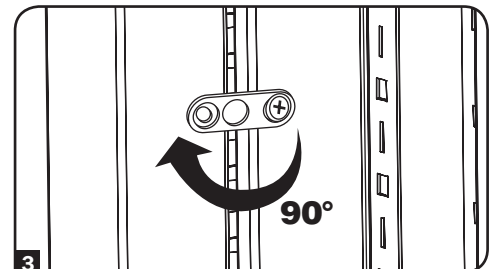
1 Disposer les armoires dans la bonne position pour l'assemblage en baie.



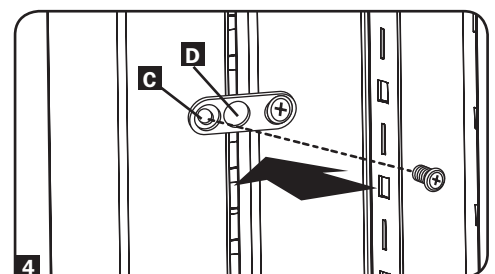
2 Chaque armoire comprend 4 pattes d'assemblage **A** correspondant à des points d'assemblage **B** sur l'armoire attenante. Les points d'assemblage contiennent déjà des vis. Retirer la vis de chaque point d'assemblage sur l'armoire attenante.



3 Desserrer la vis de chaque patte d'assemblage et tourner celle-ci à 90 degrés vers l'armoire attenante, en l'alignant avec le point d'assemblage correspondant de cette armoire.



4 Raccorder chaque patte à l'armoire attenante à l'aide des vis retirées à l'étape 2, mais ne pas serrer les vis à fond. Ajuster la position des armoires comme désiré. Si vous désirez que les armoires soient à 61 cm (24 po)/29,9 po (76 cm) pour le SR42UBWD, centre à centre, utiliser le trou extérieur de la patte **C**. Si vous désirez que les armoires soient à 60 cm (23,6 po)/75 cm (29,5 po) pour le SR42UBWD, centre à centre, utiliser le trou du milieu de la patte **D**. Après avoir raccordé toutes les pattes et vérifier que les armoires n'ont pas besoin de plus d'ajustement, serrer toutes les vis.



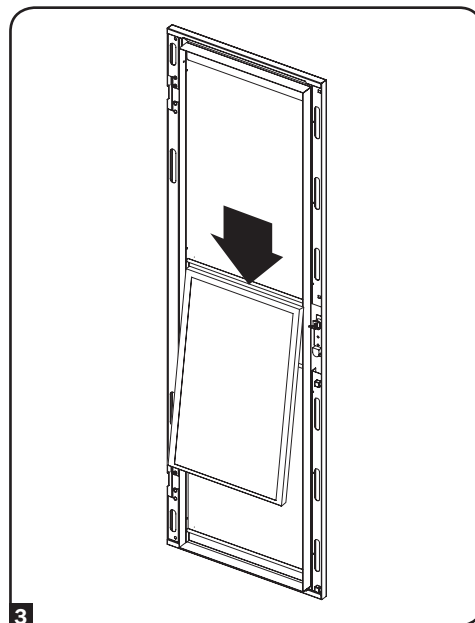
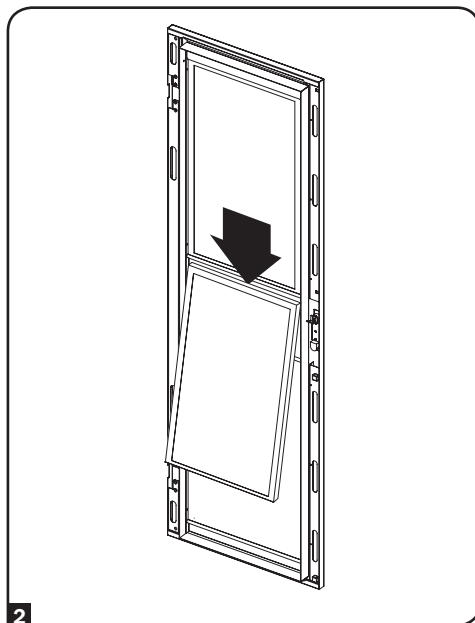
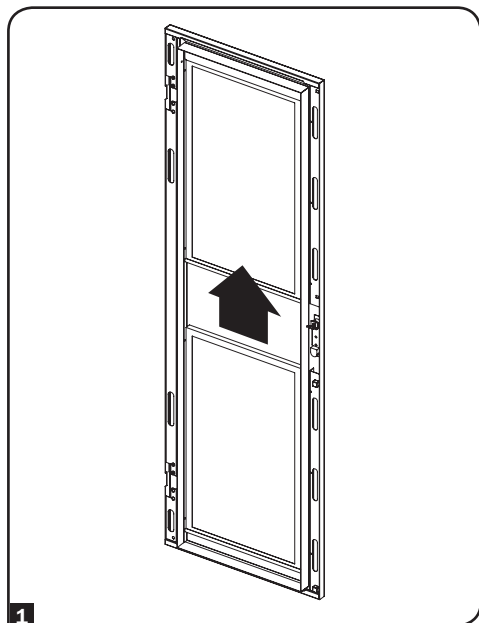
Remarque : Vous pouvez enlever les portes avant de combiner les armoires. La réinstallation des portes est facultative. Retirer les panneaux latéraux intérieurs avant d'assembler les armoires en baie si vous désirez avoir un accès entre les armoires.

Configuration de l'armoire

Nettoyage/remplacement des filtres

Le SR42UBEIS utilise des filtres standards de 18 po x 30 po que l'on retrouve dans la plupart des magasins de rénovation. Pour enlever les filtres afin de les nettoyer ou de les remplacer :

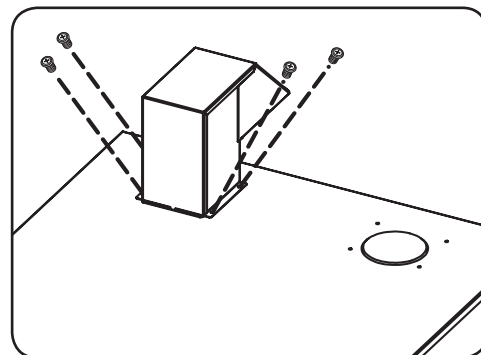
- 1** Faire glisser le filtre vers le haut dans la fente supérieure du filtre de façon à ce que la partie inférieure du filtre se trouve au-dessus de la fente inférieure du filtre.
- 2** Éloigner le filtre de la porte jusqu'à ce qu'il dépasse la fente inférieure du filtre.
- 3** Tirez le filtre vers le bas hors de la fente supérieure du filtre.



Installation du boîtier d'accès de câble (facultatif)

Le SR42UBEIS est fourni avec un boîtier de port d'accès de câbles en option pour un accès de câbles résistant aux éclaboussures dans la partie supérieure de l'unité. Pour installer cet accessoire, veuillez suivre les directives suivantes :

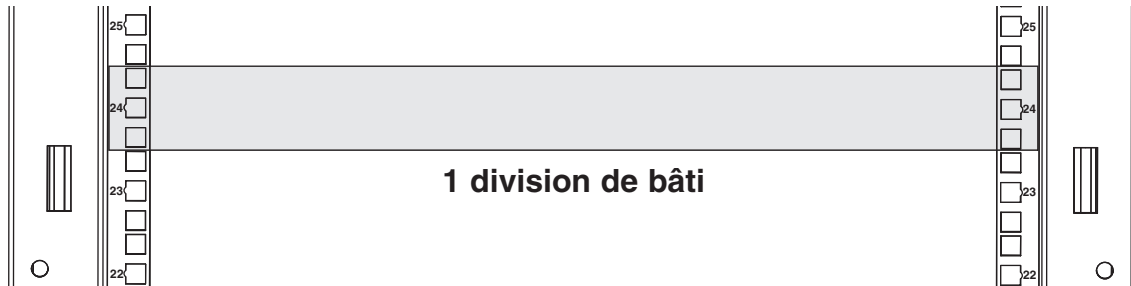
- 1** Enlevez un des bouchons d'étanchéité en caoutchouc de la partie supérieure arrière de l'armoire en le poussant à partir de l'intérieur de l'unité.
- 2** Montez le boîtier d'accès de câbles en utilisant les vis de mécanique à tête cylindrique large M4 x 8 mm incluses et les rondelles dentées (4 de chaque). Vissez les vis dans chacun des trous filetés.



Installation de l'équipement

MISE EN GARDE : Ne pas installer d'équipement avant d'avoir stabilisé l'armoire. Installer d'abord l'équipement lourd et à la base de l'armoire. Installer l'équipement en commençant à la base de l'armoire vers son sommet - jamais l'inverse. Si vous utilisez des rails glissières, faire attention lors de l'extension des rails. Ne pas ouvrir plus d'un jeu de rails glissières en même temps. Éviter d'ouvrir un jeu de rails glissières près du sommet de l'armoire.

Remarque : Les trous carrés au milieu de chaque division de bâti sont numérotés et disposent aussi d'une petite encoche pour aider à l'identification. Une seule division de bâti comprend l'espace occupé par le trou numéroté et les trous immédiatement au dessus et au dessous.



Installation ou enlèvement des écrous à cage

MISE EN GARDE : Les brides des écrous à cage doivent s'encaster dans les côtés de l'ouverture carrée dans le rail, pas au sommet ni à la base. Suivre les instructions de la documentation de votre équipement pour garantir sa bonne installation.

Installation des écrous à cage

- 1 Repérer les ouvertures carrées numérotées dans les profilés de montage où vous planifiez d'installer votre équipement. Vous poserez des écrous à cage (fournis) dans les ouvertures carrées afin de fournir un point de fixation pour les vis de montage (fournies).

Remarque : Consulter la documentation de votre équipement pour savoir combien d'écrous à cage seront nécessaires et où ils devront être installés.

- 2 Depuis l'intérieur du profilé de montage, introduire une des brides de l'écrou à cage dans l'ouverture carrée. Appuyer la bride contre le côté de l'ouverture. Chaque bride doit s'encaster dans un des côtés de l'ouverture, pas au sommet ni à la base.

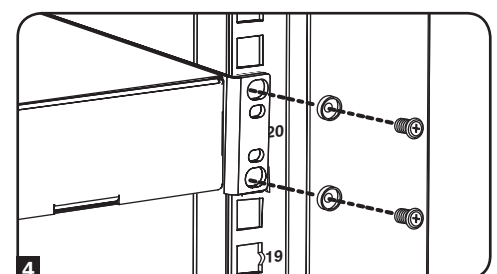
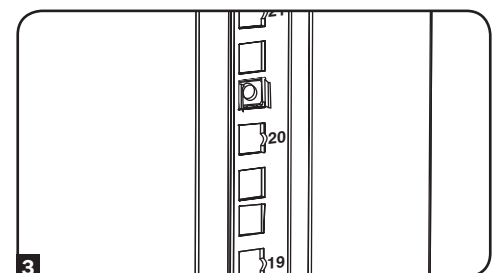
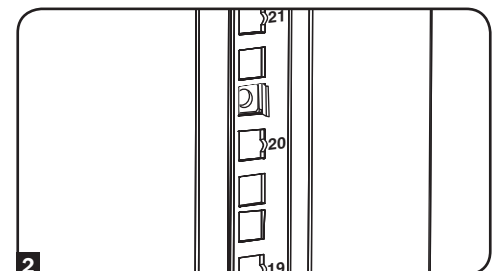
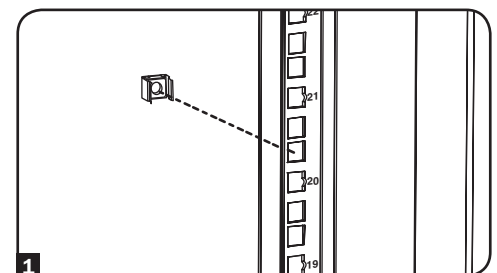
- 3 Comprimer légèrement les côtés de l'écrou à cage pour permettre à l'autre bride de s'engager dans l'ouverture. Quand l'écrou à cage est correctement posé, les deux brides vont dépasser de l'ouverture carrée et seront visibles à la surface extérieure du profilé de montage. Répéter les étapes 1 à 3 jusqu'à ce que tous les écrous à cage nécessaires soient posés.

- 4 Après la pose des écrous à cage, utiliser les vis de montage et les rondelles à collerette pour fixer l'équipement au profilé du bâti. Placer les rondelles à collerette entre les vis et les pattes de fixation de l'équipement.

Remarque : La quincaillerie de fixation peut aussi être jointe à votre équipement. Lire les instructions de montage jointes à votre équipement avant d'installer celui-ci.

Pour enlever les écrous à cage, inverser les étapes 1 à 3

Remarque : Vous pouvez utiliser un outil pour écrou à cage (fourni par l'utilisateur) afin d'aider à la pose et à l'enlèvement des écrous.



Caractéristiques techniques

Modèle	Capacité de charge		Dimensions de l'appareil				Dimensions à l'expédition			
	Statique	Sur roue	Hauteur	Largeur	Profondeur	Poids	Hauteur	Largeur	Profondeur	Poids
SR42UBEIS	1361 kg (3000 lb.)	1361 kg (3000 lb.)	2063 mm (79,8 po)	600 mm (23,63 po)	1092 mm (43 po)	141 kg (310 lb.)	2197 mm (86,5 po)	660 mm (26 po)	1143 mm (45 po)	160 kg (352 lb.)

Entreposage et entretien

Entreposage

Cette armoire doit être entreposer dans un environnement intérieur contrôlé, à l'abri de l'humidité, des températures extrêmes, des liquides et des gaz inflammables, de contaminants conducteurs, de la poussière et de la lumière directe du soleil. Entreposer l'armoire dans son conteneur d'expédition original si possible.

Entretien

Votre produit Tripp Lite est couvert par la garantie décrite dans ce manuel. Une variété de garantie prolongées et de programmes de service sur place sont également disponibles chez Tripp Lite. Pour plus de renseignements sur le service, visitez www.tripplite.com/support. Avant de retourner votre produit pour entretien ou réparation, suivez les étapes suivantes :

1. Relisez les directives d'installation et de fonctionnement de ce manuel afin de vous assurer que le problème n'a pas pour origine une mauvaise lecture des directives.
2. Si le problème persiste, ne pas communiquer ou renvoyer le produit au vendeur. À la place, visitez www.tripplite.com/support.
3. Si le problème nécessite une réparation, visitez www.tripplite.com/support et cliquez sur le lien Product Returns (retour du produit). De cet endroit, vous pouvez demander un numéro d'autorisation de retour de matériel (RMA) qui est exigé pour une réparation. Ce formulaire en ligne simple vous demandera le numéro de modèle et le numéro de série de votre unité ainsi que d'autres renseignements généraux concernant l'acheteur. Le numéro RMA, ainsi que les instructions concernant le transport vous seront acheminées par courriel. Tout dommage (direct, indirect, spécial ou fortuit) survenu au produit pendant le transport à Tripp Lite ou à un centre de service autorisé Tripp Lite est exclu de la garanti. Les produits expédiés à Tripp Lite ou à un centre de service autorisé doivent être prépayés. Inscrivez le numéro RMA sur le paquet. Si le produit est encore couvert par la garantie de deux ans, joindre une copie de votre facture d'achat. Retourner le produit pour réparation par un transporteur assuré à l'adresse qui vous a été donnée lorsque vous avez demandé le RMA

Garantie

Garantie limitée de 2 ans.


Le vendeur garantit que, s'il a été utilisé selon les directives applicables, ce produit est exempt de tout défaut initial de matériel et de fabrication pendant une période de 2 ans à dater de l'achat initial. Si le produit s'avère défectueux sur le plan matériel ou de la fabrication durant cette période, le vendeur le réparera ou le remplacera, gratuitement.

CETTE GARANTIE NE S'APPLIQUE PAS À L'USURE NORMALE OU AUX DOMMAGES DUS À UN ACCIDENT, UNE MAUVAISE UTILISATION, UN ABUS OU UNE NÉGLIGENCE. LE VENDEUR N'ACCORDE AUCUNE GARANTIE EXPRESSE AUTRE QUE CELLE CONTENUE DANS LES DISPOSITIONS CI-DESSUS. SAUF DISPOSITIONS CONTRAIRES PRÉVUES PAR LA LOI, TOUTES LES GARANTIES IMPLICITES, Y COMPRIS LES GARANTIES DE QUALITÉ COMMERCIALE ET D'ADAPTATION À UN USAGE PARTICULIER, SONT LIMITÉES À LA PÉRIODE DE GARANTIE PRÉCITÉE. CETTE GARANTIE EXCLUT EXPRESSÉMENT LES DOMMAGES ACCESSOIRES ET INDIRECTS. (Certains états n'autorisent pas les restrictions de la durée d'une garantie implicite et d'autres n'autorisent pas l'exclusion ni la restriction des dommages accessoires ou indirects, de sorte que ces restrictions ou exclusions pourraient ne pas s'appliquer à vous. Cette garantie vous donne des droits légaux spécifiques et vous pouvez aussi posséder d'autres droits qui varient d'une juridiction à l'autre.)

MISE EN GARDE : L'utilisateur individuel doit prendre soin de déterminer avant l'usage si cet appareil est convenable, adéquat et sûr pour l'usage prévu. Étant donné que les applications individuelles varient énormément, le fabricant ne fait aucune déclaration, ni ne donne aucune garantie quant à la convenance de ces appareils à une application particulière.

La politique de Tripp Lite est celle d'une amélioration continue. Les spécifications peuvent être modifiées sans préavis.

Note sur l'étiquetage

Ce symbole est utilisé sur le produit :  Mise à la terre

