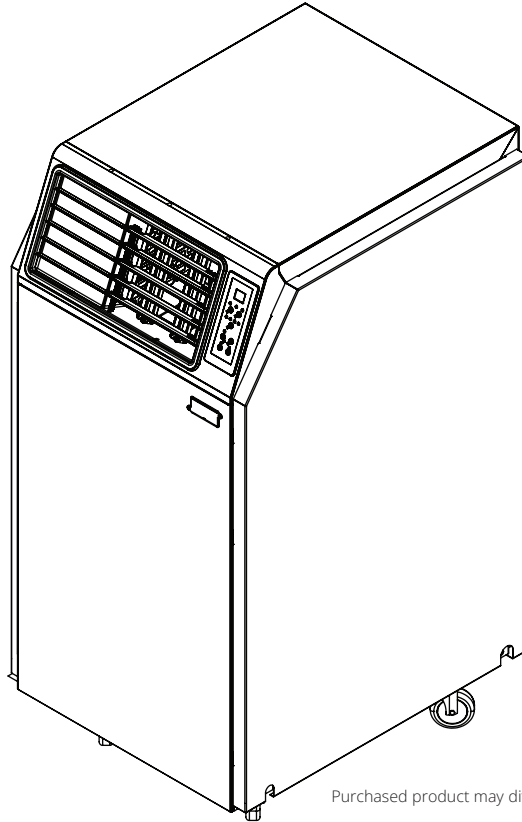


Portable Air Conditioning Unit

SRCOOL24KE
Series Number: AG-07FE
(208-240V, 60Hz)



Purchased product may differ from image.

Español	20
Français	39



PRODUCT REGISTRATION

Register your product today for a chance to win an ISOBAR® surge protector in our monthly drawing!

Tripplite.Eaton.com/warranty



Introduction

The self-contained Portable Air Conditioning Unit provides 24000 BTU/hr. ASHRE (16000 BTU/hr. SACC/DOE) of supplemental cooling (see product nameplate for reference). Designed for IT environments, it is ideal for cooling overheated rack enclosures, IT equipment hot spots and network closets without access to facility air conditioning. The Portable Air Conditioning Unit can focus cool air through its flexible cooling duct or cool a small room through its louvered vent. It also filters and dehumidifies air to improve operating conditions and equipment reliability. Condensate is re-evaporated for drip-free operation, so you won't waste time emptying water collection tanks. The self-contained design does not require any plumbing or special circuits, so setup is quick and easy.

Environmental Standards Compliance

The SRCOOL24KE portable air conditioner utilizes R32 refrigerant, a next-generation solution designed to meet the latest environmental standards. R32 has a significantly lower global warming potential (GWP) compared to traditional refrigerants like R-410A, which helps reduce the overall impact on climate change. By adopting R32, the SRCOOL24KE aligns with international efforts aimed at phasing down high-GWP refrigerants. This not only supports global initiatives to combat greenhouse warming, but also ensures compliance with current and upcoming regulations set by the U.S. Environmental Protection Agency (EPA), the State of California and Canada.

Additionally, the SRCOOL24KE meets the latest standards for the Department of Energy (DoE), California Energy Commission (CEC) and Natural Resources Canada (NRCAN) for portable air-conditioning units, ensuring energy efficiency and compliance with the environmental standards.

Important Safety Instructions



SAVE THESE INSTRUCTIONS

This manual contains instructions and warnings that should be followed during the installation, operation and storage of this product. Failure to heed these warnings may affect your warranty.

Specific Information Regarding Appliances with R32 Refrigerant Gas

- When defrosting and cleaning the appliance, do not use any tools other than those recommended by the distributor.
- The appliance must be placed in an area without any continuous sources of ignition (for example: open flames, gas or electrical appliances in operation).
- Do not puncture and do not burn.
- If the appliance is installed, operated or stored in an unventilated area, the room must be designed to prevent to the accumulation of refrigerant leaks resulting in a risk of fire or explosion due to ignition of the refrigerant caused by electric heaters, stoves or other sources of ignition.
- The appliance must be stored in such a way as to prevent mechanical failure.
- Individuals who operate or work on the refrigerant circuit must have the appropriate certification issued by an accredited organization that ensures competence in handling refrigerants according to a specific evaluation recognized by associations in the industry.
- Repairs must be performed based on the recommendation from the distributor. Maintenance and repairs that require the assistance of other qualified personnel must be performed under the supervision of an individual specified in the use of flammable refrigerants.
- Ducts connected to an appliance shall not contain a potential ignition source.

General Safety Instruction

- The appliance is for indoor use only.
- Do not use the unit on an outlet under repairs or not installed properly.
- Do not use the unit near:
 - A source of fire.
 - An area where oil is likely to splash.
 - An area exposed to direct sunlight.
 - An area where water is likely to splash.
- All air conditioner outlets must comply with the local electric safety requirements. If necessary, please check for the requirements.
- Only those who are properly trained or qualified to use this device should do so. Anyone who is not trained or qualified should not use this device unless it is under the supervision of someone who is properly trained or qualified to do so.
- Children must be supervised to ensure that they do not use the device as a toy.
- Use of this equipment in life support applications where failure of this equipment can reasonably be expected to cause the failure of the life support equipment or to significantly affect its safety or effectiveness is not recommended.
- Never use the device if the cord and plug are damaged. If it is not working properly or if it has been dropped or damaged, take it to an authorized service center for inspection and repair.
- Do not pull, deform or modify the power supply cord or immerse it in water. Pulling or misuse of the power supply cord can result in damage to the unit and cause electrical shock.
- If the power cord is damaged, it must be replaced by the manufacturer, its authorized service agent or qualified personnel in order to avoid a danger.
- The appliance shall be installed in accordance with national wiring regulations.
- Contact an authorized service technician for repair or maintenance of this unit.
- The individual user should determine prior to use whether this device is suitable, adequate or safe for the use intended. Since individual applications are subject to great variation, the manufacturer makes no representation or warranty as to the suitability or fitness of this device for any specific application.
- Install the unit indoors, away from extreme temperatures or humidity, direct sunlight, dust and conductive contaminants.
- Leave adequate space around the unit for ventilation, with rear and vented sides not less than 20 inches (51 cm) from walls or other obstacles.
- Install the unit on a flat surface with a gradient no more than 10°.
- Connect the unit directly to a grounded AC power outlet. Failure to do so may cause an electric shock or fire.
- Check that cabling will not be subject to wear, corrosion, excessive pressure, vibration, sharp edges or any other adverse environmental effects. The check shall also take into account the effects of aging or continual vibration from sources such as compressors or fans.

Important Safety Instructions

- This unit is designed to supply supplemental cooling for localized hot spots.
- The power supply for the unit must be rated in accordance with the unit's nameplate.
- Do not modify the plug nor use an adapter that would eliminate the ground connection.
- Do not use an extension cord to connect the unit to an AC outlet. Use only the power cord that came with the unit.
- Comply with all applicable wiring and safety regulations, such as National Electrical Code (NEC) in the United States.
- Do not plug additional equipment into the outlet where the unit is plugged in. Overloading the outlet may cause an electric shock or fire.
- Do not attempt to turn the unit on or off by connecting or disconnecting the AC plug. A serious electric shock may occur. Use the ON/OFF button to turn the unit on or off.
- Turn the unit off and unplug it from the AC outlet before performing maintenance.
- Before connecting the unit to a dedicated drainage system, turn it off and unplug it. There is a risk of electric shock while the unit is plugged in.
- Do not use thinners, alcohol, detergents or abrasive brushes to clean the unit's cabinet. These items may damage the cabinet.
- Do not pour water over the unit. This may cause an electric shock and damage the unit.
- Do not operate the unit without the air filter. This may cause dust accumulation that may damage the unit.
- Do not attempt to operate the unit in a room with inadequate air circulation. Provide makeup air in accordance with applicable building codes.
- Do not place objects on top of the unit.
- Do not operate your air conditioner in a wet room, such as a bathroom or laundry room.
- The applicable operating temperature range for this unit is 62°F - 95°F (17°C - 35°C).

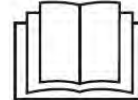


Refrigerant
Safety Group
A2L

Appliance
filled with
flammable
gas R32.



Before installing the
appliance, read this
manual first.

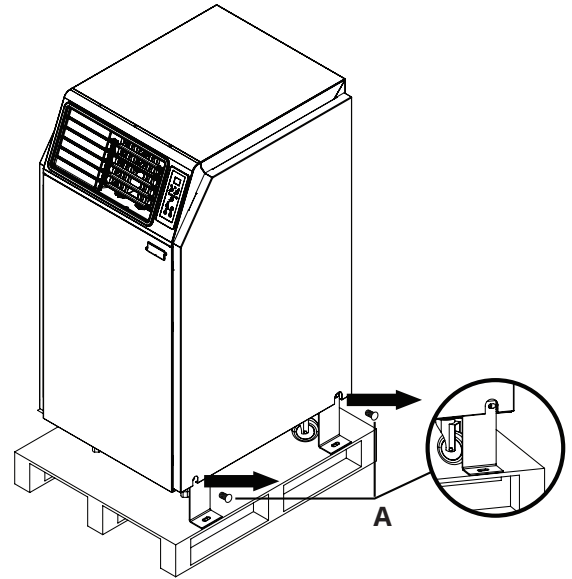


Before using the
appliance, read the
owner's manual first.

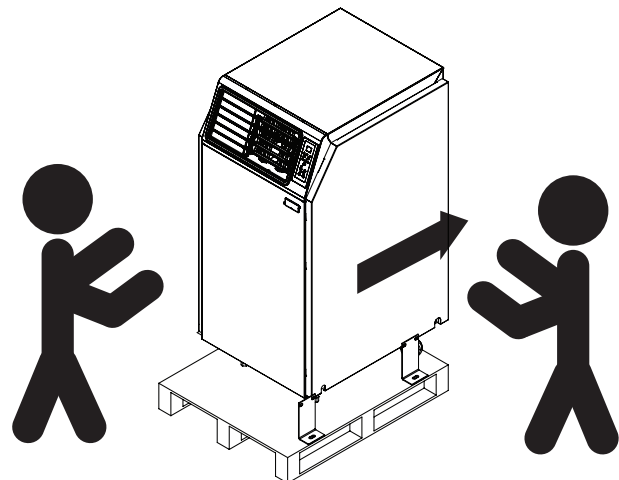
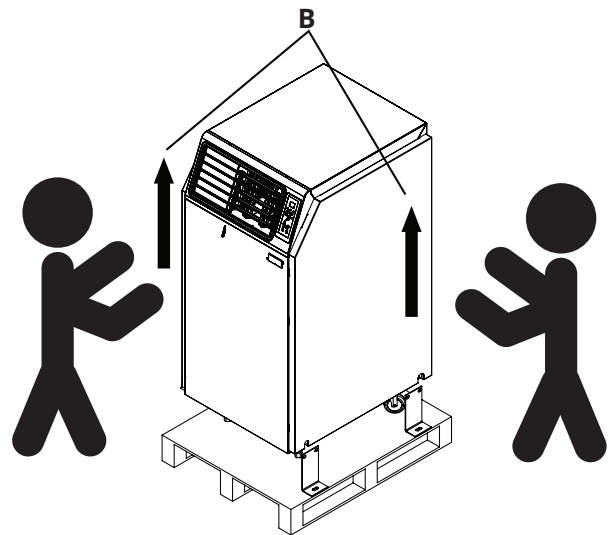
Unpacking

Note: Make sure the unit and attached pallet are placed on a level surface before unpacking.

- After removing all the protective coverings, wrapping, foam insulation and other packing materials, use a suitable wrench to take off the bolts from the shipping brackets **A** that secure the unit to the pallet.
- With the help of two people, lift the unit **B** slightly to make it easier to detach it from the bracket **A**.
- Unlock the two lockable casters at the bottom.
- Make sure there is at least one person on each side of the unit. Slowly push it toward the back of the shipping pallet until all four casters roll over the edge and touch the floor.



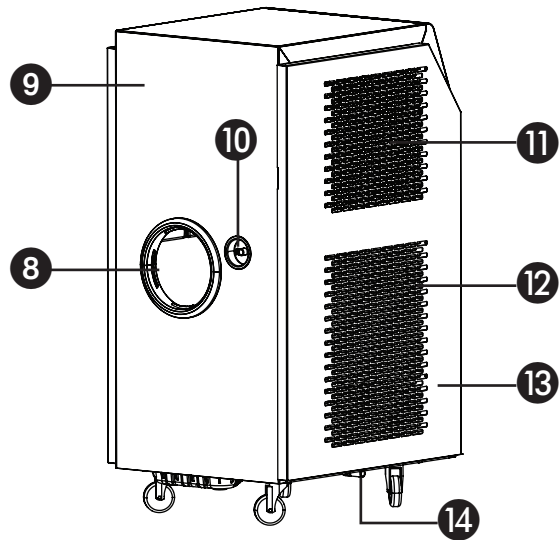
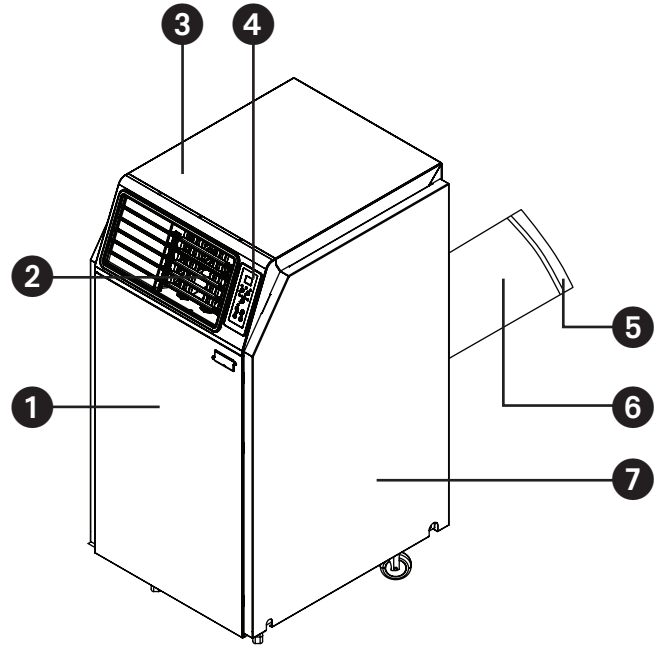
WARNING: Always have at least two people when lifting or removing the unit from the pallet.



Features

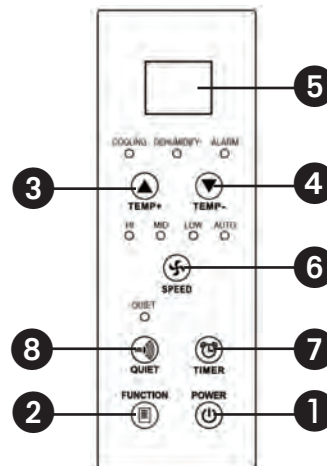
Front/Rear View

- 1 Front Panel
- 2 Cool air outlet (air louver can be manually adjusted to direct airflow from upward to downward)
- 3 Top panel
- 4 Control panel
- 5 Round type exhaust duct adapter
- 6 Exhaust duct
- 7 Side panel (right)
- 8 Hot air outlet
- 9 Rear panel
- 10 Upper drain hole (drainage plug installed)
- 11 Cool air inlet grill
- 12 Hot air inlet grill
- 13 Side panel (left), removable – filter installed behind the panel
- 14 Downside drain hole (drainage plug installed)



Control Panel

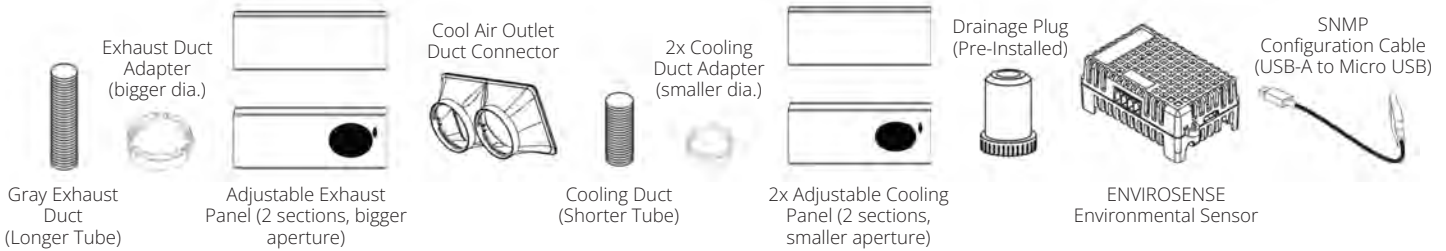
- 1 "POWER" button
- 2 "FUNCTION" button
- 3 Temperature control buttons
- 4 Temperature control buttons
- 5 Numeric display
- 6 "FAN SPEED" button
- 7 "TIMER" button
- 8 "QUIET" button



Installation

Warning: After removing the unit from the shipping container, check for damage or missing parts (refer to the parts list below). If you notice a problem, visit TrippLite.Eaton.com for service. Do not attempt to operate a damaged unit.

Accessory Parts List:



1 Unit Placement

Place the unit on a flat, level surface near a grounded AC outlet that matches the unit's voltage requirements (90-110% of the specified voltage). For best results, we recommend you do not exceed a maximum of 15.7 inches (40 cm) of clearance around the unit's sides and rear for ventilation.

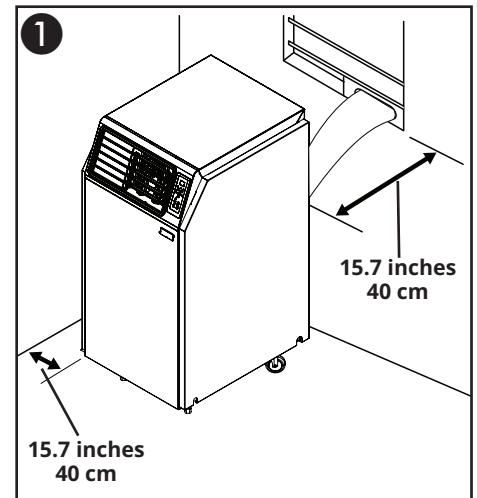
If you need to extend the exhaust pipe to place the unit farther from the wall, this will result in energy loss and the unit may not reach its rated efficiency. Place the unit near a drop ceiling or window to provide the shortest, most direct path for the flexible exhaust duct.

If you plan to use the flexible cooling duct to cool a specific rack or device, place the unit close to that target to minimize the duct length.

Warning: Do not use an extension cord to connect the unit to an AC outlet. Use only the power cord that came with the unit.

Note: If the unit will operate in a confined space (such as closet), you must supply makeup air in order to maintain airflow efficiency. A 100 in.² (645 cm²) or larger vent installed near the bottom of the door should supply adequate makeup air for a typical closet. Consult applicable building codes for more information.

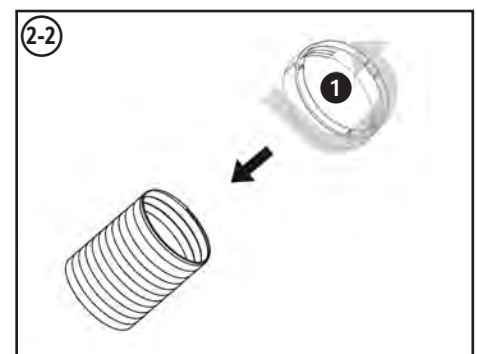
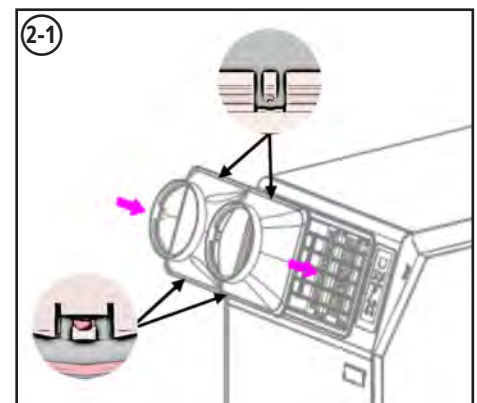
Exhaust hose not shown—see Section 3.



2 Cooling Duct Connection (Optional)

2-1 Attach the Cool Air Outlet Duct Connector to the louver by snapping it into place. Ensure that all four snap locks, two on the top and two on the bottom, are securely fastened.

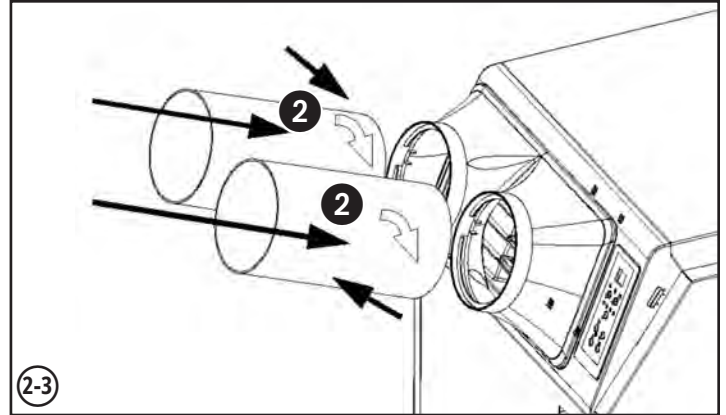
2-2 Two cooling ducts are included. Install the circular duct adapter (the smaller diameter one) by screwing it in the direction indicated by arrow 1.



Installation

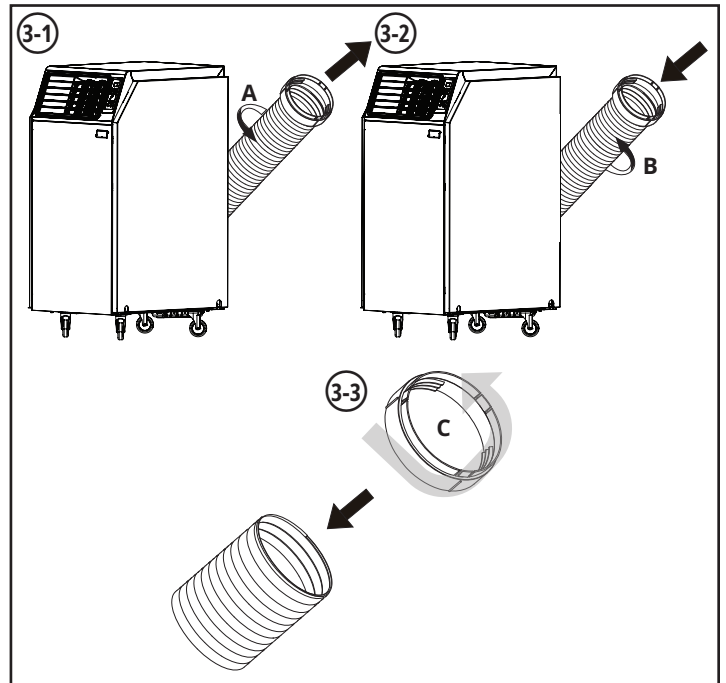
- ②-3 Finally, rotate the cooling duct in the direction of arrow ② to connect it with the cool air outlet duct adapter.

Note: Two sets of adjustment panels (with smaller apertures) are included for the installation of the cooling ducts, allowing for targeted cooling in various applications. Please refer to another page for detailed installation instructions.



③ Exhaust Duct Connection (Required)

- ③-1 Rotate the exhaust duct as the arrowhead direction **A**, and then the duct is removed from the unit.
- ③-2 Rotate the exhaust duct as the arrowhead direction **B**, and then the duct is connected to the unit.
- ③-3 Connect the exhaust duct adaptor to the exhaust duct, rotate adaptor to the direction indicated by the arrowhead **C** and attach it until several threads are engaged inside the adaptor (rotate duct in the opposite direction to detach it).



Installation

4 Drop Ceiling Exhaust Connection

Warning: Some ceilings may require modified installation procedures. The user must determine the fitness of hardware and procedures before installing. The procedures described in this manual may not be appropriate for all applications.

- 4-1 Choose a removable drop ceiling panel near the unit to provide the straightest, shortest path available for the flexible exhaust duct. Measure the width of the ceiling panel, including the portion that rests on the ceiling grid. Combine the two sections of the adjustable exhaust panel, then adjust the exhaust panel to match the width of the ceiling panel. After the exhaust panel is set to the correct width, use the included self-tapping screw to lock it in place.

Note: The exhaust panel can adjust from 20.5 to 49.2 inches (52.1 to 104.1 cm). Certain installations may require trimming the exhaust panel for a proper fit.

- 4-2 Insert the exhaust duct adapter into the oblong hole in the adjustable exhaust panel. The adapter will snap into place.

- 4-3 Slide the ceiling panel out of the way and place the exhaust panel inside the ceiling space. Allow the exhaust panel to rest on top of the ceiling grid.

Note: There must be at least 10 inches (25.4 cm) of open space above the exhaust panel to allow adequate airflow.

- 4-4 Slide the ceiling panel back into place so that it adjoins the exhaust panel and closes any gaps in the ceiling. A tight seal will permit maximum cooling efficiency. If the installation is permanent, trim the ceiling panel so it doesn't overlap the ceiling grid.

Note: The flexible exhaust duct can extend to a maximum length of 118 inches (300 cm). Provide the straightest, shortest path available. Excessive bending or stretching of the duct will reduce cooling efficiency.

After completing step 4, proceed to step 6.

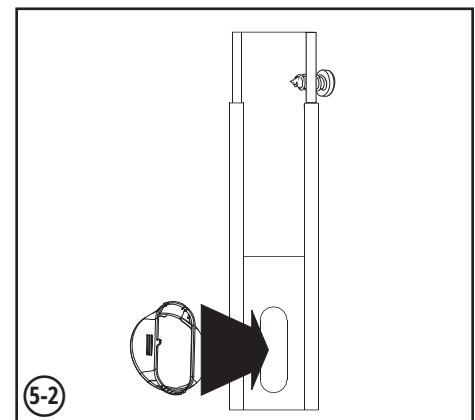
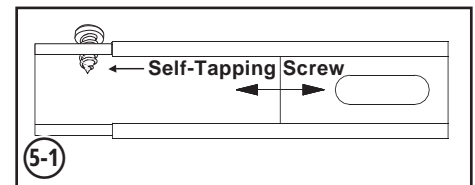
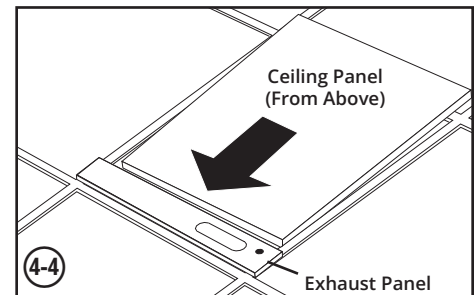
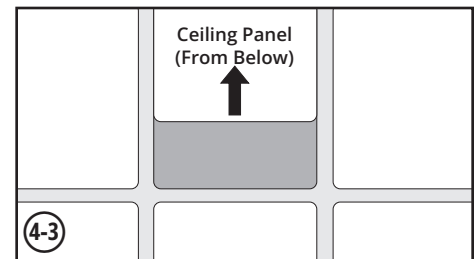
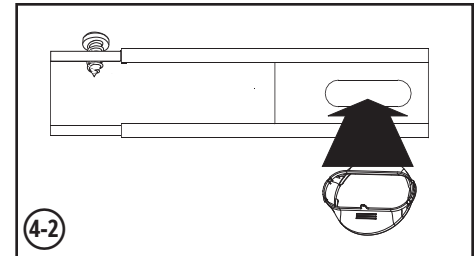
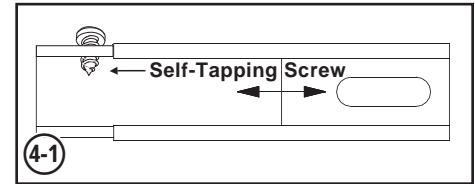
5 Window Exhaust Connection

Warning: Some windows may require modified installation procedures. The user must determine the fitness of hardware and procedures before installing. The procedures described in this manual may not be appropriate for all applications.

- 5-1 Measure the window opening. Combine the two sections of the adjustable exhaust panel, then adjust the exhaust panel to match the width of the window opening. After the exhaust panel is set to the correct width, use the included self-tapping screw to lock it in place.

Note: The exhaust panel can adjust from 20.5 to 49.2 inches (52.1 to 104.1 cm). It is compatible with vertical and horizontal mounting.

- 5-2 Insert the exhaust duct adapter into the oblong hole in the adjustable exhaust panel. The adapter will snap into place.

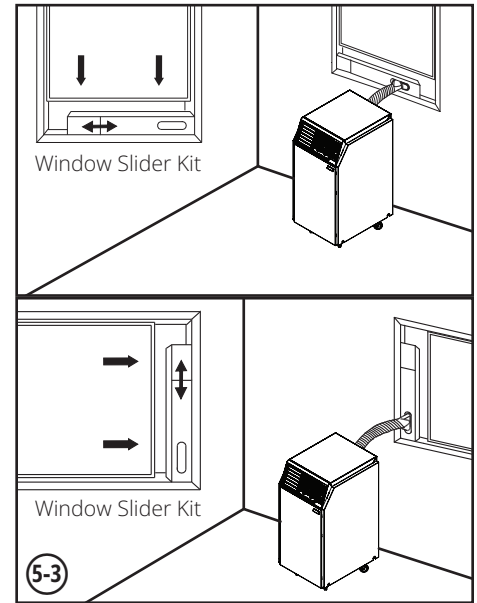
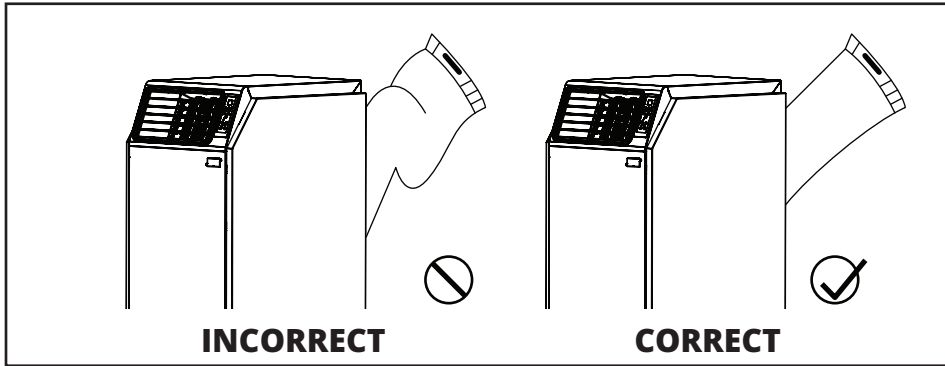


Installation

- 5-3 Insert the exhaust panel into the window opening, then close the window against the exhaust panel. A tight seal will permit maximum cooling efficiency.

Note: There must be at least 10 inches (25.4 cm) of open space behind the exhaust panel to allow adequate airflow.

Note: The flexible exhaust duct can extend to a maximum length of 118 inches (300 cm). Provide the straightest, shortest path available. Excessive bending or stretching of the duct will reduce cooling efficiency.



6 Drainage Plug Insertion

Warning: The unit's built-in re-evaporator will not function until you insert the drainage plug into the drainage outlet.

When the unit cools or dehumidifies, condensation forms. The unit has a built-in re-evaporator that allows it to expel condensation through the warm air exhaust stream. This feature allows the unit to operate indefinitely without requiring you to empty a water collection tank. The unit ships with both the upper and lower drainage plugs installed.

6-1 Cooling Mode with Re-Evaporation

Both plugs must remain installed to enable re-evaporation of condensation.

6-2 Cooling Mode without Re-Evaporation

To use Cooling mode without re-evaporating condensation, remove the bottom drain plug and route a user-supplied drain line to external drainage. The top drain plug must remain installed.

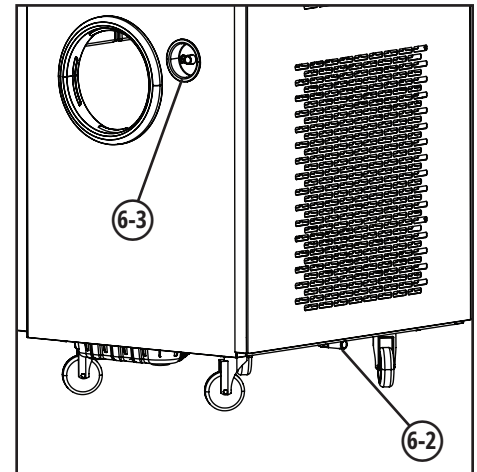
6-3 Dehumidify Mode

When using the unit in Dehumidify mode, remove the top drain plug and route a user-supplied drain line to external drainage. The bottom drain must remain installed. This will maximize the amount of water removed from the air.

Note: If the drainage system becomes clogged, a small internal reservoir will collect condensation. If the drainage system is not cleared before the internal reservoir fills, the unit will shut down automatically.

Warning: Before connecting the unit to a dedicated drainage system, turn it off and unplug it. There is a risk of electric shock while the unit is plugged in.

Note: If your building's cooling system has night or weekend thermostat setbacks, has periodic shutdowns or has limited cooling capacity, you may need to consider alternatives to the standard installation. This product is meant to be used as a supplemental cooling device, and cannot make up for significant fluctuations in building temperature or humidity.



Low Temperature Operation

The air conditioner is a high-performance cooler, capable of producing very cold air output. When using the unit in environments that are already cold (68° F / 20° C) or less, Eaton recommends using the Dehumidify mode only. This will allow the unit to continue to provide the supplemental cooling while preventing any evaporator icing issues caused by the low room temperature.

Operation

Warning: Install the unit according to the instructions in the “Installation” section before attempting to operate it.

Power

Turn the unit on or off by pressing the “POWER” button.

The unit has a three-minute compressor delay in order to prevent potential circuit overloads at startup.



Automatic Restart Feature

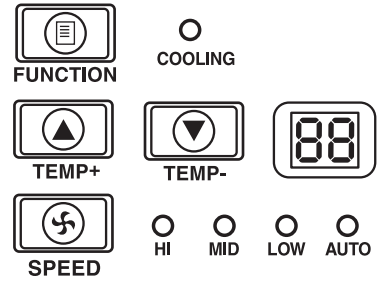
The unit will turn on and resume operation automatically when power is restored after a power outage. The unit will use the same settings that it used immediately before the power outage occurred. **Note:** *If the power outage is brief, the unit will run the fan alone for three minutes before resuming normal operation. The delay allows the compressor to depressurize so the unit will function properly when it enters Cool mode.*

Cool Mode

Pressing the “FUNCTION” button cycles between Cool mode and Dehumidify mode. The “COOLING” LED illuminates when Cool mode is active.

Press the TEMP+ and TEMP- buttons to set the temperature in Cool mode. The selected temperature is shown on the numeric display. Once set, the desired temperature will blink five times after which the display will show the current room temperature.

Press the “FAN SPEED” button to cycle between high, medium and low fan speeds. An LED illuminates to indicate the selected fan speed. When speed is set on AUTO, the unit will automatically select a fan speed based on the set and ambient temperatures. If the ambient temperature is lower than the set temperature, the fan will run and the “COOLING” LED will blink to indicate that the compressor is off. When cooling resumes, the “COOLING” LED will remain illuminated.



Dehumidify Mode

Pressing the “FUNCTION” button cycles between Cool mode and Dehumidify mode.

The “DEHUMIDIFY” LED illuminates when Dehumidify mode is active. In Dehumidify mode, the fan runs at a fixed speed and temperature controls are irrelevant. For optimal performance in Dehumidify mode, close windows and doors, remove the top drain plug and route a user-supplied drain line to external drainage.



Energy Saving when Compressor Idle under Cooling or Dehumidifying Mode

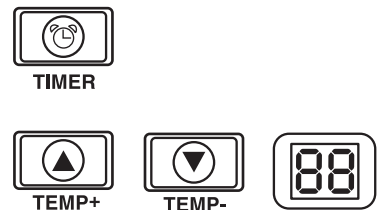
To conserve energy, when the unit is not remotely connected and the compressor is idle, the upper fan motor (evaporator) will operate continuously for 1 minute, then remain off for the following 59 minutes. This 1 minute on/59 minutes off cycle will repeat until the compressor starts running again.

Timer

The “TIMER” button allows you to schedule the unit to turn on or off automatically.

Timer On (**Note:** *The unit must be off to activate the Timer On function. Confirm that mode, temperature and fan speed settings are correct before activating the Timer On function.*) Activate the timer by pressing the “TIMER” button. Press the TEMP+ and TEMP- buttons to set the delay (in hours) before the unit will turn on. The number of hours is shown on the numeric display. The number will flash on the screen five times before returning to the current temperature.

Timer Off (**Note:** *The unit must be on to activate the Timer Off function.*) Activate the timer by pressing the “TIMER” button. Press the TEMP+ and TEMP- buttons to set the delay (in hours) before the unit will turn off. The number of hours is shown on the numeric display. The number will flash on the screen five times before returning to the current temperature.

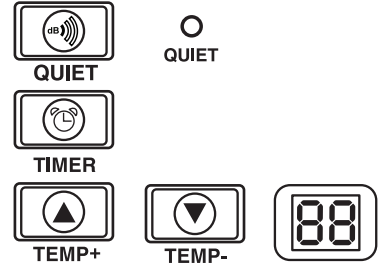


Operation

Quiet Control Mode

The unit includes a Quiet Control mode which regulates the cooling via the timer and microprocessor to achieve quieter operation levels when noise is an issue.

To activate, press the "QUIET" button. The Quiet LED will turn on. Set the desired temperature and then set the timer to the duration of the Quiet Control mode cycle. During the course of the cycle, the microprocessor memory will adjust the preset temperature by 1.8°F (1°C) after 1 hour to 3.6°F (2°C) after two hours. Once the temperature is reached, the unit will maintain the temperature for the duration of the set time.



Changing Degree Units

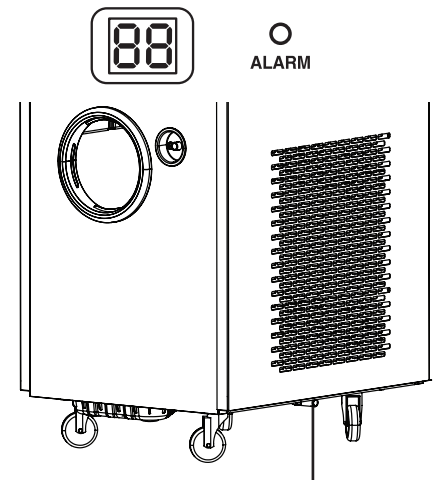
The unit can display temperature in both Celsius and Fahrenheit. The default setting for the SRCOOL24KE is Fahrenheit.

To toggle between temperature modes, put the unit in standby mode. The air conditioner is in standby mode when it is plugged into live AC power, but powered off. Then, hold the "FUNCTION" key for 10 seconds. To verify the degree units have changed, power on the unit.



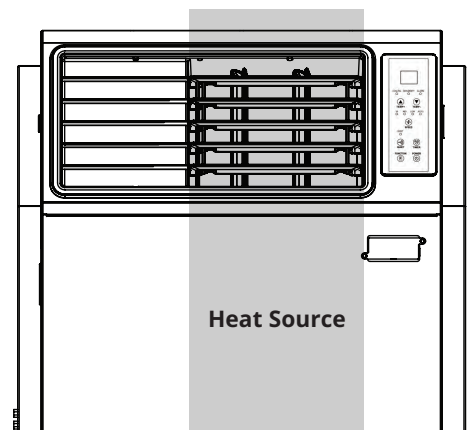
Alarm

When the water tank is full, the unit will display the message "E4" on its screen. To resume normal function, turn the unit off, remove the drainage plug and drain the excess water from the unit. Replace the plug and turn the unit on to begin cooling.



Remove the drainage plug at the bottom to empty the water tank

IMPORTANT: The airflow is strongest from the right side when facing the unit. It is recommended to position or duct this side towards the area with the highest heat load.



Cleaning and Maintenance

Clean the air conditioner and clean or replace the filters regularly to maximize performance and efficiency, prolong the unit's life and qualify for warranty if there is a performance issue.

Note: Always unplug the air conditioner from the power outlet before cleaning.

Cleaning the Air Filters

It is important to keep the air filters clean and free of dust. When the filters are dirty or clogged with dust, it decreases cooling efficiency and can threaten air quality. Eaton recommends cleaning the filters at least once every two weeks. If the unit is used in a dusty environment, the filters may need to be cleaned or replaced weekly.

⚠ Before cleaning the filters, turn the unit off and unplug it! There is a risk of electric shock while the unit is plugged in.

⚠ Never run the cooling unit without the filter.

1. Turn the unit off and unplug it.
2. Remove the filters **A** by sliding them out of the cabinet.
3. Use a vacuum cleaner or tap the filter lightly to remove loose dust and dirt.
4. Wash the filters in warm water with a neutral detergent. Do not put the filters into a dishwasher or use harsh detergents or chemicals. Allow the filters to air dry completely after washing.

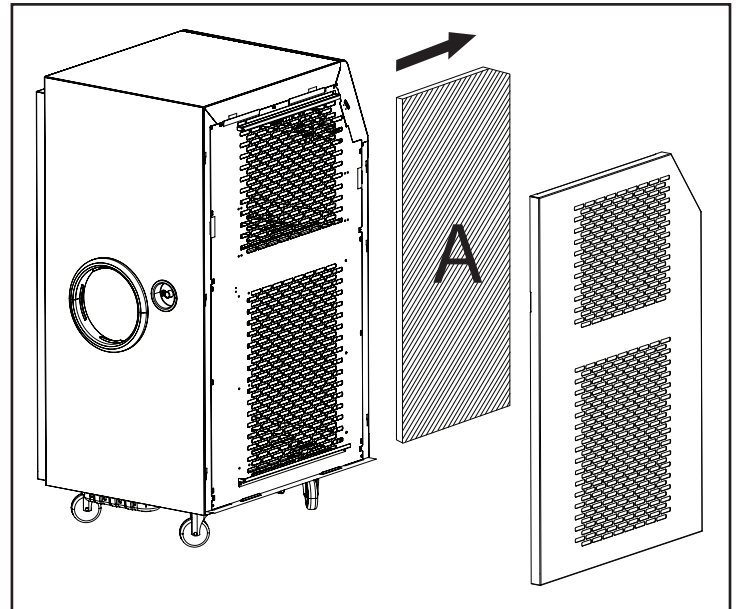
Note: Do not use water hotter than 104° F (40° C) to clean the filters.

5. Replace the filters by sliding them back into their original position.
6. Plug the unit in and resume normal operation.

Cleaning the Cabinet

⚠ Before cleaning the cabinet, turn the unit off and unplug it! There is a risk of electric shock while the unit is plugged in.

1. Turn the unit off and unplug it.
2. Use a dry, non-abrasive cloth to wipe the cabinet. If necessary, use lukewarm water to dampen the cloth. Never use abrasive chemicals, volatile substances, gasoline, benzene, thinners, detergents, chemically treated cloths, or other harsh chemicals or cleaning solvents that may damage the cabinet exterior. Do not pour water directly over the unit or into the working parts. This causes a risk of electrical shock and deterioration of electrical components and wiring insulation.
3. Use a soft bristle brush to clean between the vents.
4. Carefully use a vacuum cleaner to clean the condenser coils.



Troubleshooting

Review the possible solutions below. If the problem persists, please visit TrippLite.Eaton.com/support for service.

Problem	Possible Cause	Possible Solution
The unit does not function.	The unit is turned off.	Turn the unit on. (See "Operation" section.)
	The unit is not plugged in.	Plug the unit into a suitable outlet.
	Main power is off.	Check fuses or circuit breaker.
The unit is idle in cooling mode.	The indoor temperature is too low or too high.	Adjust the temperature setting or wait until room temperature is within setting range: 63-86°F (17-30°C).
Cooling performance is unsatisfactory.	The air exhaust or intake is blocked.	Confirm that all ducts and intakes are clear of obstructions.
	The temperature setting is too high.	Adjust the temperature setting.
	The fan speed setting is too low.	Adjust the fan setting.
	The air filters are dirty.	Clean the air filters.
	The wattage of the rack enclosure, the size of the room or the ambient temperature exceeds the cooling capacity of a single unit.	Install additional units or contact Eaton for additional cooling solutions suitable for your application.
The unit leaks water.	The drainage plug is not installed.	Insert the drainage plug in the drainage outlet. (See "Installation" section.)
The unit generates excessive noise or vibration.	The unit is on an uneven or unstable surface.	Move the unit to a level, stable surface.
The unit has ice or frost buildup.	The unit is operating in an environment with excess humidity.	OPTION 1: Turn off the unit, and let the unit defrost. Once defrosted, ensure the unit is operating with the fan speed set on HIGH. OPTION 2: Turn off the unit, and let the unit defrost. Once defrosted, operate the unit in DEHUMIDIFY MODE, or increase the desired temperature setpoint.

Additional Display Codes

Error Codes

The SRCOOL24KE has the ability to continually monitor itself. Should an error occur, the display will show one of error codes below:

Error Code	Description
E1	Indoor Temperature Sensor Error
E2	Internal Temperature Sensor Error
E3	Refrigerant Error
E4	Water Full
E5	Evaporator Fan Motor Error
E6	Condenser Fan Motor Error
EC	Internal Communication Error

For error codes E1, E2, E3, E5, E6 and EC, follow these steps:

1. Power cycle the unit by unplugging it from the power source for 5 minutes.
2. Plug the unit back in.
3. Restart the unit.

If the error code clears, you can continue operating the unit as normal. If the error code reappears, contact local distributor for further instructions.

EC: Communication breakdown. There is no signal between the display board and control main board and continues in 5 seconds.

E5: Upper fan (evaporator) motor breakdown. There is no output signal of upper fan motor found and continues in 10 seconds.

E6: Lower fan (condenser) motor breakdown. There is no output signal of upper fan motor found and continues in 10 seconds.

When T1 (the return air of evaporator / indoor temperature) is great than 122°F (50°C), the machine will stop operation until T1 return to 118°F (48°C) or below, machine will re-start from previous setting.

Troubleshooting

Defrost Protection Function (Error Code "dF")

"dF" will display when the SRCOOL24KE detects a condition in which the coil is operating below 27° F (-3° C) for more than 15 minutes.

When the compressor runs continuously for 10 minutes and the indoor coil temperature is detected to be less than or equal to 26°F (-3°C), the compressor and lower fan (condenser) will stop running and the upper fan (evaporator) will run at high speed. If the compressor stops for 3 minutes and the indoor coil temperature is greater than or equal to 37°F (3°C), the compressor will restart, exit the defrost protection and restart from the previous setting.

Storage and Service

Storage

Before storing the unit, confirm that the ducts and vents are secured or removed and cared for properly. Also confirm that the unit is drained of condensation.

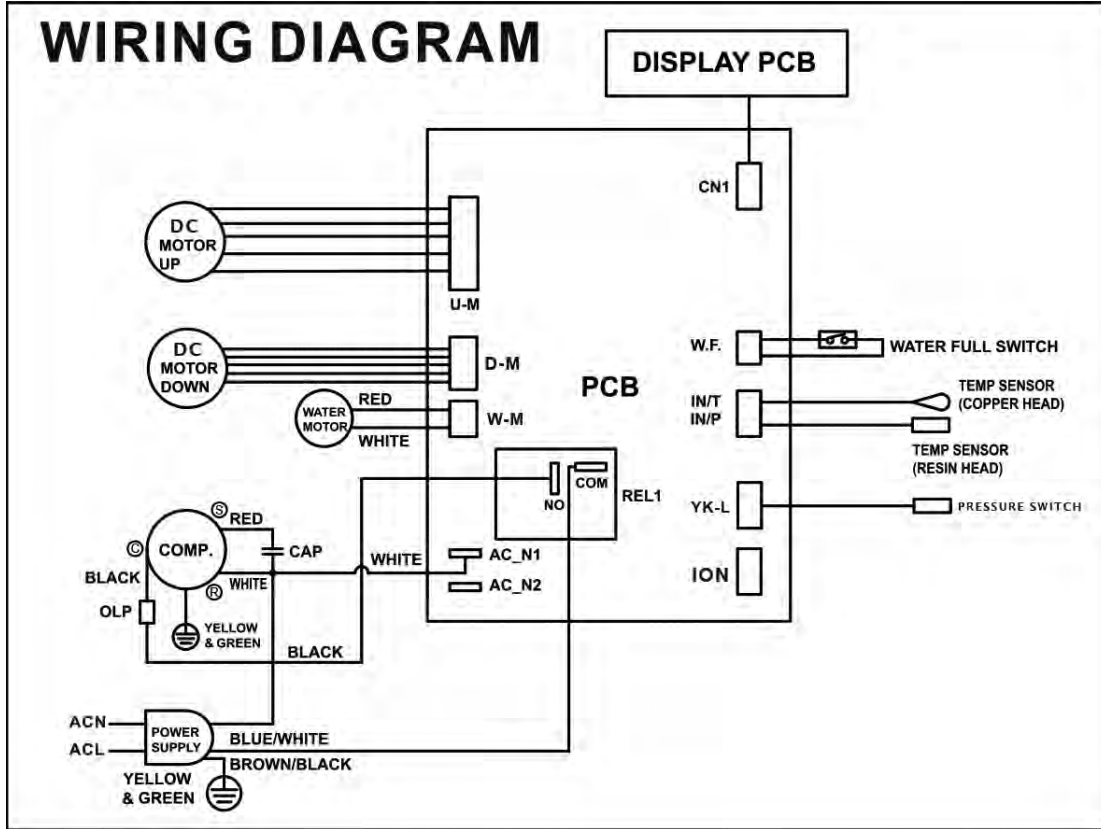
Service

Your product is covered by the warranty described in this manual. A variety of Extended Warranty and On-Site Service Programs are also available. For more information on service, visit Tripplite.Eaton.com/support. Before returning your product for service, follow these steps:

1. Review the installation and operation procedures in this manual to ensure that the service problem does not originate from a misreading of the instructions.
2. If the problem continues, do not contact or return the product to the dealer. Instead, visit Tripplite.Eaton.com/support.
3. If the problem requires service, visit Tripplite.Eaton.com/support/rma-request. From here you can request a Returned Material Authorization (RMA) number, which is required for service. This simple on-line form will ask for your unit's model and serial numbers, along with other general purchaser information. The RMA number, along with shipping instructions will be emailed to you. Any damages (direct, indirect, special or consequential) to the product incurred during shipment to Eaton or an authorized service center are not covered under warranty. Products shipped to Eaton or an authorized service center must have transportation charges prepaid. Mark the RMA number on the outside of the package. If the product is within its warranty period, enclose a copy of your sales receipt. Return the product for service using an insured carrier to the address given to you when you request the RMA.

Circuit Diagrams

The following diagram is for reference only. There are no user-serviceable parts inside the unit.



Circuit Diagram

Instructions for Repairing Appliances Containing R32 Refrigerant



This product is not user-servicable. Only qualified technicians who have properly undergone safety training and certification should handle, install or service HVAC systems using R32 refrigerant.

Work Procedure

Work shall be undertaken under a controlled procedure to minimize the risk of a flammable gas or vapor being present while the work is being performed.

General Work Area

All maintenance staff and others working in the local area shall be instructed on the nature of work being carried out. Work in confined spaces shall be avoided.

Checking For Presence of Refrigerant

The area shall be checked with an appropriate refrigerant detector prior to and during work to ensure the technician is aware of potentially toxic or flammable atmospheres. Ensure the leak detection equipment being used is suitable for use with all applicable refrigerants, i.e. non-sparking, adequately sealed or intrinsically safe.

Presence of Fire Extinguisher

If any hot work is to be conducted on the refrigerating equipment or any associated parts, appropriate fire extinguishing equipment shall be available on-hand. Have a dry powder or CO₂ fire extinguisher adjacent to the charging area.

No Ignition Sources

No person carrying out work in relation to a REFRIGERATING SYSTEM which involves exposing any pipe work shall use any sources of ignition in such a manner that it may lead to the risk of fire or explosion. All possible ignition sources, including cigarette smoking, should be kept sufficiently far away from the site of installation, repairing, removing and disposal, during which refrigerant can possibly be released to the surrounding space. Prior to work taking place, the area around the equipment is to be surveyed to make sure that there are no flammable hazards or ignition risks. "No Smoking" signs shall be displayed.

Ventilated Area

Ensure the area is in the open or that it is adequately ventilated before breaking into the system or conducting any hot work. A degree of ventilation shall continue during the period that the work is carried out. The ventilation should safely disperse any released refrigerant and preferably expel it externally into the atmosphere.

Decommissioning

Do not discard this product with your trash collection. Contact your local waste disposal service or Eaton for safe disposal options.

Labelling

Equipment shall be labelled stating that it has been de-commissioned and emptied of refrigerant. The label shall be dated and signed. For appliances containing FLAMMABLE REFRIGERANTS, ensure there are labels on the equipment stating the equipment contains FLAMMABLE REFRIGERANT.

Recovery

When removing refrigerant from a system for servicing or decommissioning, it is recommended good practice that all refrigerants are removed safely.

When transferring refrigerant into cylinders, ensure that only appropriate refrigerant recovery cylinders are employed. Ensure that the correct number of cylinders for holding the total system charge is available. All cylinders to be used are designated for the recovered refrigerant and labelled for that refrigerant (i.e. special cylinders for the recovery of refrigerant). Cylinders shall be complete with pressure-relief valve and associated shut-off valves in good working order. Empty recovery cylinders are evacuated and, if possible, cooled before recovery occurs.

The recovery equipment shall be in good working order with a set of instructions concerning the equipment that is at hand and shall be suitable for the recovery of all appropriate refrigerants including, when applicable, FLAMMABLE REFRIGERANTS. In addition, a set of calibrated weighing scales shall be available and in good working order. Hoses shall be complete with leak-free disconnect couplings and in good condition. Before using the recovery machine, check that it is in satisfactory working order, has been properly maintained and that any associated electrical components are sealed to prevent ignition in the event of a refrigerant release. Consult the manufacturer if in doubt. The recovered refrigerant shall be returned to the refrigerant supplier in the correct recovery cylinder, and the relevant waste transfer note arranged. Do not mix refrigerants in recovery units and especially not in cylinders.

If compressors or compressor oils are to be removed, ensure they have been evacuated to an acceptable level to make certain that FLAMMABLE REFRIGERANT does not remain within the lubricant. The evacuation process shall be carried out prior to returning the compressor to the suppliers. Only electric heating to the compressor body shall be employed to accelerate this process. When oil is drained from a system, it shall be carried out safely.

Warranty and Product Registration

Warranty

2-YEAR LIMITED WARRANTY (U.S. and Canada)
1-YEAR LIMITED WARRANTY (All other regions)

We warrant our products to be free from defects in materials and workmanship for a period of 2 years (U.S. and Canada) or 1 year (all other regions) from the date of initial purchase. Our obligation under this warranty is limited to repairing or replacing (at its sole option) any such defective products. Visit [Tripplite.Eaton.com/support/product-returns](https://www.tripplite.com/support/product-returns) before sending any equipment back for repair. This warranty does not apply to equipment which has been damaged by accident, negligence or misapplication or has been altered or modified in any way.

The following limitations apply to the coverage of this warranty. This warranty does not cover:

- Labor charges for installation, setup or training to use the product
- Shipping damage, and any damage caused by improper packaging for shipment to an authorized service center and any damaged caused by improper voltage or other misuse, including abnormal service, handling or usage
- Cosmetic damage such as scratches and dents
- Normal wear and tear on parts or replacement of parts designed to be replaced, e.g. filters, cartridges, batteries
- Service trips to deliver, pick-up or repair, install the product or to instruct in proper usage of the product
- Damages or operating problems resulting from misuse, abuse, operation outside environmental specifications, uses contrary to instructions provided in the owner's manual, accidents, acts of God, vermin, fire, flood, improper installation, unauthorized service, maintenance negligence, unauthorized installation or modification or rental or commercial use
- The use of the product in commercial or rental settings
- Optional accessories, attachments and appearance items
- Products that have been modified to perform outside of specifications
- Products that have had their serial numbers removed or defaced
- Products with serial numbers that have been invalidated
- Damage to personal property from use of the product
- Replacement or repair of facility fuses, circuit breakers, wiring or plumbing

Product Registration

Visit [Tripplite.Eaton.com/warranty](https://www.tripplite.com/warranty) today to register your new product. You'll be automatically entered into a drawing for a chance to win a FREE Eaton Tripp Lite series product!*

* No purchase necessary. Void where prohibited. Some restrictions apply. See website for details.

Regulatory Compliance

Regulatory Compliance Identification Numbers

For the purpose of regulatory compliance certifications and identification, your product has been assigned a unique series number. The series number can be found on the product nameplate label, along with all required approval markings and information. When requesting compliance information for this product, always refer to the series number. The series number should not be confused with the marking name or model number of the product.



WEEE Compliance Information for Customers and Recyclers (European Union)

Under the Waste Electrical and Electronic Equipment (WEEE) Directive and implementing regulations, when customers buy new electrical and electronic equipment from Eaton, they are entitled to:

- Send old equipment for recycling on a one-for-one, like-for-like basis (this varies depending on the country)
- Send the new equipment back for recycling when this ultimately becomes waste

Use of this equipment in life support applications where failure of this equipment can reasonably be expected to cause the failure of the life support equipment or to significantly affect its safety or effectiveness is not recommended.

Eaton has a policy of continuous improvement. Specifications are subject to change without notice. Photos and illustrations may differ slightly from actual products.

EATON

Powering Business Worldwide

Eaton
1000 Eaton Boulevard
Cleveland, OH 44122
United States
[Eaton.com](https://www.eaton.com)

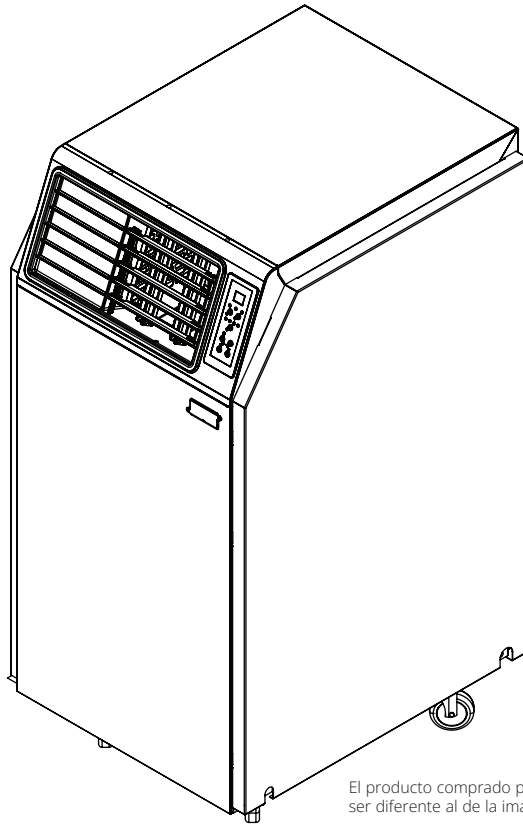
© 2025 Eaton
All Rights Reserved
Publication No. 25-04-080 / 934BB2_RevC
April 2025

Eaton is a registered trademark.

All trademarks are property of their respective owners.

Unidad Portátil de Aire Acondicionado

SRCOOL24KE
Número de Serie: AG-07FE
(208-240 V, 60 Hz)



El producto comprado puede ser diferente al de la imagen.

English	1
Francés	39

Introducción

La unidad de aire acondicionado portátil autónoma ofrece 24000 BTU/h. ASHRE (16000 BTU/hr. SACC/DOE) de enfriamiento suplementario (consulte la placa del producto para referencia). Diseñada para entornos de TI, es ideal para enfriar gabinetes de rack sobrecalentados, puntos críticos de equipos de TI y gabinetes de cableado de redes sin acceso a aire acondicionado central. La Unidad de Aire Acondicionado Portátil puede enfocar el aire frío a través de su manguera flexible de enfriamiento o enfriar una habitación pequeña a través de su ventilación con rejilla. Además filtra y deshumidifica el aire para mejorar las condiciones de operación y confiabilidad del equipo. El condensado es re- evaporado para una operación libre de goteos, de modo que usted no gaste tiempo vaciando tanques recolectores de agua. El diseño autónomo no requiere plomería ni circuitos especiales, lo que facilita y agiliza la instalación.

Cumplimiento de los Estándares Ambientales

El aire acondicionado portátil SRCOOL24KE utiliza refrigerante R32, una solución de última generación diseñada para cumplir con los últimos estándares ambientales. El R32 tiene un Potencial de Calentamiento Global (GWP) significativamente menor en comparación con refrigerantes tradicionales como el R-410A, lo que ayuda a reducir su impacto general en el cambio climático. Al utilizar R32, el SRCOOL24KE se alinea con los esfuerzos internacionales destinados a eliminar gradualmente refrigerantes de alto GWP. Esto no solo apoya iniciativas globales para combatir el calentamiento global, sino que también garantiza el cumplimiento de las regulaciones actuales y futuras establecidas por la Agencia de Protección Ambiental de Estados Unidos (EPA), el Estado de California y Canadá.

Además, el SRCOOL24KE cumple con los últimos estándares del Departamento de Energía (DoE), la Comisión de Energía de California (CEC) y Recursos Naturales de Canadá (NRCAN) para unidades de aire acondicionado portátiles, garantizando eficiencia energética y cumplimiento con los estándares ambientales.

Instrucciones Importantes de Seguridad



CONSERVE ESTAS INSTRUCCIONES

Este manual contiene instrucciones y advertencias que deben seguirse durante la instalación, operación y almacenamiento de este producto. No seguir estas advertencias podría afectar su garantía.

Información Específica sobre Electrodomésticos con Gas Refrigerante R32.

- Al descongelar y limpiar el electrodoméstico, no utilice ninguna herramienta que no sea la recomendada por el distribuidor.
- El electrodoméstico debe ser colocado en un área sin fuentes de ignición continuas (por ejemplo: llamas abiertas, aparatos a gas o eléctricos en operación).
- No perforo ni queme.
- Si el electrodoméstico se instala, opera o almacena en un área sin ventilación, la habitación debe estar diseñada para prevenir la acumulación de fugas de refrigerante, lo que podría generar un riesgo de incendio o explosión debido a la ignición del refrigerante causada por calefactores eléctricos, estufas u otras fuentes de ignición.
- El electrodoméstico debe almacenarse de tal manera que se evite un fallo mecánico.
- Las personas que operan o trabajan en el circuito de refrigerante deben contar con la certificación adecuada emitida por una organización acreditada que garantice la competencia en el manejo de refrigerantes según una evaluación específica reconocida por asociaciones en la industria.
- Las reparaciones deben realizarse según la recomendación del distribuidor. El mantenimiento y reparaciones que requieran la asistencia de otro personal cualificado deben ser realizados bajo la supervisión de una persona especificada en el manejo de refrigerantes inflamables.
- Las mangueras conectadas a un electrodoméstico no deben contener una fuente potencial de ignición.

Instrucciones Generales de Seguridad

- El electrodoméstico es solo para uso en interiores.
- No utilice la unidad en un tomacorriente que esté en reparación o que no esté instalado correctamente.
- No utilice la unidad cerca de:
 - Una fuente de fuego.
 - Un área donde es probable que salpique aceite.
 - Un área expuesta a la luz solar directa.
 - Un área donde es probable que salpique agua.
- Todas las salidas del aire acondicionado deben cumplir con los requisitos locales de seguridad eléctrica. Si es necesario, verifique los requisitos.
- Solo deben usar este dispositivo aquellos que estén debidamente capacitados o calificados para hacerlo. Cualquier persona que no esté capacitada o calificada no debe usar este dispositivo a menos que esté bajo la supervisión de alguien que esté debidamente capacitado o calificado para hacerlo.
- Los niños deben ser supervisados para asegurarse de que no usen el dispositivo como juguete.
- No se recomienda utilizar este equipo en aplicaciones de soporte de vida donde una falla podría llegar a causar la falla del equipo de soporte de vida o afectar significativamente su seguridad o efectividad.
- Nunca use el dispositivo si el cable y la clavija están dañados. Si no funciona correctamente o si se ha caído o dañado, llévelo a un centro de servicio autorizado para inspección y reparación.
- No tire, deforme o modifique el cable de alimentación ni lo sumerja en agua. Tirar o hacer un uso indebido del cable de alimentación puede causar daño a la unidad e incluso provocar una descarga eléctrica.
- Si el cable de alimentación está dañado, debe ser reemplazado por el fabricante, su agente de servicio autorizado o por personal calificado a fin de evitar un peligro.
- El equipo debe ser instalado de acuerdo con las regulaciones nacionales de cableado.
- Comuníquese con un técnico de servicio autorizado para la reparación o el mantenimiento de esta unidad.
- El usuario final debe determinar antes de su uso si este dispositivo es adecuado, suficiente o seguro para el propósito previsto. Puesto que las aplicaciones individuales pueden variar ampliamente, el fabricante no hace ninguna declaración ni garantía sobre la idoneidad o aptitud de este dispositivo para una aplicación específica.
- Instale la unidad en el interior, lejos de temperaturas extremas o humedad, luz solar directa, polvo y contaminantes conductivos.
- Deje suficiente espacio alrededor de la unidad para la ventilación, con las partes traseras y laterales con orificios de ventilación a no menos de 51 cm [20 pulgadas] de las paredes u otros obstáculos.

Instrucciones de Seguridad Importantes

- Instale la unidad sobre una superficie plana con una pendiente de no más de 10 °.
- Conecta la unidad directamente a un tomacorriente de CA con conexión a tierra. No hacerlo podría causar una descarga eléctrica o incendio.
- Asegúrese de que el cableado no esté sujeto a desgaste, corrosión, presión excesiva, vibración, bordes afilados o cualquier otro efecto ambiental adverso. La revisión también deberá tener en cuenta los efectos del envejecimiento o la vibración continua proveniente de fuentes como compresores o ventiladores.
- Esta unidad está diseñada para suministrar enfriamiento complementario para puntos calientes localizados.
- La alimentación eléctrica para la unidad debe ser clasificada de acuerdo con la placa de identificación de la unidad.
- No modifique la clavija ni use un adaptador que pueda eliminar la conexión a tierra.
- No utilices un cordón de extensión para conectar la unidad a un tomacorriente de CA. Use solamente el cable de alimentación que viene con la unidad.
- Cumple con todas las regulaciones de cableado y seguridad aplicables, como el Código Eléctrico Nacional (NEC) en los Estados Unidos.
- No conecte equipos adicionales al tomacorriente donde está enchufada la unidad. Sobrecargar la toma puede provocar una descarga eléctrica o incendio.
- No intente encender o apagar la unidad conectando y desconectando la clavija de CA. Puede causar una descarga eléctrica severa. Use el botón ON [Encendido] /OFF [Apagado] para encender o apagar la unidad.
- Apague la unidad y desconéctela del tomacorriente de CA antes de realizar labores de mantenimiento.
- Antes de conectar la unidad a un sistema de drenaje exclusivo, apáguela y desconéctela. Existe un riesgo de descarga eléctrica cuando la unidad está enchufada.
- No use solventes, alcohol, detergentes, o cepillos abrasivos para limpiar el gabinete de la unidad. Estos artículos pueden dañar el gabinete.
- No vierta agua sobre la unidad. Puede causar una descarga eléctrica y dañar la unidad.
- No opere la unidad sin el filtro de aire. Esto puede causar acumulación de polvo que puede dañar la unidad.
- No intente operar la unidad en una habitación con circulación de aire inadecuada. Suministre aire de acuerdo con los códigos de construcción aplicables.
- No coloque objetos en la parte superior de la unidad.
- No opere su aire acondicionado en una habitación húmeda, como un baño o el cuarto de lavandería.
- El rango de temperatura de funcionamiento aplicable para esta unidad es de 62 °F a 95 °F (17 °C a 35 °C).

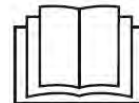


Refrigerant
Safety Group
A2L

Electrodoméstico
lleno de gas
inflamable R32.



Antes de instalar el
equipo, lea primero
este manual.

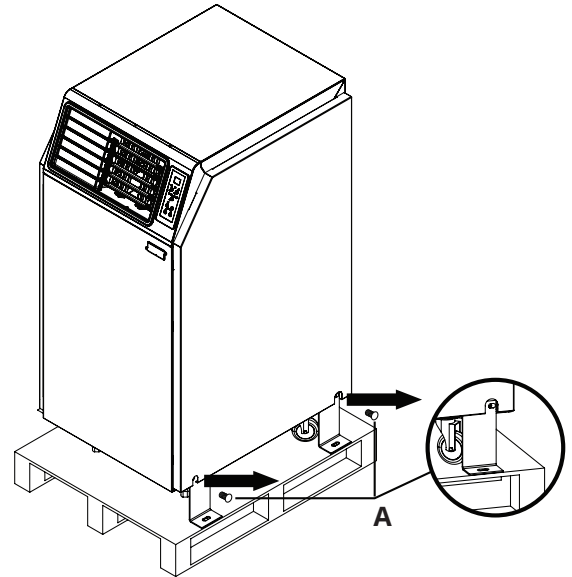


Antes de usar el equipo,
lea primero el manual del
propietario.

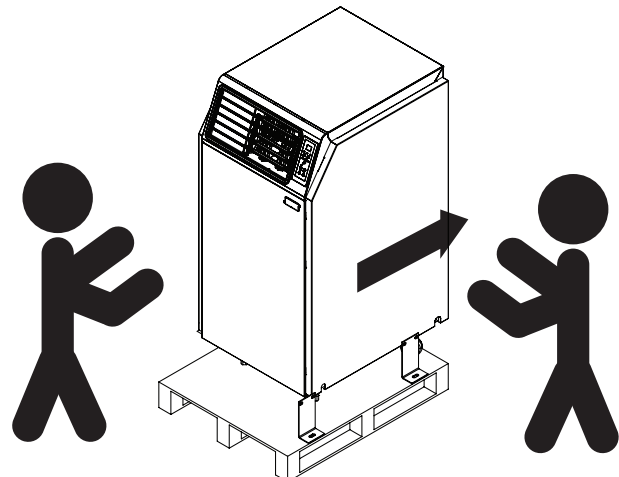
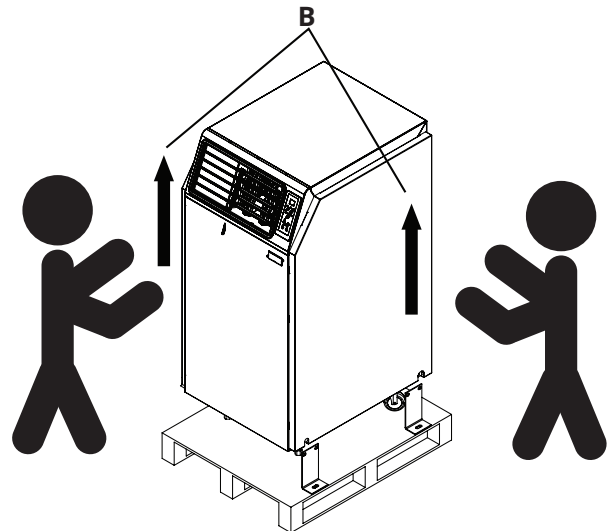
Desempacado

Nota: Asegúrate de que la unidad y la tarima adjunta estén ubicadas en una superficie nivelada antes de desempacar.

- Después de retirar todas las coberturas protectoras, envolturas, aislamiento de espuma y otros materiales de embalaje, use una llave adecuada para retirar los pernos de los soportes de envío **A** que aseguran la unidad a la tarima.
- Con la ayuda de dos personas, levante ligeramente la unidad **B** para facilitar su separación del soporte **A**.
- Desbloquee las dos ruedas bloqueables en la parte inferior.
- Asegúrese de que haya al menos una persona a cada lado de la unidad. Empuje lentamente hacia la parte posterior de la tarima de envío hasta que las cuatro ruedas pasen por el borde y toquen el suelo.



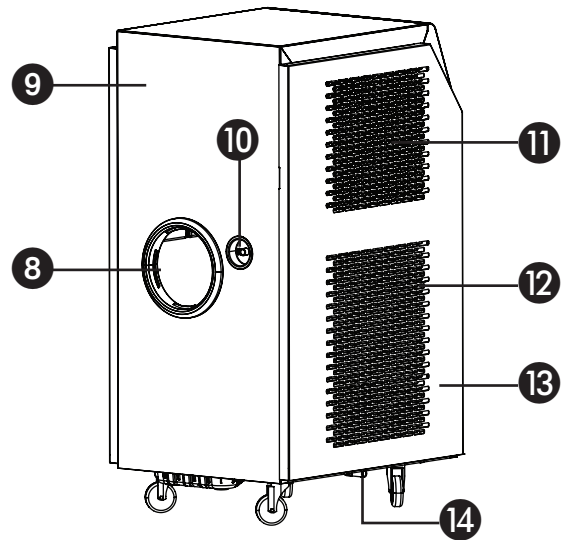
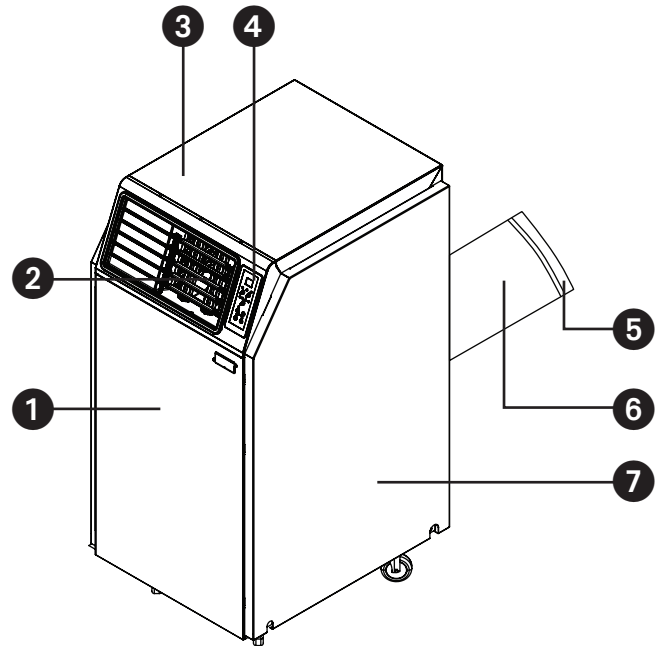
ADVERTENCIA: Asegúrese siempre de contar con al menos dos personas al levantar o retirar la unidad de la tarima.



Características

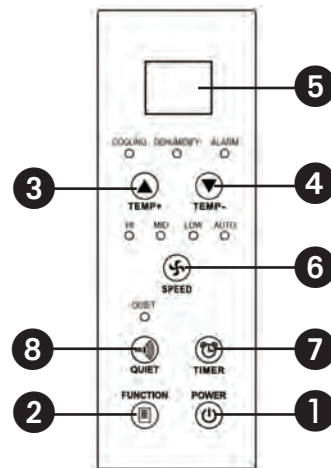
Vista Frontal/Vista Posterior

- 1 Panel Frontal
- 2 Salida de aire frío (la persiana de aire se puede ajustar manualmente para dirigir el flujo de aire de arriba hacia abajo)
- 3 Panel Superior
- 4 Panel de Control
- 5 Adaptador de Manguera de Descarga Redondo
- 6 Manguera de Descarga
- 7 Panel Lateral (derecho)
- 8 Tomacorriente de Aire Caliente
- 9 Panel Posterior
- 10 Orificio de Desagüe Superior (tapón de drenaje instalado)
- 11 Rejilla de Entrada de Aire Frío
- 12 Rejilla de Entrada de Aire Caliente
- 13 Panel Lateral (izquierdo), Extraíble – filtro instalado detrás del panel
- 14 Orificio de Desagüe Inferior (tapón de drenaje instalado)



Panel de Control

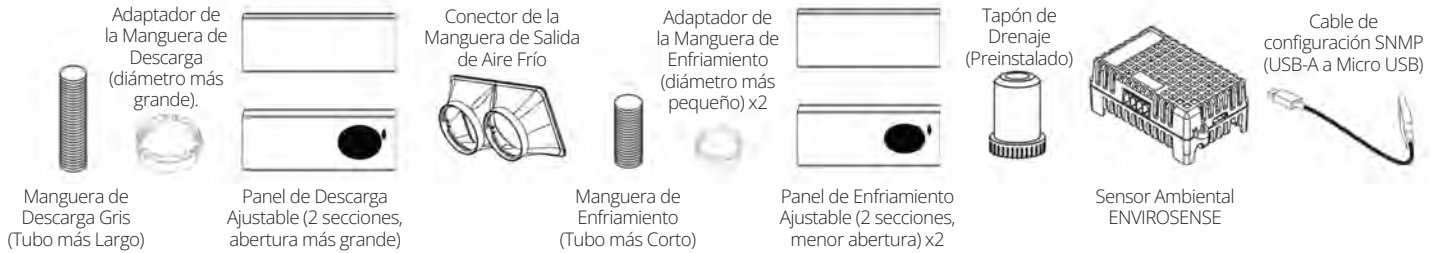
- 1 Botón de "POWER" [ENCENDIDO]
- 2 Botón "FUNCTION" [FUNCIÓN]
- 3 Botones de control de temperatura
- 4 Botones de control de temperatura
- 5 Pantalla numérica
- 6 Botón "FAN SPEED" [VELOCIDAD DEL VENTILADOR]
- 7 Botón "TIMER" [TEMPORIZADOR]
- 8 Botón "QUIET" [SILENCIO]



Instalación

Advertencia: Después de retirar la unidad del contenedor de envío, verifique posibles daños o piezas faltantes (consulte la lista de piezas a continuación). Si nota un problema, visite TrippLite.Eaton.com para obtener servicio. No intente operar una unidad dañada.

Lista de Partes:



1 Ubicación de la Unidad

Coloca la unidad sobre una superficie plana y nivelada cerca de un tomacorriente de CA con conexión a tierra que cumpla con los requisitos de voltaje de la unidad (90-110% del voltaje especificado). Para obtener los mejores resultados, recomendamos no exceder una separación máxima de 40 cm [15.7 pulgadas] alrededor de los lados y la parte trasera de la unidad para la ventilación.

Si necesita extender la tubería de descarga para colocar la unidad más alejada de la pared, esto resultará en pérdida de energía y que la unidad pudiera no alcanzar su rendimiento calificado. Coloque la unidad cerca de un falso plafón o una ventana para proporcionar la ruta más corta y directa para la manguera flexible de descarga.

Si planea utilizar la manguera flexible de enfriamiento para enfriar un rack o dispositivo específico, coloque la unidad cerca de ese objetivo para minimizar la longitud de la manguera.

Advertencia: No use un cable de extensión para conectar la unidad a un tomacorriente de CA. Use solamente el cable de alimentación que viene con la unidad.

Nota: Si la unidad funcionará en un espacio confinado (como un armario), debes suministrar aire adicional para mantener la eficiencia del flujo de aire. Una ventilación de 645 cm² [100 pulgadas²] o más instalada cerca de la parte inferior de la puerta debería suministrar aire adicional suficiente para un gabinete típico. Para más información, consulte los códigos de construcción aplicables.

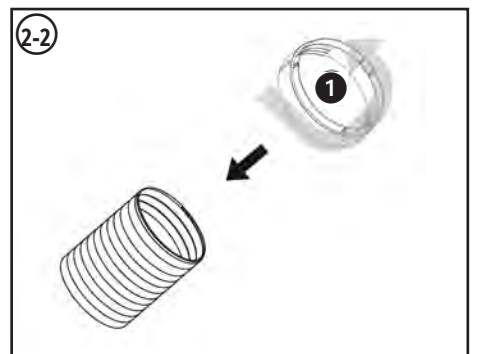
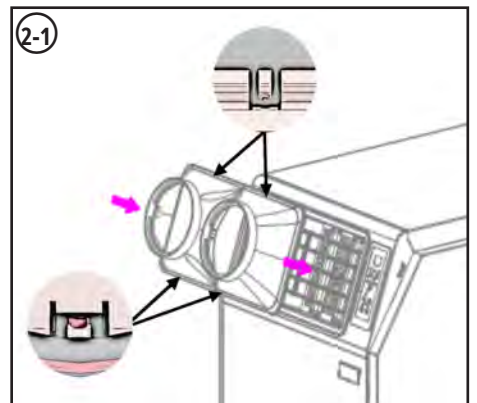
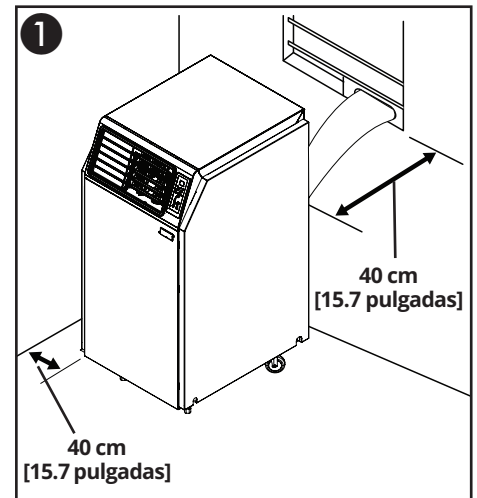
No se muestra manguera de descarga—vea la Sección 3.

2 Conexión de la Manguera de Enfriamiento (Opcional)

2-1 Fije el Conector de la Manguera de Aire Frío a la persiana encajándolo en su lugar. Asegúrese de que los cuatro cierres de presión, dos en la parte superior y dos en la parte inferior, estén firmemente sujetos.

2-2 Se incluyen dos mangueras de enfriamiento. Instale el adaptador de la manguera circular (el de menor diámetro) atornillándolo en la dirección indicada por la flecha

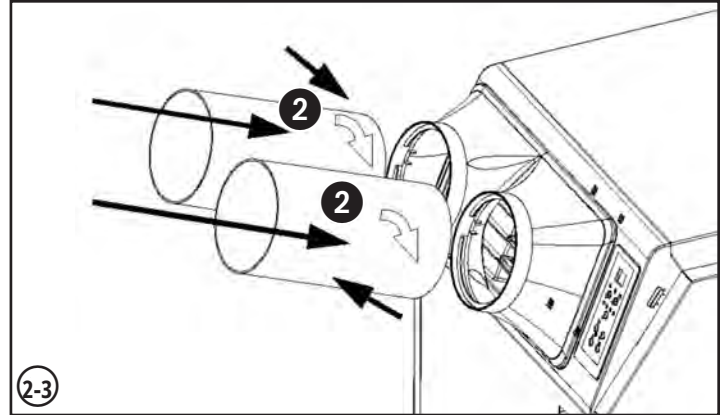
1.



Instalación

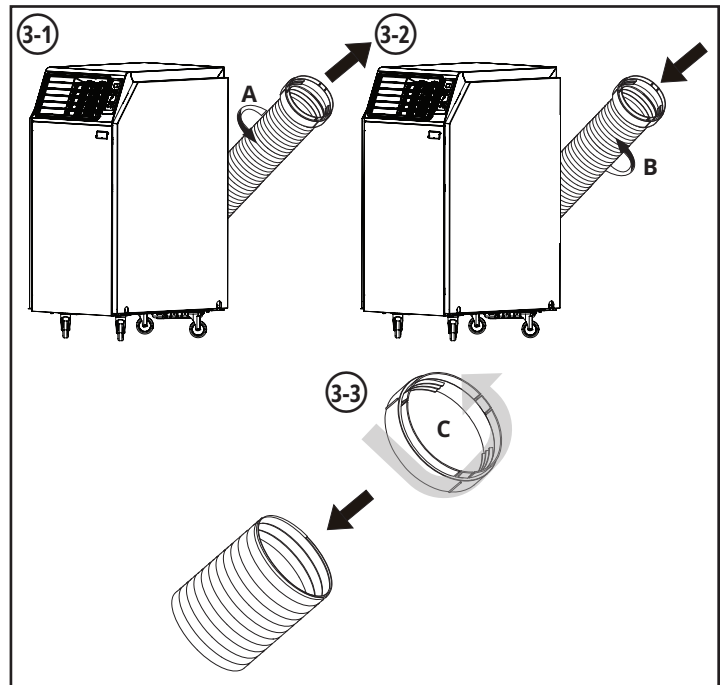
- 2-3 Por último, gire la manguera de enfriamiento en la dirección de la flecha 2 para conectarlo al adaptador de la manguera de salida de aire frío.

Nota: Se incluyen dos juegos de paneles de ajuste (con aberturas más pequeñas) para la instalación de las mangueras de enfriamiento, permitiendo un enfriamiento dirigido en diversas aplicaciones. Consulte otra página para obtener instrucciones detalladas de instalación.



3 Conexión de la Manguera de Descarga (Requerido)

- 3-1 Gire la manguera de descarga en la dirección de la punta de la flecha A y, posteriormente, retire la manguera de la unidad.
- 3-2 Gire la manguera de descarga en la dirección de la flecha B y, posteriormente, conecte la manguera a la unidad.
- 3-3 Conecte el adaptador de la manguera de descarga a la manguera de descarga, gírelo en la dirección de la flecha C y asegúrelo hasta que varias roscas queden encajados en el adaptador (gire la manguera en la dirección opuesta para desengancharlo).



Instalación

4 Conexión de Descarga en Falso Plafón

Advertencia: es posible que para algunos techos se requieran otros procedimientos de instalación. Antes de la instalación, el usuario debe determinar que los accesorios y procedimientos sean los adecuados. Es posible que los procedimientos descritos en este manual no sean adecuados para todas las aplicaciones.

- 4-1 Elige un panel de falso plafón cerca de la unidad para proporcionar la ruta más directa y corta disponible para la manguera flexible de descarga. Mida el ancho del panel del techo, incluyendo la porción que descansa en la rejilla de techo. Combine las dos secciones del panel de escape ajustable, a continuación, ajuste el panel de escape para que coincida con el ancho del panel de techo. Después que el panel de escape se ajuste al ancho correcto, use el tornillo autorroscante incluido para asegurarlo en su sitio.

Nota: el panel de descarga se puede ajustar entre 52.1 y 125 cm [20.5" y 49.2"]. Algunas instalaciones pueden requerir recortar el panel de descarga para un ajuste apropiado.

- 4-2 Inserte el adaptador de la manguera de descarga en el orificio alargado en el panel de descarga. El adaptador encajará en su lugar.
- 4-3 Deslice el panel de techo fuera de su lugar y coloque el panel de descarga en ese espacio del techo. Permita que el panel de descarga se apoye encima de la rejilla del techo.
- Nota: Debe haber al menos 25.4 cm [10 pulgadas] de espacio libre por encima del panel de descarga para permitir una circulación de aire adecuada.*

- 4-4 Deslice el panel de techo en su lugar de modo que quede junto al panel de descarga y cierre cualquier hueco en el techo. Un sellado hermético garantizará una refrigeración altamente eficiente. Si la instalación es definitiva, recorte el panel del techo para que no se superponga sobre la rejilla.

Nota: La manguera de descarga flexible se puede extender hasta una longitud máxima de 300 cm [118 pulgadas]. Busque el tendido más corto y directo posible. Excesiva flexión o estiramiento de la manguera reducirá la eficiencia de enfriamiento.

Después de completar el paso 4, continúe con el paso 6.

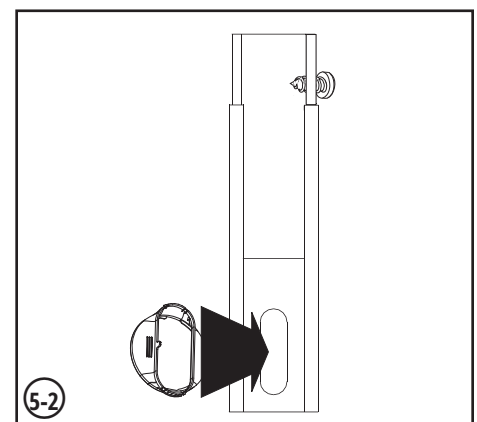
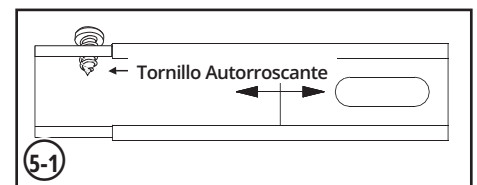
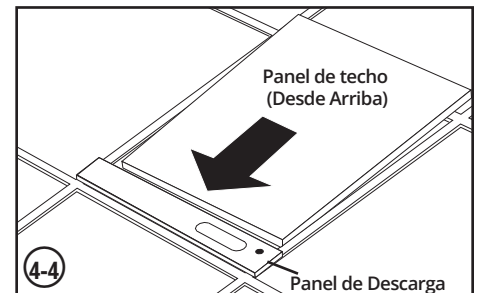
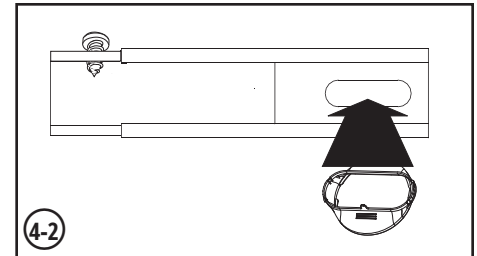
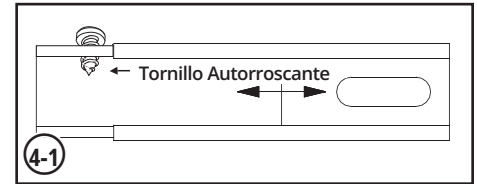
5 Conexión de Descarga de la Ventana

Advertencia: es posible que para algunas ventanas se requieran otros procedimientos de instalación. Antes de la instalación, el usuario debe determinar que los accesorios y procedimientos sean los adecuados. Es posible que los procedimientos descritos en este manual no sean adecuados para todas las aplicaciones.

- 5-1 Mida la abertura de la ventana. Combine las dos secciones del panel de escape ajustable, a continuación, ajuste el panel de escape para que coincida con el ancho de la abertura de la ventana. Después que el panel de escape se ajuste al ancho correcto, use el tornillo autorroscante incluido para asegurarlo en su sitio.

Nota: El panel de descarga se puede ajustar entre 52.1 y 125 cm [20.5 y 49.2 pulgadas]. Es compatible con instalación vertical y horizontal.

- 5-2 Inserte el adaptador de la manguera de descarga en el orificio alargado en el panel de descarga. El adaptador encajará en su lugar.

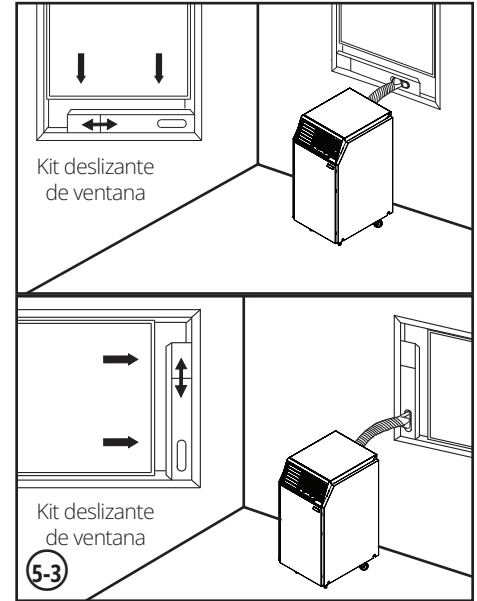
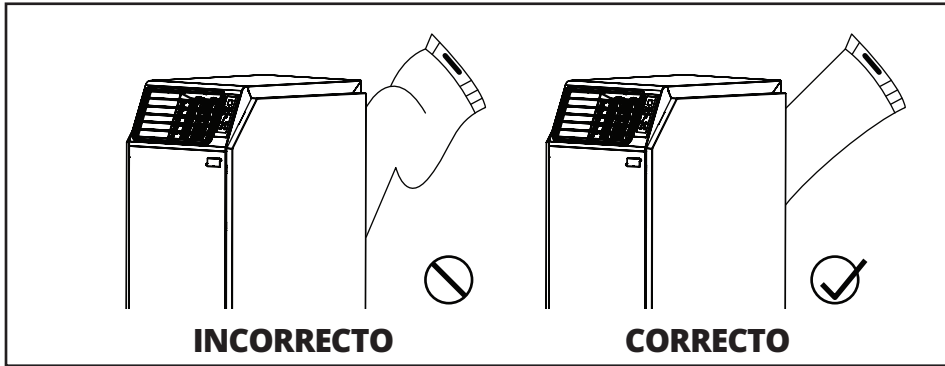


Instalación

- 5-3 Inserte el panel de descarga en la abertura de la ventana y luego cierre la ventana contra el panel de descarga. Un sellado hermético garantizará una refrigeración altamente eficiente.

Nota: Debe quedar al menos 25.4 cm [10 pulgadas] de espacio libre por detrás del panel de descarga para permitir una circulación de aire adecuada.

Nota: La manguera flexible de descarga se puede extender hasta una longitud máxima de 300 cm [118 pulgadas]. Busque el tendido más corto y directo posible. Excesiva flexión o estiramiento de la manguera reducirá la eficiencia de enfriamiento.



6 Inserción del Tapón de Drenaje

Advertencia: El re-evaporador incorporado de la unidad no funcionará a menos que inserte el tapón del drenaje en la salida del drenaje.

Cuando la unidad enfría o deshidrata, se forma condensación. La unidad tiene un reevaporador integrado que le permite expulsar la condensación a través de la corriente de descarga de aire caliente. Esta característica permite a la unidad operar en forma indefinida sin necesidad de vaciar un tanque recolector de agua. La unidad se envía con los tapones de drenaje superior e inferior instalados.

6-1 Modo de Enfriamiento con Reevaporación

Ambos tapones deben permanecer instalados para permitir la reevaporación de la condensación.

6-2 Modo de Enfriamiento sin Reevaporación

Para utilizar el modo de enfriamiento sin reevaporar la condensación, retire el tapón de drenaje inferior y conecte una manguera de drenaje proporcionada por el usuario hacia un desagüe externo. El tapón de drenaje superior debe permanecer instalado.

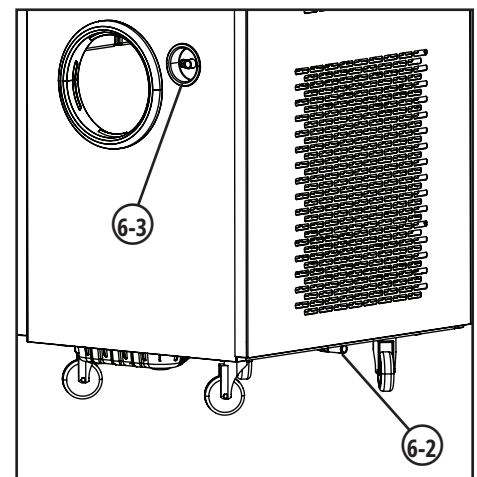
6.3 Modo de Deshumidificación

Al usar la unidad en modo de deshumidificación, retire el tapón de drenaje superior y dirija una línea de drenaje proporcionada por el usuario hacia un desagüe externo. El drenaje inferior debe permanecer instalado. Esto maximizará la cantidad de agua retirada del aire.

Nota: Si el sistema de drenaje se obstruye, un pequeño recipiente interno recolectará la condensación. Si el sistema de drenaje no se vacía antes de que se llene el depósito interno, la unidad se apagará automáticamente.

Advertencia: Antes de conectar la unidad a un sistema de drenaje dedicado, apáguela y desconéctela. Existe un riesgo de descarga eléctrica cuando la unidad está enchufada.

Nota: Si el sistema de enfriamiento de su edificio cuenta con ajustes nocturnos o de fin de semana en el termostato, tiene apagados periódicos o una capacidad de enfriamiento limitada, podría necesitar considerar alternativas a la instalación estándar. Este producto está pensado para usarse como un dispositivo complementario de enfriamiento y no puede corregir fluctuaciones significativas de la humedad o temperatura del edificio.



Operación a Baja Temperatura

El acondicionador de aire es un enfriador de alto rendimiento, capaz de producir una salida de aire muy fría. Al usar la unidad en entornos que ya están fríos (68 ° F / 20 ° C o menos), Eaton recomienda usar solo el modo de deshumidificación. Esto permitirá a la unidad continuar suministrando enfriamiento suplementario mientras evita cualquier problema de formación de hielo del evaporador causado por la baja temperatura de la habitación.

Operación

Advertencia: Instale la unidad de acuerdo con las instrucciones en la sección de "Instalación" antes de intentar operarla.

Energía

Encienda o apague la unidad oprimiendo el botón "POWER" [Encendido].

La unidad tiene un retraso de compresor de tres minutos para evitar posibles sobrecargas de circuito al iniciar.



POWER

Función de Reinicio Automático

La unidad encenderá y reanudará la operación automáticamente cuando se restablezca la energía después de un apagón. La unidad usará los mismos parámetros que usaba inmediatamente antes de ocurrir el apagón. **Nota:** Si el apagón es breve, la unidad hará funcionar sólo el ventilador por tres minutos antes de reanudar la operación normal. El retraso permite despresurizar el compresor de modo que la unidad funcione correctamente cuando ingrese al modo de enfriamiento.

Modo de Enfriamiento

Al Oprimir el botón "FUNCTION" se conmuta entre el modo de enfriamiento y el modo de deshumidificado. Cuando está activo el modo de enfriamiento se enciende el LED "COOLING".

Oprima los botones TEMP+ y TEMP- para establecer la temperatura en el modo de enfriamiento. La temperatura seleccionada se muestra en la pantalla numérica. Una vez establecida, la temperatura deseada destellará cinco veces después de la cual la pantalla mostrará la temperatura ambiente actual.

Oprima el botón "FAN SPEED" para cambiar entre las velocidades alta, media y baja del ventilador. Se enciende un LED para indicar la velocidad seleccionada del ventilador. Cuando se selecciona la velocidad en AUTO, la unidad seleccionará automáticamente una velocidad del ventilador en función de las temperaturas programada y ambiente. Si la temperatura ambiente es inferior que la temperatura establecida, el ventilador funcionará y el LED "COOLING" [ENFRIAMIENTO] destellará para indicar que el compresor está apagado. Cuando se reinicie el enfriamiento, el LED "COOLING" permanecerá iluminado.



FUNCTION



COOLING



TEMP+



TEMP-



SPEED



HI



MID



LOW



AUTO

Modo de Deshumidificado

Al Oprimir el botón "FUNCTION" se alterna entre el modo de enfriamiento y el modo de deshumidificado.

Cuando está activo el modo de deshumidificado se enciende el LED "DEHUMIDIFY". En el modo de deshumidificación, el ventilador funciona a una velocidad fija y los controles de temperatura no son relevantes. Para un rendimiento óptimo en el modo de deshumidificación, cierre las ventanas y las puertas, retire el tapón de drenaje superior y dirija una línea de drenaje proporcionada por el usuario al drenaje externo.



FUNCTION



DEHUMIDIFY

Ahorro de Energía cuando el Compresor está Inactivo en Modo de Enfriamiento o Deshumidificación

Para ahorrar energía, cuando la unidad no está conectada remotamente y el compresor está inactivo, el motor del ventilador superior (evaporador) funcionará continuamente durante 1 minuto, y luego permanecerá apagado durante los 59 minutos siguientes. Este ciclo de 1 minuto de encendido y 59 minutos de apagado se repetirá hasta que el compresor vuelva a funcionar.

Temporizador

El botón "TIMER" [TEMPORIZADOR] le permite programar la unidad para encender o apagar automáticamente.

Timer On [Encendido Programado] (Nota: La unidad debe estar apagada para activar la función Timer On. Confirme que las configuraciones de modo, temperatura y velocidad del ventilador son correctas antes de activar la función Timer On.) Active el temporizador presionando el botón "TIMER". Oprima los botones TEMP+ y TEMP- para configurar el retardo (en horas) antes de que la unidad se encienda. El número de horas se muestra en la pantalla numérica. El número destellará cinco veces en la pantalla antes de regresar a la temperatura actual.

Timer Off [Apagado Programado] (Nota: La unidad debe estar encendida para programar la función de Timer Off). Active el temporizador oprimiendo el botón "TIMER". Oprima los botones TEMP+ y TEMP- para configurar el retardo (en horas) antes de que la unidad se apague. El número de horas se muestra en la pantalla numérica. El número destellará cinco veces en la pantalla antes de regresar a la temperatura actual.



TIMER



TEMP+



TEMP-

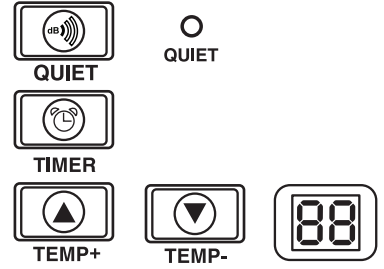


Operación

Control de Modo Silencioso

La unidad incluye un Control de Modo Silencioso que regula el enfriamiento mediante el temporizador y el microprocesador para conseguir niveles de operación más silenciosos, cuando el ruido es un problema.

Para activarlo, oprima el botón "QUIET". Se encenderá el LED Quiet. Seleccione la temperatura deseada y entonces ajuste el temporizador para la duración del ciclo de Control de Modo Silencioso. A lo largo del ciclo, la memoria del microprocesador ajustará la temperatura predeterminada en 1 °C [1.8 °F] después de 1 hora a 2 °C [3.6 °F] después de dos horas. Una vez alcanzada la temperatura, la unidad mantendrá la temperatura por la duración del tiempo establecido.



Cambio de las Unidades de Grado

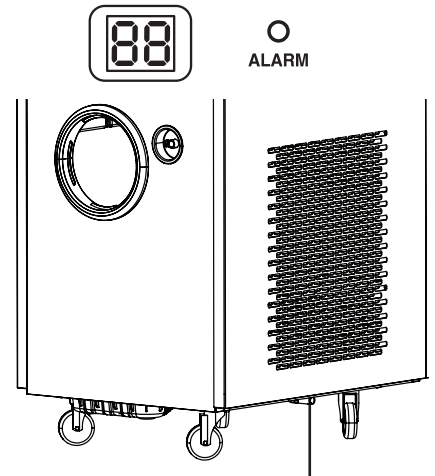
La unidad puede mostrar la temperatura en Celsius y Fahrenheit. El parámetro predeterminado para el SRCOOL24KE es Fahrenheit.

Para alternar entre los modos de temperatura, ponga la unidad en modo en espera. La Unidad de Aire Acondicionado está en modo de espera cuando es enchufado a la energía de CA, pero está apagado. Después, sostenga la tecla "FUNCTION" por 10 segundos. Para verificar que la unidad de grado ha cambiado, encienda la unidad.



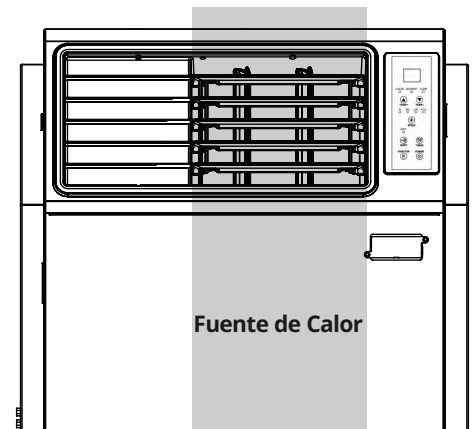
Alarma

Cuando el tanque de agua esté lleno, la unidad mostrará el mensaje "E4" en la pantalla. Para restablecer el funcionamiento normal, apague la unidad, retire el tapón del drenaje y vacíe el exceso de agua de la unidad. Coloque nuevamente el tapón y encienda la unidad para comenzar a enfriar.



Retire el tapón de drenaje en la parte inferior para vaciar el tanque de agua

IMPORTANTE: El flujo de aire es más fuerte desde el lado derecho cuando se está de frente a la unidad. Se recomienda colocar o dirigir este lado hacia el área con la carga de calor más alta.



Limpeza y Mantenimiento

Limpe la unidad de aire acondicionado y limpie o reemplace los filtros regularmente para maximizar el rendimiento y la eficiencia, prolongar la vida útil de la unidad y calificar para la garantía si hay un problema de rendimiento.

Nota: Siempre desconecte el aire acondicionado del tomacorriente antes de limpiarlo.

Limpeza de los Filtros de Aire

Es importante mantener los filtro de aire limpios y libres de polvo. Cuando los filtros están sucios u obstruidos con polvo, disminuye la eficiencia de enfriamiento y puede comprometer la calidad de aire. Eaton recomienda limpiar los filtros al menos una vez cada dos semanas. Si la unidad se usa en un ambiente polvoriento, es posible que los filtros necesiten limpiarse o reemplazarse semanalmente.

⚠ ¡Antes de limpiar los filtros, apague la unidad y desconéctela! Existe un riesgo de descarga eléctrica cuando la unidad está enchufada.

⚠ Nunca opere la unidad de enfriamiento sin el filtro.

1. Apague la unidad y desconéctela.
2. Retire los filtros **A** deslizándolos fuera del gabinete.
3. Utilice una aspiradora o golpee ligeramente el filtro para eliminar el polvo y la suciedad sueltos.
4. Lave los filtros en agua tibia con un detergente neutro. No coloque los filtros en una lavavajillas ni use detergentes o químicos agresivos. Permita que los filtros se sequen completamente después del lavado.

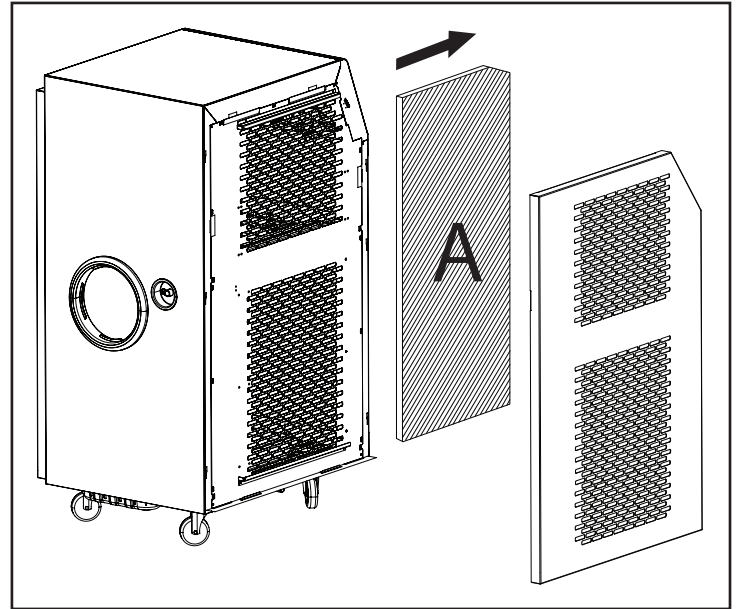
Nota: No use agua que supere los 104° F (40° C) para limpiar los filtros.

5. Reemplace los filtros deslizándolos de nuevo a su posición original.
6. Conecte la unidad y reanude el funcionamiento normal.

Limpeza del Gabinete

⚠ ¡Antes de limpiar el gabinete, apague la unidad y desconéctela! Existe un riesgo de descarga eléctrica cuando la unidad está enchufada.

1. Apague la unidad y desconéctela.
2. Utilice un paño seco y no abrasivo para limpiar el gabinete. Si es necesario, use agua tibia para humedecer el paño. Nunca use químicos abrasivos, sustancias volátiles, gasolina, benceno, thinner, detergentes, paños tratados químicamente u otros químicos agresivos o solventes de limpieza que pueden dañar el exterior del gabinete. No vierta agua directamente sobre la unidad o dentro de las partes de trabajo. Esto provoca un riesgo de descarga eléctrica y deterioro de componentes eléctricos y del aislamiento del cableado.
3. Use un cepillo de cerdas suaves para limpiar entre las rejillas.
4. Utilice cuidadosamente una aspiradora para limpiar las bobinas del condensador.



Resolución de problemas

Revise las posibles soluciones abajo. Si el problema persiste, visite TrippLite.Eaton.com/support para solicitar servicio.

Problema	Causa Posible	Solución Posible
La unidad no funciona.	La unidad está apagada.	Encienda la unidad. (Vea la sección "Operación").
	La unidad no está enchufada.	Enchufe la unidad en un tomacorriente adecuado.
	La alimentación principal está apagada.	Compruebe los fusibles o el interruptor de circuito.
La unidad está inactiva en modo de enfriamiento.	La temperatura interior es demasiado baja o demasiado alta.	Ajuste los parámetros de temperatura o espere hasta que la temperatura ambiente esté dentro del rango de la configuración: 63~86 °F (17~30 °C).
El rendimiento del enfriamiento no es satisfactorio.	La descarga o salida de aire está bloqueada.	Confirme que todos los conductos estén libres de obstrucciones.
	La configuración de la temperatura es demasiado alta.	Ajuste el valor de la temperatura.
	El ajuste de la velocidad del ventilador es demasiado bajo.	Ajuste la velocidad del ventilador.
	Los filtros de aire están sucios	Limpie los filtros de aire.
	La capacidad de enfriamiento de una sola unidad supera la potencia del gabinete de rack, el tamaño de la habitación o la temperatura ambiente.	Instale unidades adicionales o póngase en contacto con Eaton para obtener soluciones de enfriamiento adicionales adecuadas para su aplicación.
La unidad tiene fugas de agua.	El tapón de drenaje no está instalado.	Inserte el tapón de drenaje en la salida de drenaje. (Vea la sección "Instalación").
La unidad genera ruido o vibración excesivos.	La unidad está sobre una superficie irregular o inestable.	Coloque la unidad sobre una superficie nivelada y estable.
La unidad tiene acumulación de hielo o escarcha.	La unidad esté operando en un entorno con humedad excesiva.	OPCIÓN 1: Apague la unidad y deje que se descongele. Una vez descongelada, garantice que la unidad esté operando con la velocidad del ventilador en HIGH. OPCIÓN 2: Apague la unidad y deje que se descongele. Una vez descongelada, opere la unidad en DEHUMIDIFY MODE [Modo de deshumidificación] o aumente el punto de ajuste de la temperatura deseada.

Códigos Adicionales de Pantalla

Códigos de Error

El SRCOOL24KE tiene la capacidad de monitorearse continuamente. Si se produce un error, la pantalla mostrará uno de los siguientes códigos de error:

Código de Error	Descripción
E1	Error de Detector de Temperatura Interior
E2	Error del Sensor de Temperatura Interna
E3	Error de Refrigerante
E4	Lleno de Agua
E5	Error del Motor del Ventilador del Evaporador
E6	Error del Motor del Ventilador del Condensador
EC	Error de Comunicación Interna

Para los códigos de error E1, E2, E3, E5, E6 y EC, siga estos pasos:

1. Reinicie la unidad desconectándola de la fuente de alimentación durante 5 minutos.
2. Conecte nuevamente la unidad a la corriente.
3. Arranque la unidad.

Si el código de error desaparece, puede continuar operando la unidad como de costumbre. Si el código de error reaparece, póngase en contacto con el distribuidor local para obtener más instrucciones.

EC: Fallo de comunicación. No hay señal entre la tarjeta de visualización y la tarjeta principal de control y continúa en 5 segundos.

E5: Avería en el motor del ventilador superior (evaporador). No se encuentra ninguna señal de salida del motor del ventilador superior y continúa en 10 segundos.

E6: Avería del motor del ventilador inferior (condensador). No se encuentra ninguna señal de salida del motor del ventilador superior y continúa en 10 segundos.

Cuando T1 (la temperatura de retorno del evaporador / temperatura interior) sea mayor a 122°F (50°C), la máquina detendrá su operación hasta que T1 regrese a 118°F (48°C) o menos, y la máquina reanudará desde la configuración anterior.

Resolución de Problemas

Función de Protección contra Descongelación (Código de Error "dF")

"dF" se mostrará cuando el SRCOOL24KE detecte una condición en la que la bobina funciona por debajo de 27 ° F (-3 ° C) durante más de 15 minutos.

Cuando el compresor funciona continuamente durante 10 minutos y se detecta que la temperatura de la bobina interior es de 26 ° F (-3 ° C) o inferior, el compresor y el ventilador inferior (condensador) dejarán de funcionar y el ventilador superior (evaporador) funcionará a alta velocidad. Si el compresor se detiene por 3 minutos y la temperatura de la bobina interna es mayor o igual a 37°F (3°C), el compresor se reiniciará, saldrá de la protección contra descongelación y continuará desde la configuración anterior.

Almacenamiento y Servicio

Almacenamiento

Antes de almacenar la unidad, confirme que los conductos y ventilaciones estén aseguradas o retiradas y cuidadas correctamente. Confirme además que la unidad está libre de condensación.

Servicio

Su producto está cubierto por la garantía descrita en este manual. También están disponibles una variedad de programas de garantía ampliada y servicio in situ. Para obtener más información sobre el servicio, visite TrippLite.Eaton.com/support. Antes de regresar su producto para servicio, siga estos pasos:

1. Revise los procedimientos de instalación y operación en este manual para asegurarse de que el problema de servicio no se origina por una mala interpretación de las instrucciones.
2. Si el problema persiste, no se ponga en contacto ni regrese el producto al distribuidor. En su lugar, visite TrippLite.Eaton.com/support.
3. Si el problema requiere servicio, visite TrippLite.Eaton.com/support/rma-request. Desde aquí puede solicitar un número de (Solicitud de) Autorización de Devolución de Mercancía (RMA), que es necesario para el servicio. Esta sencilla forma en línea solicitará los números de modelo y serie de su unidad junto con otra información general del comprador. El número de Autorización de Devolución de Mercancía (RMA), junto con las instrucciones de envío, será enviado por correo electrónico a usted. Cualquier daño (directo, indirecto, especial o consecuente) al producto incurrido durante el envío a Eaton o a un centro de servicio autorizado no está cubierto por la garantía. Los productos enviados a Eaton o a un centro de servicio autorizado deben tener los gastos de transporte prepagados. Anote el número RMA en el exterior del paquete. Si el producto está dentro del período de garantía, adjunte una copia de su recibo de venta. Devuelva el producto para servicio utilizando un transportista asegurado a la dirección proporcionada al solicitar el RMA.

Diagramas de Circuitos

El siguiente diagrama es solo para referencia. No hay partes dentro de la unidad a las que el usuario pueda dar servicio.

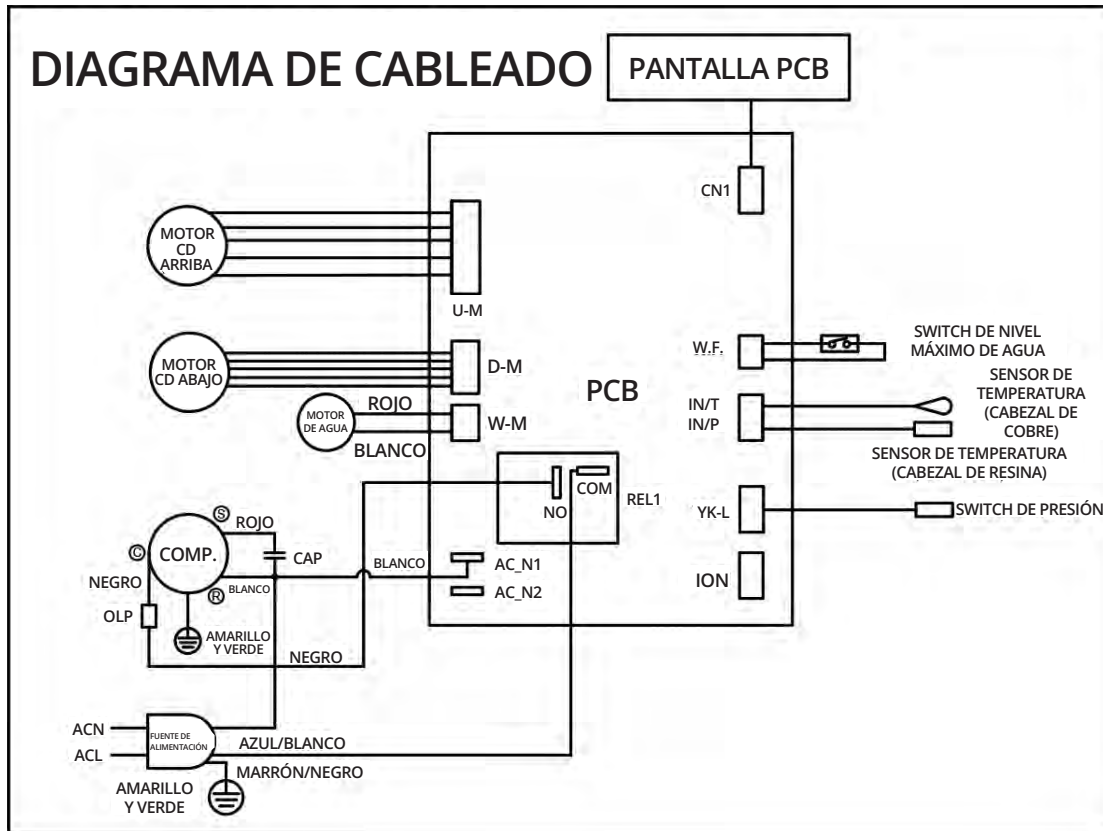


Diagrama de Circuito

Instrucciones para Reparar Electrodomésticos que Contienen Refrigerante R32



Este producto no es reparable por el usuario. Solo técnicos calificados que hayan recibido la capacitación y certificación adecuada en seguridad deben manipular, instalar o dar mantenimiento a sistemas HVAC que utilicen refrigerante R32.

Procedimiento de Trabajo

El trabajo se llevará a cabo bajo un procedimiento controlado para minimizar el riesgo de que haya gas o vapor inflamable presente mientras se realiza la tarea.

Área de Trabajo General

Todo el personal de mantenimiento y demás personas que trabajen en el área local deberán ser informados sobre la naturaleza del trabajo que se está realizando. Se deberá evitar trabajar en espacios confinados.

Verificación de la Presencia de Refrigerante

El área deberá ser revisada con un detector de refrigerante adecuado antes y durante el trabajo para garantizar que el técnico esté al tanto de posibles atmósferas tóxicas o inflamables. Asegúrese de que el equipo de detección de fugas utilizado sea adecuado para todos los refrigerantes aplicables, es decir, que no produzca chispas, esté debidamente sellado o sea a prueba de explosiones.

Presencia de Extintor de Incendios

Si se va a realizar algún trabajo en caliente en el equipo de refrigeración o en cualquier parte asociada, se deberá disponer de equipo adecuado para extinguir incendios. Conserve un extintor de incendios de polvo seco o CO2 cerca del área de carga.

Fuentes de Ignición No Permitidas

Ninguna persona que realice algún trabajo relacionado con un SISTEMA DE REFRIGERACIÓN que implique exponer tuberías, deberá utilizar fuentes de ignición de manera que pueda generar riesgo de incendio o explosión. Todas las posibles fuentes de ignición, incluyendo fumar cigarrillos, deben mantenerse suficientemente alejadas del sitio de instalación, reparación, retirada y eliminación, durante el cual pudiera liberarse refrigerante al espacio circundante. Antes de comenzar con el trabajo, se deberá inspeccionar el área alrededor del equipo para asegurarse de que no existan riesgos de inflamabilidad o fuentes de ignición. Se deben colocar carteles de "No fumar".

Área Ventilada

Asegúrese de que el área esté al aire libre o que esté adecuadamente ventilada antes de ingresar al sistema o realizar cualquier trabajo en caliente. Se debe continuar con un cierto nivel de ventilación durante el período en que se realice el trabajo. La ventilación debe dispersar de manera segura cualquier refrigerante liberado y, preferiblemente, expulsarlo externamente hacia la atmósfera.

Retiro de Servicio

No descarte este producto con su recolección de basura. Póngase en contacto con su servicio local de eliminación de residuos o con Eaton para obtener opciones de eliminación segura.

Etiquetado

El equipo deberá estar etiquetado indicando que ha sido desmantelado y vaciado de refrigerante. La etiqueta debe estar fechada y firmada. Para los electrodomésticos que contienen REFRIGERANTES INFLAMABLES, asegúrese de que haya etiquetas en el equipo que indiquen que el equipo contiene REFRIGERANTE INFLAMABLE.

Recuperación

Al eliminar refrigerante de un sistema para servicio o desmantelamiento, se recomienda seguir buenas prácticas para asegurar que todos los refrigerantes sean retirados adecuadamente.

Al transferir refrigerante a los cilindros, asegúrese de que solo se utilicen cilindros de recuperación de refrigerante adecuados. Asegúrese de que haya el número correcto de cilindros para contener la carga total del sistema. Todos los cilindros utilizados deben estar designados para el refrigerante recuperado y etiquetados para ese refrigerante (es decir, cilindros especiales para la recuperación de refrigerante). Los cilindros deben estar completos con válvula de alivio de presión y válvulas de cierre asociadas en buen estado de funcionamiento. Los cilindros vacíos de recuperación se despresurizan y, si es posible, se enfrían antes de realizar la recuperación.

El equipo de recuperación debe estar en buen estado de funcionamiento con un conjunto de instrucciones accesibles y debe ser adecuado para la recuperación de todos los refrigerantes aplicables, incluyendo, cuando corresponda, REFRIGERANTES INFLAMABLES. Además, debe haber un conjunto de básculas calibradas disponibles y en buen estado de funcionamiento. Las mangueras deben estar completas con acoplamientos de desconexión sin fugas y en buen estado. Antes de usar la máquina de recuperación, compruebe que esté en buen estado, se haya mantenido correctamente y que cualquier componente eléctrico asociado esté sellado para evitar la ignición en caso de una liberación de refrigerante. Consulte al fabricante si tiene dudas. El refrigerante recuperado debe devolverse al proveedor de refrigerante en el cilindro de recuperación correcto y se debe preparar la nota de transferencia de residuos correspondiente. No mezcle refrigerantes en unidades de recuperación y, especialmente, no en cilindros.

Si se van a retirar compresores o aceites de compresor, asegúrese de que hayan sido completamente despresurizados a un nivel aceptable para garantizar que el REFRIGERANTE INFLAMABLE no quede dentro del lubricante. El proceso de despresurización se realizará antes de devolver el compresor a los proveedores. Solo se empleará calefacción eléctrica en el cuerpo del compresor para acelerar este proceso. Cuando se drena el aceite de un sistema, debe realizarse de forma segura.

Registro de Garantía y Producto

Garantía

GARANTÍA LIMITADA DE 2 AÑOS (EE. UU. y Canadá) GARANTÍA LIMITADA DE 1 AÑO (todas las demás regiones)

Garantizamos que nuestros productos estarán libres de defectos de materiales y mano de obra durante un período de 2 años (EE.UU. y Canadá) o 1 año (todas las demás regiones) a partir de la fecha de compra inicial. Nuestra obligación bajo esta garantía está limitada a la reparación o reemplazo (a su entera discreción) de cualquier producto defectuoso. Visite [Tripplite.Eaton.com/support/product-returns](https://www.eaton.com/support/product-returns) antes de enviar cualquier equipo para su reparación. Esta garantía no se aplica a equipos que hayan sido dañados por accidente, negligencia o mal uso o hayan sido alterados o modificados de alguna manera.

Las siguientes limitaciones se aplican a la cobertura de esta garantía. Esta garantía no cubre:

- Cargos por mano de obra para instalación, configuración o capacitación para usar el producto
- Daño por envío y cualquier daño causado por empaque inadecuado para envío a un centro de servicio autorizado y cualquier daño causado por voltaje inadecuado u otro mal uso, incluyendo servicio, manejo o uso anormal
- Daños cosméticos como arañazos y abolladuras
- Desgaste normal en piezas o reemplazo de piezas diseñadas para ser reemplazadas, por ejemplo filtros, cartuchos, baterías
- Viajes de servicio para entregar, recoger, reparar o instalar el producto o para brindar capacitación en el uso adecuado del producto
- Daños o problemas de funcionamiento derivados de mal uso, abuso, operación fuera de las especificaciones ambientales, usos contrarios a las instrucciones proporcionadas en el manual del propietario, accidentes, actos de fuerza mayor, plagas, fuego, inundación, instalación incorrecta, servicio no autorizado, negligencia en el mantenimiento, instalación o modificación no autorizada, o uso comercial o alquiler
- El uso del producto en ambientes comerciales o de alquiler
- Accesorios opcionales, complementos y elementos estéticos
- Productos que han sido modificados para funcionar fuera de las especificaciones
- Productos a los que se les han quitado o dañado sus números de serie
- Productos con números de serie que han sido invalidados
- Daño a la propiedad personal por uso del producto
- Reemplazo o reparación de los fusibles de la instalación, interruptores de circuito, cableado o plomería

Registro del Producto

Visite [Tripplite.Visite Eaton.com/warranty](https://www.eaton.com/warranty) hoy para registrar su nuevo producto. ¡Usted entrará automáticamente a un sorteo para tener la oportunidad de ganar un producto de la serie Eaton Tripp Lite GRATIS!*

* No es necesaria una compra. Oferta no válida donde esté prohibido. Se aplican algunas restricciones. Para más información, consulte el sitio web.

Cumplimiento de las Normas

Números de identificación de cumplimiento de las normas

Para el propósito de certificaciones e identificación de cumplimiento de las normas, se le ha asignado a su producto un número de serie único. El número de serie se puede encontrar en la etiqueta de placa de identificación, junto con todas las marcas e información requeridas de aprobación. Al solicitar información de conformidad para este producto, refiérase siempre al número de serie. El número de serie no debe confundirse con el nombre de la marca o el número de modelo del producto.



Información de Cumplimiento de WEEE para Clientes y Recicladores (Unión Europea)

De acuerdo con la Directiva de Residuos de Equipos Eléctricos y Electrónicos [WEEE] y las regulaciones aplicables, al adquirir un equipo eléctrico y electrónico nuevo de Eaton, los clientes están obligados a:

- Enviar los equipos viejos para su reciclaje en razón de uno por uno, igual por igual (esto varía según el país).
- Devolver el equipo nuevo para fines de reciclaje una vez que finalmente se convierta en residuo

No se recomienda el uso de este equipo en aplicaciones de soporte de vida en donde razonablemente se pueda esperar que la falla de este equipo cause la falla del equipo de soporte de vida o afecte significativamente su seguridad o efectividad.

Eaton tiene una política de mejora continua. Las especificaciones están sujetas a cambio sin previo aviso. Las fotografías e ilustraciones pueden diferir ligeramente de los productos reales.

EATON

Powering Business Worldwide

Eaton
1000 Eaton Boulevard
Cleveland, OH 44122
Estados Unidos
[Eaton.com](https://www.eaton.com)

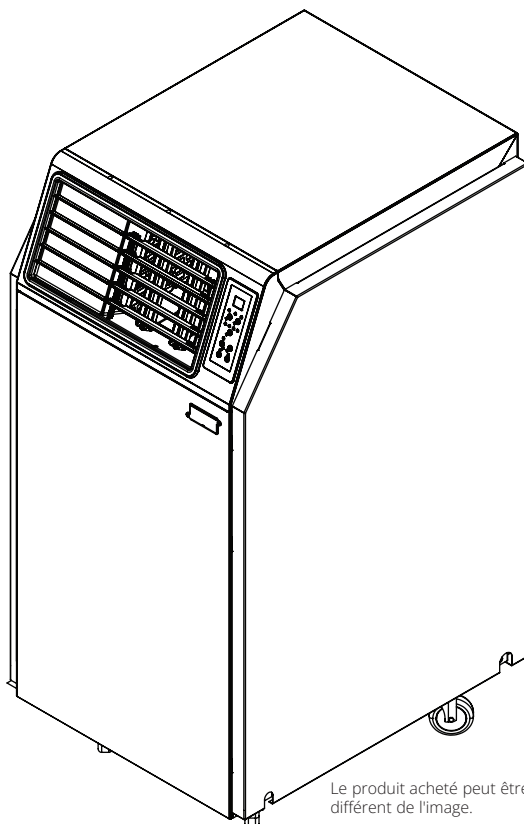
© 2025 Eaton
Todos los Derechos Reservados
Publicación n.º 25-04-080 / 934BB2_RevC
Abril de 2025

Eaton es una marca registrada.

Todas las marcas registradas pertenecen a sus respectivos propietarios.

Appareil de climatisation portable

SRCOOL24KE
Numéro de série : AG-07FE
(208-240V, 60 Hz)



Le produit acheté peut être différent de l'image.

English	1
Español	20

Introduction

Le climatiseur portable autonome fournit 24 000 Btu/h. ASHRE (16 000 Btu/h SACC/DOE) de refroidissement supplémentaire (voir la plaque signalétique du produit pour référence). Conçu pour les environnements informatiques, il est idéal pour refroidir les boîtiers surchauffés de support, les points chauds de l'équipement informatique et les armoires de réseau sans accès à la climatisation. L'appareil de climatisation portable peut concentrer de l'air froid à travers son conduit de refroidissement flexible ou refroidir une petite pièce par le biais de son évent à lames. Il filtre et déshumidifie également l'air pour améliorer les conditions de fonctionnement et la fiabilité de l'équipement. Le condensat est évaporé pour un fonctionnement antigoutte; aucune perte de temps à vider des réservoirs de collecte d'eau. La conception autonome ne nécessite aucune plomberie ou aucun circuit spécial; il est donc rapide et simple à configurer.

Respect des normes environnementales

Le climatiseur portable SRCOOL24KE utilise le réfrigérant R32, une solution de nouvelle génération conçue pour répondre aux normes environnementales les plus récentes. Le R32 a un pouvoir de réchauffement global (PRG) nettement inférieur à celui des réfrigérants traditionnels comme le R-410A, et contribue à réduire l'impact global sur le réchauffement climatique. En adoptant le R32, le SRCOOL24KE s'aligne sur les efforts internationaux visant à éliminer progressivement les réfrigérants à fort PRG. Cela permet non seulement de soutenir les initiatives mondiales de lutte contre le réchauffement climatique, mais également de se conformer aux réglementations actuelles et futures de l'Agence américaine de protection de l'environnement (EPA), de l'État de Californie et du Canada.

En outre, le SRCOOL24KE est conforme aux normes les plus récentes du ministère de l'Énergie (DoE), de la Commission californienne de l'énergie (CEC) et du ministère des Ressources naturelles Canada (RNCAN) pour les climatiseurs portables ce qui garantit l'efficacité énergétique et le respect des normes environnementales.

Consignes de sécurité importantes



VEUILLEZ CONSERVER CES INSTRUCTIONS.

Ce manuel contient des instructions et des avertissements qui doivent être respectés pendant l'installation, l'utilisation et l'entreposage de ce produit. Le non-respect de ces avertissements pourrait nuire à la garantie.

Informations spécifiques concernant les appareils contenant du gaz réfrigérant R32

- Lors du dégivrage et du nettoyage de l'appareil, n'utilisez pas d'autres outils que ceux recommandés par le distributeur.
- L'appareil doit être placé dans un endroit dépourvu de toute source d'inflammation continue (par exemple : flammes nues, appareils électriques ou à gaz en fonctionnement).
- Ne pas percer ni brûler.
- Si l'appareil est installé, utilisé ou entreposé dans un endroit non ventilé, la pièce doit être conçue de manière à empêcher l'accumulation de fuites de réfrigérant qui pourrait présenter un risque d'incendie ou d'explosion suite à l'inflammation du réfrigérant causée par des chauffages électriques, des poêles ou d'autres sources d'inflammation.
- L'appareil doit être stocké de manière à éviter toute défaillance mécanique.
- Les personnes qui travaillent sur le circuit des fluides frigorigènes doivent posséder la certification appropriée délivrée par un organisme accrédité qui garantit la compétence dans la manipulation des fluides frigorigènes selon une évaluation spécifique reconnue par les associations de l'industrie.
- Les réparations doivent être effectuées selon les recommandations du distributeur. L'entretien et les réparations qui nécessitent l'assistance d'autres personnes qualifiées doivent être effectués sous la supervision d'une personne spécifiée dans l'utilisation de réfrigérants inflammables.
- Les conduits raccordés à un appareil ne doivent pas contenir de source d'inflammation potentielle.

Instructions générales de sécurité

- L'appareil est destiné à un usage intérieur uniquement.
- Ne pas brancher l'appareil dans une prise en cours de réparation ou mal installée.
- Ne pas utiliser l'appareil à proximité de/d' :
 - Une source de feu.
 - Une zone où de l'huile est susceptible d'éclabousser.
 - Une zone exposée à la lumière directe du soleil.
 - Une zone où l'eau est susceptible d'éclabousser.
- Toutes les prises du climatiseur doivent être conformes aux exigences locales en matière de sécurité électrique. Le cas échéant, veuillez vérifier ces exigences.
- Cette vérification doit être confiée uniquement à des personnes formées ou qualifiées pour utiliser ce dispositif. Quiconque n'étant pas formé ou qualifié ne doit pas utiliser ce dispositif à moins d'être sous la surveillance de quelqu'un étant correctement formé ou qualifié pour le faire.
- Les enfants doivent être supervisés pour s'assurer qu'ils n'utilisent pas ce dispositif comme jouet.
- Il n'est pas recommandé d'utiliser cet équipement pour des appareils de survie, du fait qu'une défaillance de cet équipement peut, selon toute vraisemblance, entraîner la celle de l'appareil de maintien de la vie ou nuire de façon majeure à sa sécurité ou à son efficacité.
- Ne jamais utiliser le dispositif si le cordon et la fiche sont endommagés. S'il ne fonctionne pas correctement ou s'il est tombé ou a été endommagé, veuillez l'apporter dans un centre de réparation autorisé pour le faire inspecter et réparer.
- Ne pas tirer pas sur le cordon d'alimentation, ni le déformer ni le modifier ni l'immerger dans l'eau. Le fait de tirer sur le cordon d'alimentation ou de l'utiliser à mauvais escient peut endommager l'appareil et provoquer un choc électrique.
- Si le cordon d'alimentation est endommagé, il doit être remplacé par le fabricant, son agent d'entretien autorisé ou par du personnel qualifié afin d'éviter tout danger.
- L'appareil doit être installé conformément aux réglementations de câblage locales.
- Contacter un technicien agréé pour la réparation ou l'entretien de cet appareil.
- Avant l'utilisation de l'appareil, l'utilisateur individuel doit déterminer s'il est adapté, adéquat et sûr pour l'usage prévu. Les utilisations individuelles étant très variées, le fabricant ne déclare ni garantit l'adaptation ou l'aptitude de cet appareil pour une application spécifique.
- Installer l'appareil à l'intérieur, à l'abri des températures extrêmes ou de l'humidité, de la lumière directe du soleil, de la poussière et des contaminants conducteurs.
- Laisser un espace suffisant autour de l'appareil pour la ventilation, l'arrière et les côtés ventilés ne devant pas être à moins de 51 cm (20 po) des murs ou d'autres obstacles.
- Installer l'appareil sur une surface plane dont l'inclinaison n'est pas supérieure à 10°.

Consignes de sécurité importantes

- Brancher l'appareil directement à une prise de courant mise à la terre. Le non-respect de cette consigne pourrait provoquer une décharge électrique ou un incendie.
- Vérifier que le câblage ne sera pas soumis à l'usure, à la corrosion, à une pression excessive, à des vibrations, à des arêtes vives ou à tout autre effet environnemental négatif. Le contrôle doit également prendre en compte les effets du vieillissement ou des vibrations continues provenant de sources telles que les compresseurs ou les ventilateurs.
- Cet appareil est conçu pour fournir un refroidissement complémentaire à des endroits chauds localisés.
- Les valeurs nominales de la source d'alimentation de l'appareil doivent correspondre aux valeurs indiquées sur la plaque signalétique de l'appareil.
- Ne pas modifier la fiche de l'appareil ni utiliser un adaptateur qui éliminerait la mise à la terre.
- Ne pas utiliser de rallonge pour brancher l'appareil à une prise CA. Utiliser uniquement le cordon d'alimentation fourni avec l'appareil.
- Se conformer à toutes les normes applicables concernant la sécurité et le câblage, comme The National Electric Code (NEC) aux États-Unis.
- Ne pas brancher d'autres appareils sur la prise où l'appareil est branché. Une surcharge de la prise peut provoquer un choc électrique ou un incendie.
- Ne pas tenter de mettre l'appareil sous tension ou hors tension en branchant ou en débranchant la fiche CA. Un choc électrique grave peut se produire. Utiliser le bouton ON/OFF (marche/arrêt) pour mettre l'appareil sous tension et hors tension.
- Éteindre l'appareil et le débrancher de la prise CA avant d'effectuer l'entretien.
- Avant de raccorder l'appareil à un système dédié au drainage, le mettre hors tension et le débrancher. Il existe un risque potentiel de choc électrique lorsque l'appareil est branché.
- Ne pas utiliser de diluants, d'alcool, de détergents ou de brosses abrasives pour nettoyer le boîtier de l'appareil. Ces articles risqueraient d'endommager le boîtier.
- Ne pas verser d'eau sur l'appareil. Cela risquerait de causer une décharge électrique et d'endommager l'appareil.
- Ne pas utiliser l'appareil sans le filtre à air. Cela pourrait entraîner une accumulation de poussière qui risquerait d'endommager l'appareil.
- Ne pas tenter de faire fonctionner l'appareil dans une pièce où la circulation d'air est insuffisante. Fournir de l'air d'appoint conformément aux codes de bâtiment applicables.
- Ne pas placer d'objets sur le dessus de l'unité.
- Ne pas utiliser le climatiseur dans une pièce humide, comme une salle de bain ou une salle de lavage.
- La plage de température de fonctionnement applicable à cet appareil est la suivante : 17 °C - 35 °C (62 °F - 95 °F).

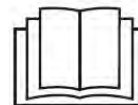


Refrigerant
Safety Group
A2L

Appareil
rempli de gaz
inflammable
R32.



Avant d'installer
l'application, lisez d'abord
ce manuel.

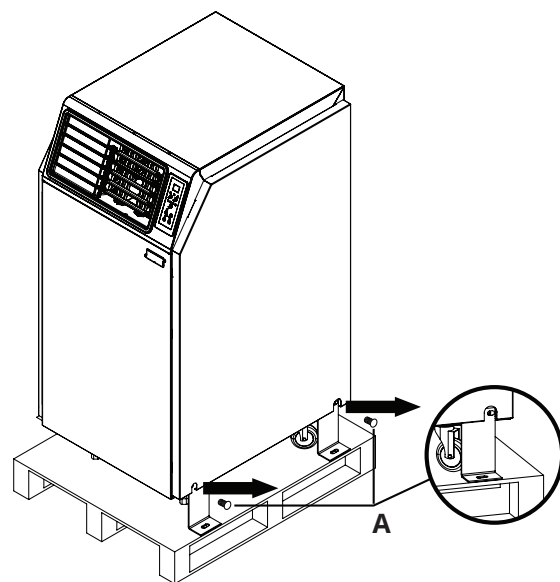


Avant d'utiliser l'appareil,
lisez d'abord le manuel
d'utilisation.

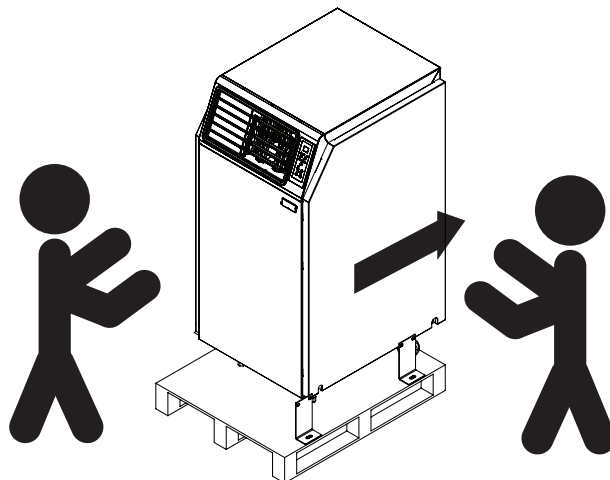
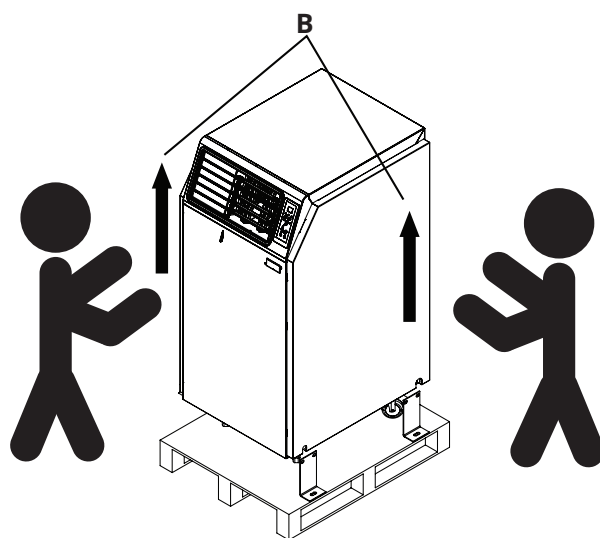
Déballage

Remarque : avant de déballer, s'assurer que l'appareil et la palette qui y est attachée sont placés sur une surface plane.

- Après avoir retiré toutes les protections, l'emballage, la mousse isolante et les autres matériaux d'emballage, utiliser une clé appropriée pour retirer les boulons des supports d'expédition **A** fixant l'appareil à la palette.
- Avec l'aide de deux personnes, soulever légèrement l'appareil **B** pour faciliter son détachement du support **A**.
- Déverrouiller les deux roulettes verrouillables situées en bas.
- S'assurer qu'au moins une personne se tient de chaque côté de l'appareil. Pousser lentement l'appareil vers l'arrière de la palette jusqu'à ce que les quatre roulettes roulent par-dessus le bord de la palette et touchent le sol.



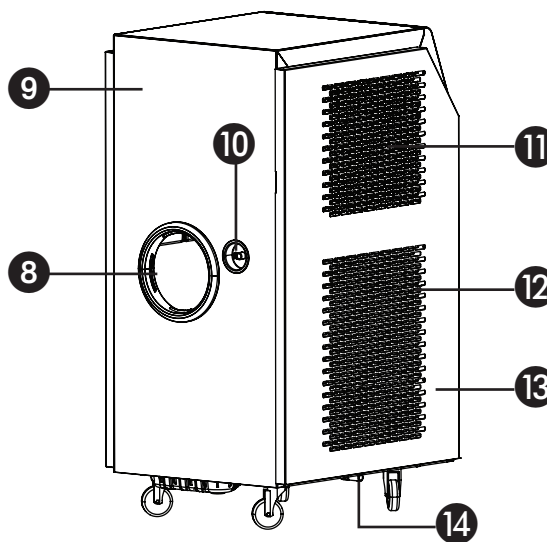
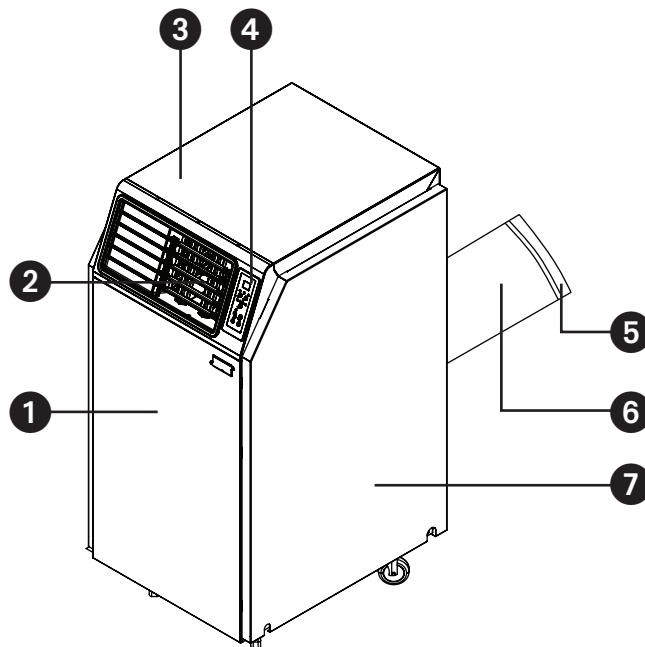
AVERTISSEMENT : faire toujours appel au moins à deux personnes pour soulever ou retirer l'appareil de la palette.



Caractéristiques

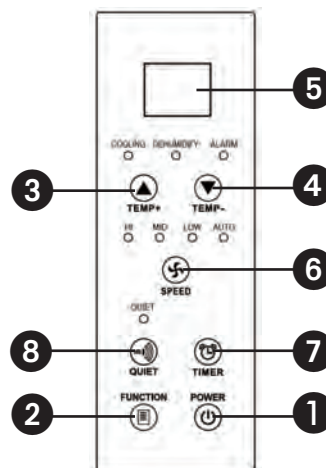
Vue avant/arrière

- ❶ Panneau avant
- ❷ Sortie d'air froid (la grille d'aération peut être réglée manuellement pour diriger le flux d'air de haut en bas)
- ❸ Panneau supérieur
- ❹ Panneau de contrôle
- ❺ Adaptateur de conduit d'évacuation de type rond
- ❻ Conduit d'évacuation
- ❼ Panneau latéral (droit)
- ❽ Sortie d'air chaud
- ❾ Panneau arrière
- ❿ Orifice de vidange supérieur (bouchon de vidange installé)
- ⓫ Grille d'entrée d'air froid
- ⓬ Grille d'entrée d'air chaud
- ⓭ Panneau latéral (gauche), amovible – filtre installé derrière le panneau
- ⓮ Orifice de vidange en bas (bouchon de vidange installé)



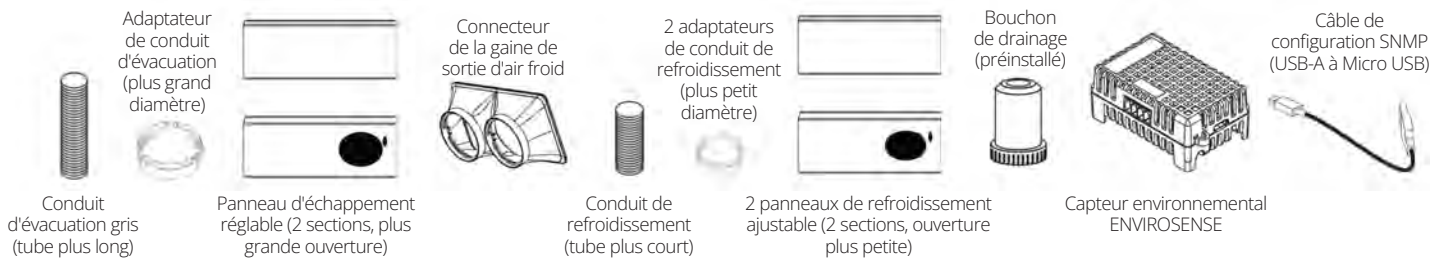
Panneau de configuration

- ❶ Bouton « D'ALIMENTATION »
- ❷ Bouton « FONCTION »
- ❸ Boutons de contrôle de la température
- ❹ Boutons de contrôle de la température
- ❺ Affichage numérique
- ❻ Bouton de « VITESSE DU VENTILATEUR »
- ❼ Bouton « MINUTERIE »
- ❽ Bouton « SILENCIEUX »



Installation

Avvertimento : Après avoir retiré l'appareil du conteneur d'expédition, vérifier l'absence de dommages ou si des pièces sont manquantes, se reporter à la liste des pièces ci-dessous. Si vous détectez un problème, veuillez visiter le site de TrippLite.Eaton.com pour le service. Ne pas tenter de faire fonctionner un appareil endommagé.



Liste des pièces pour les accessoires :

1 Placement de l'appareil

Placez l'appareil sur une surface plane et horizontale, à proximité d'une prise de courant alternatif reliée à la terre et correspondant à la tension requise pour l'appareil (90-110 % de la tension spécifiée). Pour de meilleurs résultats, nous vous recommandons de ne pas dépasser un maximum de 15,7 pouces (40 cm) d'espace libre autour des côtés et de l'arrière de l'appareil pour la ventilation.

Si vous devez prolonger le tuyau d'évacuation pour placer l'appareil plus loin du mur, cela entraînera une perte d'énergie et l'appareil n'atteindra peut-être pas son efficacité nominale. Placez l'appareil près d'un plafond suspendu ou d'une fenêtre pour que le conduit d'évacuation flexible emprunte le chemin le plus court et le plus direct.

Si vous prévoyez d'utiliser la conduite de refroidissement flexible pour refroidir un site Support ou un appareil spécifique, placez l'appareil à proximité de cette cible afin de minimiser la longueur de la conduite.

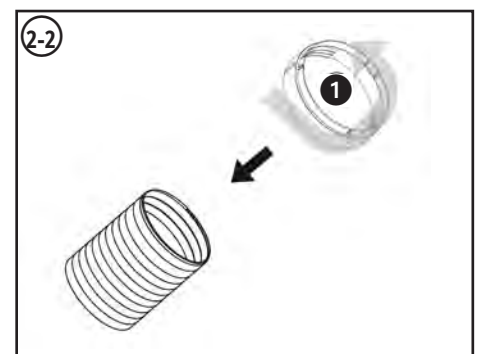
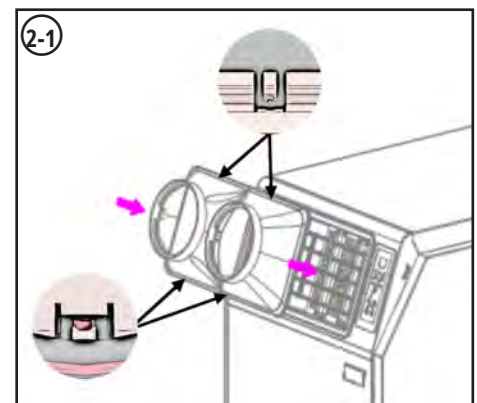
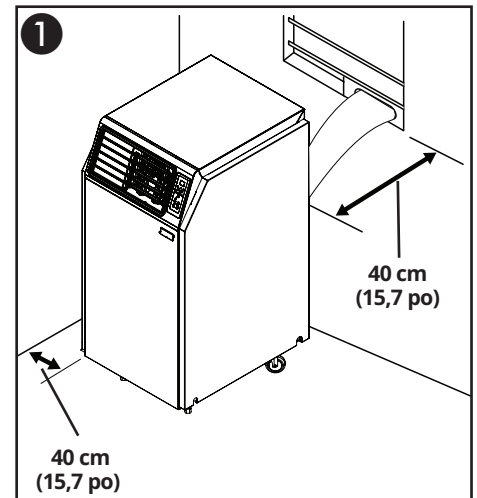
Avvertimento : Ne pas utiliser un cordon prolongateur pour brancher l'appareil à une prise de courant CA. Utiliser uniquement le cordon d'alimentation fourni avec l'appareil.

Remarque : si l'appareil est appelé à fonctionner dans un espace confiné (comme une armoire), l'utilisateur doit fournir de l'air d'appoint pour maintenir l'efficacité de la circulation de l'air. Un évent de 645 cm² 100 po² (100po²) ou plus installé près du bas de la porte devrait fournir suffisamment d'air d'appoint pour une armoire standard. Pour plus d'informations, veuillez consulter les codes de bâtiment applicables.

Tuyau d'évacuation non illustré — consulter la section 3.

2 Connexion du conduit de refroidissement (facultatif)

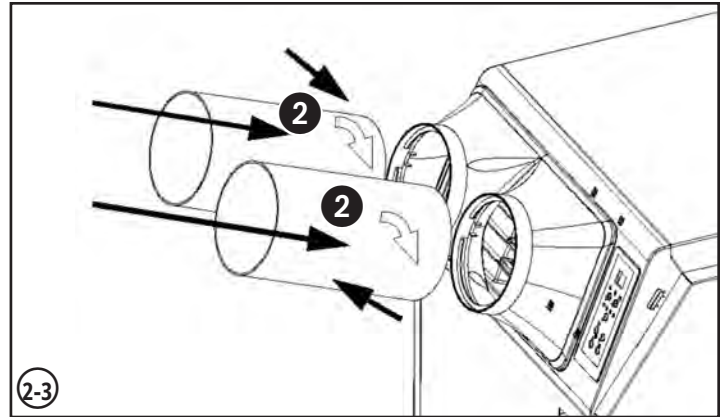
- 2-1 Fixer le connecteur de la gaine de sortie d'air frais à la persienne en l'encliquetant. Assurez-vous que les quatre verrous à pression, deux en haut et deux en bas, sont bien fixés.
- 2-2 Deux conduits de refroidissement sont inclus. Installer l'adaptateur de conduit circulaire (le plus petit diamètre) en le vissant dans le sens indiqué par la flèche 1.



Installation

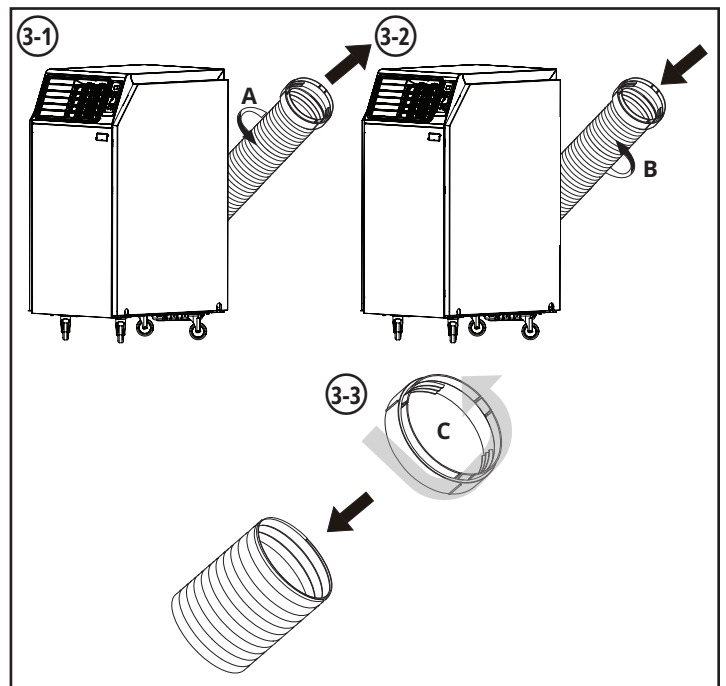
- ②-3 Enfin, tourner le conduit de refroidissement dans le sens de la flèche ② pour le raccorder à l'adaptateur du conduit de sortie d'air froid.

Remarque : deux jeux de panneaux d'ajustement (avec des ouvertures plus petites) sont inclus pour l'installation des conduits de refroidissement, permettant un refroidissement ciblé dans diverses applications. Veuillez vous référer à une autre page pour des instructions d'installation détaillées.



③ Connexion du conduit d'évacuation (requis)

- ③-1 Tourner le conduit d'évacuation dans le sens de la flèche A, puis retirer le conduit de l'appareil.
- ③-2 Tourner le conduit d'évacuation dans le sens de la flèche B, le conduit sera alors raccordé à l'appareil.
- ③-3 Raccorder l'adaptateur du conduit d'échappement à la poussière d'échappement, faire tourner l'adaptateur dans le sens indiqué par la pointe de la flèche C et le fixer jusqu'à ce que plusieurs fils soient engagés à l'intérieur de l'adaptateur (faire pivoter le conduit dans le sens opposé pour le détacher).



Installation

4 Raccord d'évchappement à un faux plafond

Avertissement : Certains plafonds peuvent exiger des procédures d'installation modifiées. L'utilisateur doit déterminer l'aptitude de la quincaillerie et des procédures avant l'installation. Les procédures décrites dans ce manuel peuvent ne pas convenir à toutes les applications.

- 4-1 Choisir un panneau amovible du faux plafond près de l'appareil pour fournir le trajet le plus direct et le plus court disponible pour le conduit d'évacuation flexible. Mesurer la largeur du panneau de plafond en incluant la partie qui repose sur l'ossature de plafond. Combiner les deux sections du panneau d'évacuation réglable, puis apporter l'ajustement nécessaire afin qu'il corresponde à la largeur du panneau de plafond. Une fois la largeur du panneau d'évacuation correctement configurée, utiliser la vis autotaraudeuse incluse pour le retenir en place.

Remarque : le panneau d'évacuation est réglable de 52,1 cm à 104,1 cm (20,5 po à 49,2 po). Certaines installations peuvent exiger la coupe du panneau d'évacuation pour un bon ajustement.

- 4-2 Insérer l'adaptateur du conduit d'évacuation dans le trou oblong du panneau d'évacuation réglable. L'adaptateur s'enclenchera en place.
- 4-3 Faire glisser de côté le panneau du plafond, puis placer le panneau d'évacuation à l'intérieur de l'espace de plafond. Laisser le panneau d'évacuation reposer sur l'ossature de plafond.

Remarque : laisser au moins 25,4 cm (10 po) d'espace ouvert au-dessus du panneau d'évacuation pour permettre une ventilation adéquate.

- 4-4 Glisser le panneau de plafond pour le remettre en place de façon à ce qu'il soit adjacent au panneau d'évacuation et comble tout écart dans le plafond. Un joint étanche permettra une efficacité de refroidissement maximale. Si l'installation est permanente, tailler le panneau de plafond de façon à ce qu'il ne chevauche pas l'ossature de plafond.

Remarque : le conduit d'évacuation flexible peut se prolonger jusqu'à une longueur maximale de 300 cm (118 po). Permettre la configuration la plus directe et la plus courte disponible. Une flexion excessive ou un étirement excessif du conduit réduira l'efficacité de refroidissement.

Une fois l'étape terminée 4, passer à l'étape 6.

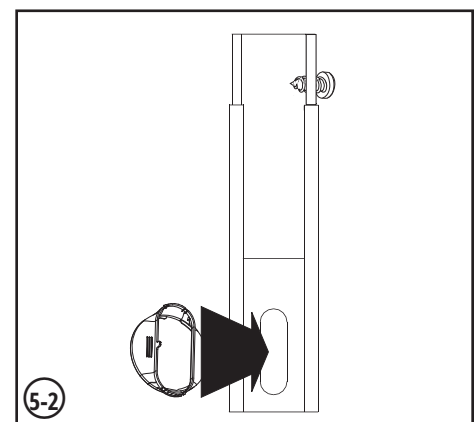
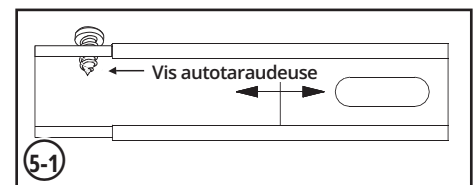
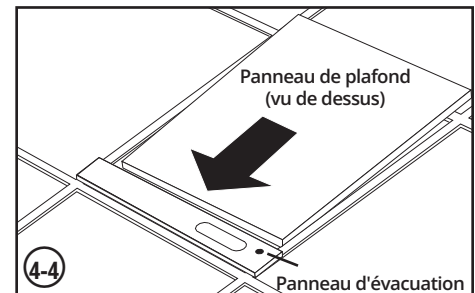
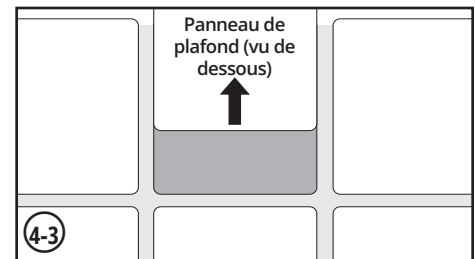
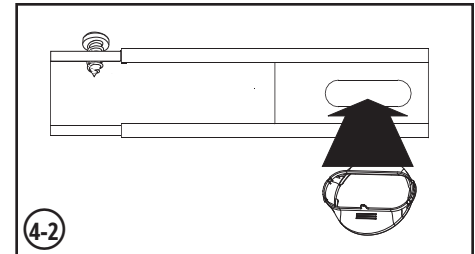
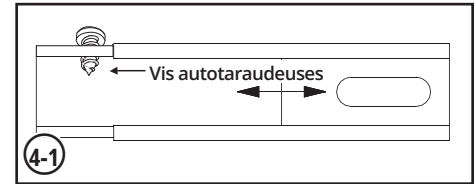
5 Raccordement de l'évacuation à une fenêtre

Avertissement : Certaines fenêtres peuvent exiger des procédures d'installation modifiées. L'utilisateur doit déterminer l'aptitude de la quincaillerie et des procédures avant l'installation. Les procédures décrites dans ce manuel peuvent ne pas convenir à toutes les applications.

- 5-1 Mesurer l'ouverture de la fenêtre. Combiner les deux sections du panneau d'évacuation réglable, puis apporter l'ajustement nécessaire afin qu'il corresponde à la largeur de la fenêtre. Une fois la largeur du panneau d'évacuation correctement configurée, utiliser la vis autotaraudeuse incluse pour le retenir en place.

Remarque : le panneau d'évacuation est réglable de 52,1 cm à 104,1 cm (20,5 po à 49,2 po). Il est compatible à un montage vertical et horizontal.

- 5-2 Insérer l'adaptateur du conduit d'évacuation dans le trou oblong du panneau d'évacuation réglable. L'adaptateur s'enclenchera en place.

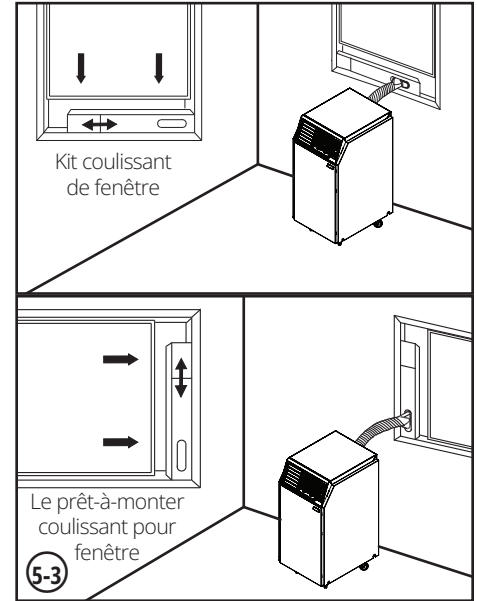
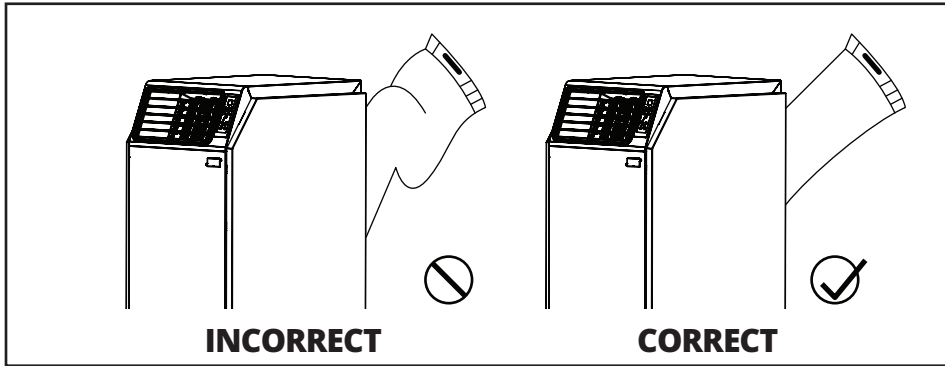


Installation

- 5-3 Insérer le panneau d'évacuation dans l'ouverture de la fenêtre, puis fermer la fenêtre contre le panneau d'évacuation. Un joint étanche permettra une efficacité de refroidissement maximale.

Remarque : laisser au moins 25,4 cm (10 po) d'espace libre derrière le panneau d'évacuation pour permettre une ventilation adéquate.

Remarque : le conduit d'évacuation flexible peut se prolonger jusqu'à une longueur maximale de 300 cm (118 po). Permettre la configuration la plus directe et la plus courte disponible. Une flexion ou un étirement excessif du conduit réduira l'efficacité de refroidissement.



6 Insertion du bouchon de drainage

Avertissement : L'évaporateur intégré de l'appareil ne peut fonctionner que si le bouchon de drainage est installé dans la sortie de drainage.

Lorsque l'appareil refroidit ou déshumidifie, il se forme de la condensation. L'appareil comporte un évaporateur intégré qui lui permet d'éliminer la condensation par le biais d'un flux d'échappement d'air chaud. Cette fonction permet à l'appareil de fonctionner indéfiniment sans avoir à vider le réservoir de collecte d'eau. L'appareil est expédié avec les bouchons de drainage supérieur et inférieur installés.

6-1 Mode de refroidissement avec re-évaporation

Les deux bouchons doivent demeurer installés pour permettre l'évaporation de la condensation.

6-2 Mode de refroidissement sans évaporation

Pour utiliser le mode Refroidissement sans réévaporer la condensation, retirer le bouchon de vidange inférieur et acheminer une conduite de vidange fournie par l'utilisateur vers un drainage externe. Le bouchon de drainage supérieur doit demeurer installé.

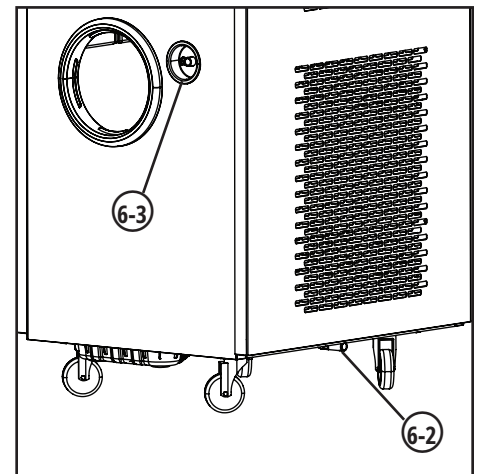
6-3 Mode Déshumidification

Lors de l'utilisation de l'appareil en mode Déshumidification, retirer le bouchon de vidange supérieur et acheminer une conduite de vidange fournie par l'utilisateur vers un drainage externe. Le bouchon de drainage inférieur doit demeurer installé. Cela permettra de maximiser la quantité d'eau éliminée de l'air.

Remarque : si le système de drainage se bouche, un petit réservoir interne recueillera la condensation. Si le système de drainage n'est pas dégagé avant le remplissage du réservoir interne, l'appareil se mettra automatiquement hors tension.

Avertissement : Avant que l'appareil ne soit raccordé à un système dédié au drainage, il doit être mis hors tension et débranché. Il existe un risque potentiel de choc électrique lorsque l'appareil est branché.

Remarque : si le système de refroidissement de votre bâtiment est équipé d'un thermostat abaissant la température la nuit ou les fins de semaine, fait l'objet d'arrêts périodiques ou a une capacité de refroidissement limitée, vous devriez envisager d'autres solutions que celle de l'installation standard. Ce produit est destiné à servir de dispositif de refroidissement supplémentaire et ne peut compenser les variations importantes du niveau de température et d'humidité d'un bâtiment.



Fonctionnement à basse température

Le climatiseur est un refroidisseur à haut rendement ayant la capacité de produire de l'air très froid à la sortie. Lors de l'utilisation de l'appareil dans des environnements déjà froids (68 ° F / 20 ° C) ou moins, Eaton recommande d'utiliser uniquement le mode Déshumidification. Cela permettra à l'appareil de continuer à fournir un refroidissement supplémentaire tout en évitant un problème de givrage de l'évaporateur causé par la basse température de la pièce.

Fonctionnement

Avertissement : avant de tenter d'utiliser l'appareil, l'installer conformément aux instructions indiquées dans la section « Installation ».

Mise en marche

Mettre l'appareil sous tension ou hors tension en appuyant sur le bouton « POWER » (marche).

L'unité dispose d'un délai de trois minutes pour le compresseur afin d'éviter les surcharges potentielles du circuit au démarrage.



Fonction de redémarrage automatique

L'appareil se mettra sous tension et se remettra automatiquement en marche une fois l'alimentation rétablie suite à une coupure de courant. L'appareil utilisera les mêmes paramètres qu'il utilisait immédiatement avant la coupure de courant. **Remarque :** si la coupure de courant est de courte durée, l'appareil activera uniquement le ventilateur pendant trois minutes avant de reprendre le fonctionnement normal. Le délai permet au compresseur de se dépressuriser de façon à ce que l'appareil puisse fonctionner correctement lorsqu'il passe en mode Refroidissement.

Mode Refroidissement

Le fait d'appuyer sur le bouton « FUNCTION » (fonction) permet de faire passer du mode Refroidissement au mode Déshumidifier. Le voyant à DEL « COOLING » (refroidissement) s'allume lorsque le mode refroidissement est actif.

Appuyer sur les boutons TEMP+ et TEMP- pour configurer la température en mode Refroidissement. La température sélectionnée est affichée sur l'afficheur numérique. Une fois configurée, la température souhaitée clignotera à cinq reprises, après quoi l'afficheur indiquera la température actuelle de la pièce.

Appuyer sur le bouton « FAN SPEED » (vitesse du ventilateur) pour passer entre les vitesses élevée, moyenne et faible. Un voyant à DEL s'allume pour indiquer la vitesse sélectionnée pour le ventilateur.

Lorsque la vitesse est configurée à AUTO, l'appareil va sélectionner automatiquement la vitesse pour le ventilateur en fonction des températures établies et ambiantes. Si la température ambiante est inférieure à la température établie, le ventilateur se mettra en marche et le voyant à DEL « COOLING » (refroidissement) clignotera pour indiquer que le compresseur est hors tension. Une fois que le refroidissement a repris, le voyant à DEL « COOLING » demeurera allumé.



FUNCTION



COOLING



TEMP+



TEMP-



SPEED



HI



MID



LOW



AUTO

Mode Déshumidifier

Le fait d'appuyer sur le bouton « FUNCTION » (fonction) permet de faire passer du mode Refroidissement au mode Déshumidifier.

Le voyant à DEL « DEHUMIDIFY » (déshumidifier) s'allume lorsque le mode Déshumidifier est actif. En mode Déshumidifier, le ventilateur fonctionne à vitesse constante et les commandes de température ne sont plus pertinentes. Pour un fonctionnement optimal en mode déshumidification, fermer les fenêtres et les portes, retirer le bouchon de vidange supérieur et acheminer un tuyau de vidange fourni par l'utilisateur jusqu'à l'évacuation extérieure.



FUNCTION



DEHUMIDIFY

Économie d'énergie lorsque le compresseur est au repos en mode refroidissement ou déshumidification

Pour économiser l'énergie, lorsque l'appareil n'est pas connecté à distance et que le compresseur est au repos, le moteur du ventilateur supérieur (évaporateur) fonctionnera en continu pendant une minute, puis restera éteint pendant les 59 minutes suivantes. Ce cycle d'une minute de marche/59 minutes d'arrêt se répète jusqu'à ce que le compresseur se remette à fonctionner.

Minuterie

Le bouton « TIMER » (minuterie) permet de planifier la mise sous tension et hors tension automatique de l'appareil.

Allumer le « Timer » (remarque : pour activer la minuterie, l'appareil doit être éteint. Vérifier que les réglages du mode, de la température et de la vitesse du ventilateur sont corrects avant d'activer la minuterie.) Activer la minuterie en appuyant sur le bouton « TIMER ». Appuyer sur les boutons TEMP+ et TEMP- pour configurer le délai (en heures) avant la mise en marche de l'appareil. Le nombre d'heures est indiqué sur l'afficheur numérique. Le nombre clignotera sur l'écran à cinq reprises avant de recommencer à afficher la température actuelle.

Éteindre le « Timer » (remarque : l'appareil doit se trouver sous tension pour pouvoir activer la fonction de désactivation de la minuterie.) Activer la minuterie en appuyant sur le bouton « TIMER ». Appuyer sur les boutons TEMP+ et TEMP- pour configurer le délai (en heures) avant la mise à l'arrêt de l'appareil. Le nombre d'heures est indiqué sur l'afficheur numérique. Le nombre clignotera sur l'écran à cinq reprises avant de recommencer à afficher la température actuelle.



TIMER



TEMP+



TEMP-

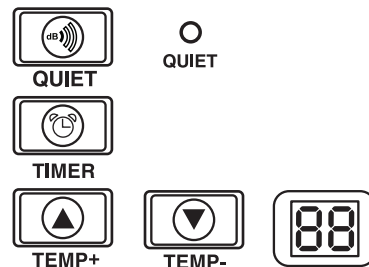


Fonctionnement

Mode Contrôle silencieux

L'appareil inclut un mode Contrôle silencieux qui régularise le refroidissement par le biais de la minuterie et du microprocesseur pour atteindre des niveaux de fonctionnement plus silencieux lorsque le bruit constitue un problème.

Pour activer, appuyer sur le bouton « QUIET » (silencieux). Le voyant à DEL Quiet (silencieux) s'allumera. Sélectionner la température désirée, puis configurer la minuterie pour la durée du cycle du mode Contrôle silencieux. Pendant le cycle, la mémoire du microprocesseur ajustera la température préprogrammée de 1 °C (1,8 °F) après une heure à 2 °C (3,6 °F) après deux heures. Une fois la température atteinte, l'appareil maintiendra la température pendant la période de temps établie.



Changer les degrés de l'appareil

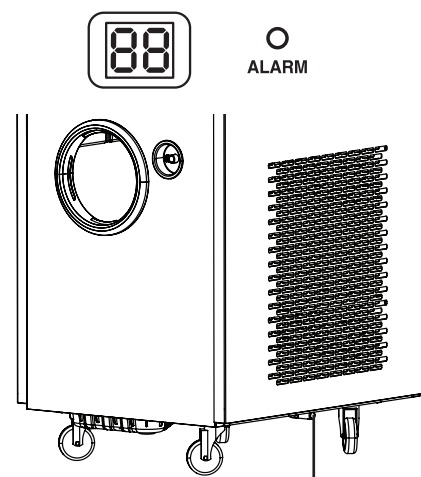
L'appareil peut afficher la température en Celsius et en Fahrenheit. Le paramètre par défaut pour le SRCOOL24KE est en Fahrenheit.

Pour passer d'un mode de température à l'autre, mettre l'appareil en mode attente. Le climatiseur se trouve en mode attente lorsqu'il est branché dans une source d'alimentation CA sous tension, mais qu'il se trouve hors tension. Maintenir ensuite la touche « FUNCTION » (fonction) enfoncée pendant 10 secondes. Pour vérifier que l'unité pour les degrés a été changée, mettre l'appareil sous tension.



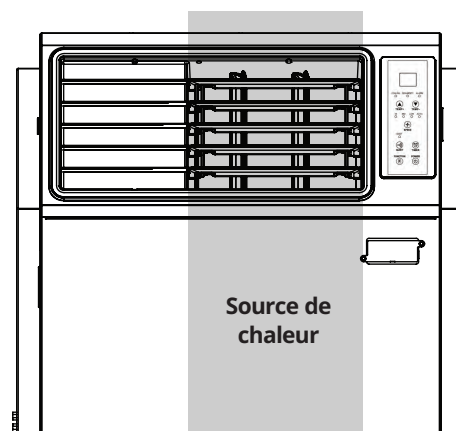
Alarme

Lorsque le réservoir d'eau est plein, l'appareil affichera le message « E4 » sur son écran. Pour reprendre un fonctionnement normal, mettre l'appareil hors tension, retirer le bouchon de drainage et drainer l'excès d'eau de l'appareil. Remettre le bouchon en place et mettre l'appareil sous tension pour commencer le refroidissement.



Retirer le bouchon de vidange situé en bas pour vider le réservoir d'eau.

IMPORTANT : le flux d'air le plus fort se trouve du côté droit lorsque vous faites face à l'appareil. Il est recommandé de positionner ou de canaliser ce côté vers la zone où la charge thermique est la plus élevée.



Nettoyage et entretien

Nettoyer le climatiseur, puis nettoyer ou remplacer régulièrement les filtres pour maximiser le rendement et l'efficacité, prolonger la durée de vie de l'appareil et avoir droit à la garantie en cas de problème de rendement.

Remarque : avant le nettoyage, débrancher le climatiseur de la prise de courant.

Nettoyage des filtres à air

Il est important de garder les filtres à air propres et exempts de poussière. Lorsque les filtres sont sales ou bouchés par la poussière, cela réduit l'efficacité du refroidissement et risque de menacer la qualité de l'air. Eaton recommande de nettoyer les filtres au moins une fois toutes les deux semaines. Si l'appareil est utilisé dans un environnement poussiéreux, les filtres peuvent devoir être nettoyés ou remplacés une fois par semaine.

⚠ Avant de nettoyer les filtres, mettre l'appareil hors tension et le débrancher! Il existe un risque potentiel de choc électrique lorsque l'appareil est branché.

⚠ Ne jamais faire fonctionner l'appareil de refroidissement sans le filtre.

1. Mettre l'appareil hors tension et le débrancher.
2. Retirer les filtres **A** en les faisant glisser hors de l'armoire.
3. Utiliser un aspirateur ou tapoter légèrement le filtre pour enlever la poussière et les saletés qui s'y sont déposées.
4. Laver les filtres à l'eau chaude avec un détergent neutre. Ne pas mettre les filtres dans un lave-vaisselle ni utiliser des détergents ou des produits chimiques forts. Laisser le filtre sécher complètement à l'air après l'avoir nettoyé.

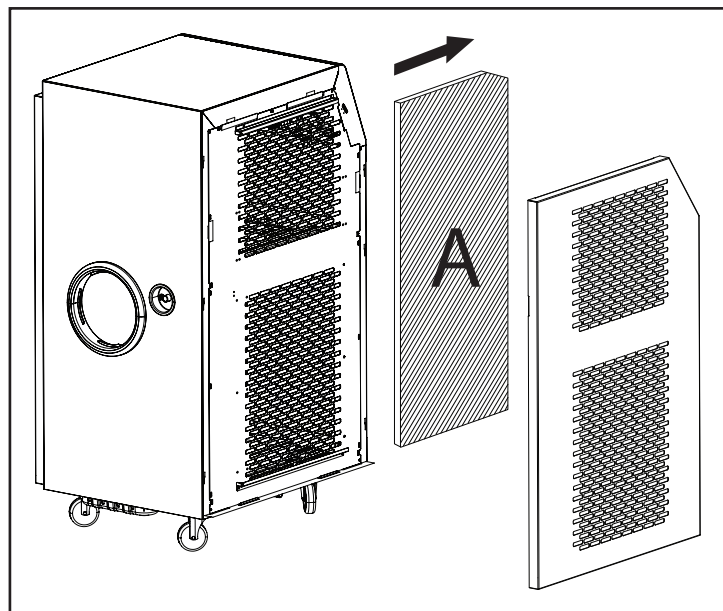
Remarque : ne pas utiliser de l'eau plus chaude que 40 °C (104 °F) pour nettoyer les filtres.

5. Remettre les filtres en place en les faisant glisser dans leur position d'origine.
6. Brancher l'appareil et reprendre le fonctionnement normal.

Nettoyer l'armoire

⚠ Avant de nettoyer l'armoire, mettre l'appareil hors tension et le débrancher! Il existe un risque potentiel de choc électrique lorsque l'appareil est branché.

1. Mettre l'appareil hors tension et le débrancher.
2. Utiliser un chiffon sec et non abrasif pour essuyer l'armoire. Au besoin, utiliser de l'eau tiède pour humidifier le chiffon. Ne jamais utiliser des produits chimiques abrasifs, des substances volatiles, du carburant, du benzène, des diluants, des détergents, des chiffons traités chimiquement ou d'autres produits chimiques puissants ou des solvants de nettoyage qui pourraient endommager l'extérieur de l'armoire. Ne pas verser de l'eau directement sur l'appareil ou sur les pièces mobiles. Cela présente un risque de décharge électrique et risquerait de détériorer les composants électriques et l'isolation des câbles.
3. Utiliser une brosse à poils doux pour nettoyer entre les orifices d'aération.
4. Utiliser soigneusement un aspirateur pour nettoyer les serpentins du condenseur.



Dépannage

Examiner les solutions possibles ci-dessous. Si le problème persiste, rendez-vous sur le site de Triplite.Eaton.com/support pour le service.

Problème	Cause possible	Solution possible
L'appareil ne fonctionne pas.	L'appareil est hors tension.	Mettre l'appareil sous tension. (Consulter la section « Fonctionnement ».)
	L'appareil n'est pas branché.	Brancher l'appareil dans une prise de courant appropriée.
	L'alimentation principale est coupée.	Vérifier les fusibles ou le disjoncteur.
L'appareil est en mode refroidissement.	La température intérieure est trop basse ou trop élevée.	Ajuster la température ou attendre que la température ambiante se situe dans la plage de réglage située entre 17 °C et 30 °C (63 °F-86 °F).
La puissance de refroidissement est insatisfaisante.	L'entrée ou la sortie d'air est bloquée.	Confirmer que toutes les conduites et les entrées sont libres de toute obstruction.
	Le réglage de la température est trop élevé.	Ajuster le paramètre de la température.
	Le réglage de la vitesse du ventilateur est trop faible.	Ajuster le paramètre du ventilateur.
	Les filtres à air sont sales.	Nettoyer les filtres à air.
	La puissance de l'enceinte support, la taille de la pièce ou la température ambiante dépassent la capacité de refroidissement d'un seul appareil.	Installer les appareils supplémentaires ou contacter Eaton pour obtenir des solutions de refroidissement supplémentaires adaptées à votre application.
L'appareil a des fuites d'eau.	Le bouchon de drainage n'est pas installé.	Insérer le bouchon de drainage dans la sortie de drainage. (Consulter la section « Installation ».)
L'appareil génère du bruit excessif ou des vibrations excessives.	L'appareil se trouve sur une surface inégale ou instable.	Déplacer l'appareil sur une surface au niveau et stable.
L'appareil présente une accumulation de glace ou de givre.	L'appareil est utilisé dans un environnement où l'humidité est excessive.	OPTION 1 : Mettre l'appareil hors tension et lui permettre de dégivrer. Une fois l'appareil dégivré, s'assurer qu'il fonctionne lorsque la vitesse du ventilateur est réglée à HIGH (élevée). OPTION 2 : Mettre l'appareil hors tension et lui permettre de dégivrer. Une fois l'appareil dégivré, le faire fonctionner en « DEHUMIDIFY MODE » (mode Déshumidification) ou élever le point de consigne de la température désirée.

Codes d'affichage supplémentaires

Codes d'erreur

Le SRCOOL24KE a la capacité de s'auto-contrôler en permanence. En cas d'erreur, l'écran affiche l'un des codes d'erreur ci-dessous :

Code d'erreur	Description
E1	Erreur au niveau de la sonde de température intérieure
E2	Erreur au niveau de la sonde de température interne
E3	Erreur au niveau du réfrigérant
E4	Réservoir d'eau plein
E5	Erreur du moteur du ventilateur de l'évaporateur
E6	Erreur du moteur du ventilateur du condenseur
EC	Erreur de communication interne

Pour les codes d'erreur E1, E2, E3, E5, E6 et EC, procéder comme suit :

1. Mettre l'appareil hors tension en le débranchant de la source d'alimentation pendant 5 minutes.
2. Rebrancher l'appareil.
3. Redémarrer l'appareil.

Dépannage

Si le code d'erreur disparaît, vous pouvez continuer à utiliser l'appareil normalement. Si le code d'erreur réapparaît, veuillez contacter votre distributeur local pour obtenir des instructions supplémentaires.

EC : Rupture de communication. Il n'y a pas de signal entre le tableau d'affichage et le tableau principal de contrôle et l'opération continue au bout de 5 secondes.

E5 : Panne du moteur du ventilateur supérieur (évaporateur). Aucun signal de sortie du moteur du ventilateur supérieur n'a été détecté et l'opération continue au bout de 10 secondes.

E6 : panne du moteur du ventilateur inférieur (condenseur). Aucun signal de sortie du moteur du ventilateur supérieur n'a été détecté et l'opération continue au bout de 10 secondes.

Lorsque la T1 (la température de l'air de retour de l'évaporateur/température intérieure) est supérieure à 50 °C (122 °F), l'appareil s'arrête de fonctionner jusqu'à ce que la T1 revienne à 48 °C (118 °F) ou à une température plus basse, l'appareil redémarre à partir du réglage précédent.

Fonction de protection contre le dégivrage (code d'erreur « dF »)

Le message « dF » s'affiche lorsque le SRCOOL24KE détecte une situation dans laquelle le serpentin fonctionne en dessous de -3 °C (27 °F) pendant plus de 15 minutes.

Lorsque le compresseur fonctionne en continu pendant 10 minutes et qu'il s'avère que la température du serpentin intérieur est inférieure ou égale à -3 °C (27 °F), le compresseur et le ventilateur inférieur (condenseur) s'arrêtent de fonctionner et le ventilateur supérieur (évaporateur) fonctionne à grande vitesse. Si le compresseur s'arrête pendant 3 minutes et que la température du serpentin intérieur est supérieure ou égale à 3 °C (37 °F), le compresseur redémarre, quitte la protection contre le dégivrage et reprend le réglage précédent.

Entreposage et entretien

Entreposage

Avant de ranger l'appareil, vérifiez que les événements sont retenus ou enlevés et qu'ils ont été correctement entretenus. Vérifiez également que l'unité soit vidée de la condensation.

Entretien

Votre produit est couvert par la garantie décrite dans ce manuel. Divers programmes d'extension de garantie et d'intervention sur site sont également disponibles. Pour plus d'informations sur le service, consulter TrippLite.Eaton.com/support Avant de retourner le produit pour la réparation, procéder comme suit :

1. Passer en revue les procédures d'installation et de fonctionnement dans ce manuel afin de s'assurer que le problème ne provient pas d'une mauvaise interprétation des instructions.
2. Si le problème persiste, ne pas communiquer ou renvoyer le produit chez le concessionnaire. Consulter plutôt TrippLite.Eaton.com/support.
3. Si le problème nécessite une intervention, consulter TrippLite.Eaton.com/support/rma-request. De là, il est possible de demander un numéro d'autorisation de retour de matériel (RMA), qui est requis pour le service. Ce simple formulaire en ligne demandera le modèle de l'appareil et le numéro de série, ainsi que d'autres informations générales. Le numéro RMA ainsi que des instructions d'expédition seront envoyés par courriel. Tout dommage (direct, indirect, spécial ou consécutif) subi par le produit au cours de son expédition vers Eaton ou un centre de service agréé n'est pas couvert par la garantie. Les produits expédiés à Eaton ou à un centre de service agréé doivent faire l'objet d'un prépaiement des frais de transport. Inscrire le numéro de RMA à l'extérieur de l'emballage. Si le produit est dans sa période de garantie, joindre une copie du reçu de caisse. Retourner le produit pour réparation par un transporteur assuré à l'adresse que l'on vous a fournie lorsque vous avez demandé un « RMA ».

Schémas des circuits

Le schéma suivant est donné uniquement à titre indicatif. Il n'existe aucune pièce réparable par l'utilisateur à l'intérieur de l'appareil.

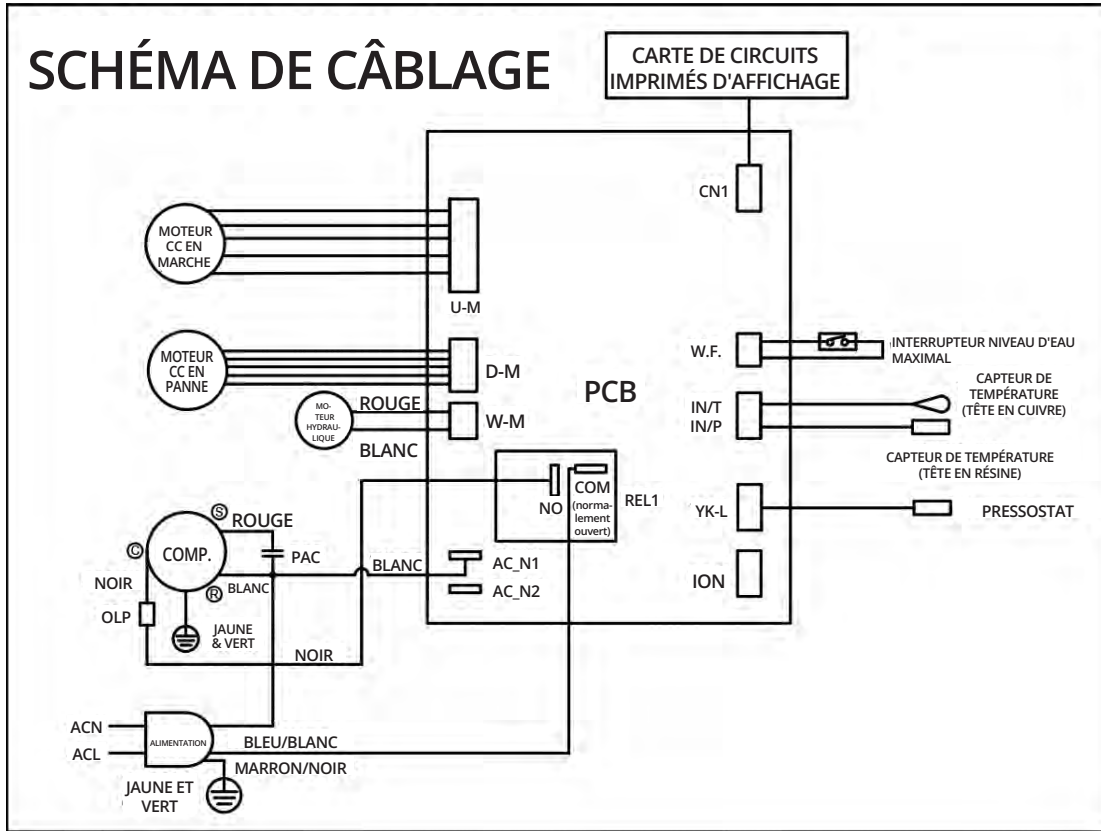


Schéma du circuit

Instructions pour la réparation d'appareils contenant le réfrigérant R32



Ce produit n'est pas réparable par l'utilisateur. Seuls des techniciens qualifiés ayant suivi une formation et obtenu une certification en matière de sécurité peuvent manipuler, installer ou entretenir des systèmes CVC utilisant le fluide réfrigérant R32.

Procédure de travail

Les travaux doivent être entrepris dans le cadre d'une procédure contrôlée afin de réduire au minimum le risque de présence de gaz ou de vapeurs inflammables pendant l'exécution des travaux.

Zone de travail générale

Tout le personnel d'entretien et les autres personnes travaillant dans la zone locale doivent être informés de la nature des travaux effectués. Le travail dans des espaces confinés doit être évité.

Vérification de la présence de fluide frigorigène

La zone doit être contrôlée à l'aide d'un détecteur de réfrigérant approprié avant et pendant les travaux afin de s'assurer que le technicien est conscient de la présence d'atmosphères potentiellement toxiques ou inflammables. S'assurer que l'équipement de détection des fuites utilisé est adapté à l'utilisation de tous les réfrigérants applicables, c'est-à-dire qu'il ne produit pas d'étincelles, qu'il est correctement scellé ou qu'il est intrinsèquement sûr.

Présence d'un extincteur

Si un travail à chaud doit être effectué sur l'équipement frigorifique ou sur toute pièce associée, un équipement d'extinction d'incendie approprié doit être disponible. Disposez d'un extincteur à poudre ou à CO₂ à proximité de la zone de chargement.

Pas de sources d'allumage

Aucune personne effectuant des travaux en rapport avec un SYSTÈME DE RÉFRIGÉRATION qui implique la mise à nu d'une tuyauterie ne doit utiliser de sources d'allumage susceptibles d'entraîner un risque d'incendie ou d'explosion. Toutes les sources d'inflammation possibles, y compris la cigarette, doivent être suffisamment éloignées du site d'installation, de réparation, d'enlèvement et d'élimination, au cours desquels du réfrigérant peut éventuellement être libéré dans l'espace environnant. Avant le début des travaux, la zone autour de l'équipement doit être examinée pour s'assurer qu'il n'y a pas de risques d'inflammabilité ou d'inflammation. Des panneaux « Interdiction de fumer » doivent être apposés.

Zone ventilée

S'assurer que la zone est à l'air libre ou qu'elle est correctement ventilée avant de pénétrer dans le système ou d'effectuer un travail à chaud. Une certaine ventilation doit être maintenue pendant la durée des travaux. La ventilation doit permettre de disperser en toute sécurité tout réfrigérant libéré et, de préférence, de l'expulser dans l'atmosphère.

Déclassement

Ne jetez pas ce produit avec les ordures ménagères. Contactez votre service local d'élimination des déchets ou Eaton pour connaître les possibilités d'élimination en toute sécurité.

Étiquetage

L'équipement doit porter une étiquette indiquant qu'il a été mis hors service et vidé de son fluide frigorigène. L'étiquette doit être datée et signée. Pour les appareils contenant des RÉFRIGÉRANTS INFLAMMABLES, s'assurer que l'équipement porte une étiquette indiquant qu'il contient un RÉFRIGÉRANT INFLAMMABLE.

Récupération

Lorsque vous retirez le fluide frigorigène d'un système à des fins d'entretien ou de mise hors service, il est recommandé de veiller à ce que tous les fluides frigorigènes soient retirés en toute sécurité.

Lors du transfert de réfrigérant dans des bouteilles, veillez à n'utiliser que des bouteilles de récupération de réfrigérant appropriées. Veillez à ce que le nombre de bouteilles nécessaires au maintien de la charge totale du système soit disponible. Toutes les bouteilles à utiliser sont désignées pour le réfrigérant récupéré et étiquetées pour ce réfrigérant (c'est-à-dire des bouteilles spéciales pour la récupération du réfrigérant). Les bouteilles doivent être équipées d'une soupape de surpression et des vannes d'arrêt correspondantes en bon état de fonctionnement. Les bouteilles de récupération vides sont évacuées et, si possible, refroidies avant la récupération.

L'équipement de récupération doit être en bon état de fonctionnement, accompagné d'un ensemble d'instructions concernant l'équipement disponible et doit permettre de récupérer tous les réfrigérants appropriés, y compris, le cas échéant, les RÉFRIGÉRANTS INFLAMMABLES. En outre, un jeu de balances étalonnées doit être disponible et en bon état de fonctionnement. Les tuyaux doivent être complets, avec des raccords étanches, et en bon état. Avant d'utiliser la machine de récupération, vérifier qu'elle est en bon état de fonctionnement, qu'elle a été correctement entretenue et que tous les composants électriques associés sont scellés afin d'éviter toute inflammation en cas de fuite de réfrigérant. En cas de doute, consultez le fabricant. Le réfrigérant récupéré est renvoyé au fournisseur dans le cylindre de récupération approprié et le bordereau de transfert des déchets correspondant doit être établi. Ne mélangez pas les réfrigérants dans les unités de récupération et surtout pas dans les bouteilles.

Si les compresseurs ou les huiles de compresseur doivent être retirés, assurez-vous qu'ils ont été évacués à un niveau acceptable pour garantir qu'il ne reste pas de RÉFRIGÉRANTS INFLAMMABLES dans le lubrifiant. Le processus d'évacuation doit être effectué avant de renvoyer le compresseur aux fournisseurs. Seul le chauffage électrique du corps du compresseur doit être utilisé pour accélérer ce processus. Le vidage d'huile d'un système doit être effectué en toute sécurité.

Garantie et enregistrement du produit

Garantie

GARANTIE LIMITÉE DE DEUX ANS (États-Unis et Canada) GARANTIE LIMITÉE D'UN AN (toutes les autres régions)

Nous garantissons que nos produits sont exempts de défauts de matériaux et de fabrication pendant une période de 2 ans (États-Unis et Canada) ou 1 an (toutes les autres régions) à compter de la date d'achat initial. Notre responsabilité, en vertu de la présente garantie se limite à la réparation ou au remplacement (à sa seule discrétion) de ces produits défectueux. Visitez TrippLite.Eaton.com/support/product-returns avant de renvoyer tout équipement pour réparation. Cette garantie ne s'applique pas au matériel ayant été endommagé suite à un accident, à une négligence ou à une application abusive, ou ayant été altéré ou modifié d'une façon quelconque.

Les limitations suivantes s'appliquent à la couverture de cette garantie. Cette garantie ne couvre pas :

- Les frais de main-d'œuvre pour l'installation, la configuration ou la formation pour l'utilisation du produit
- Les dommages survenus au cours de l'expédition ou tout dommage causé par un emballage inapproprié pour l'expédition à un centre de réparation autorisé et tout dommage causé par une mauvaise tension ou autre utilisation abusive, y compris un service, une manutention ou un usage anormal
- Les dommages esthétiques comme les égratignures et les bosses
- L'usure normale sur les pièces ou les pièces de remplacement conçues pour être remplacées, p. ex. les filtres, les cartouches, les batteries
- Les déplacements pour la livraison, la récupération ou la réparation, l'installation du produit ou pour montrer comment se servir du produit
- Les dommages ou les problèmes de fonctionnement résultant d'une mauvaise utilisation, d'un abus, d'un fonctionnement en dehors des caractéristiques environnementales, de l'usage contraire aux directives fournies dans le manuel de l'utilisateur, des accidents, des catastrophes naturelles, de la vermine, d'un incendie, d'une inondation, d'une mauvaise utilisation, d'un entretien non autorisé, d'une négligence lors de l'entretien, d'une installation, d'une modification ou d'une location non autorisée ou d'une utilisation commerciale
- L'utilisation du produit dans des lieux commerciaux ou de location
- Accessoires en option et des éléments décoratifs
- Les produits qui ont été modifiés pour fonctionner en dehors des caractéristiques techniques
- Les produits dont le numéro de série a été éliminé ou dégradé
- Les produits dont le numéro de série a été invalidé
- Les dommages aux biens personnels dus à l'utilisation du produit
- Remplacement ou réparation des fusibles, des disjoncteurs, du câblage ou de la plomberie de l'installation

Enregistrement du produit

Veillez visiter TrippLite.Eaton.com/warranty aujourd'hui pour enregistrer votre nouveau produit. Vous serez automatiquement inscrit(e) à un tirage pour avoir une chance de gagner un produit Eaton Tripp Lite series GRATUIT!*

* Aucun achat nécessaire. Nul part où la loi l'interdit. Certaines restrictions s'appliquent. Visiter le site Web pour plus de renseignements.

Conformité réglementaire

Numéros d'identification de conformité réglementaire

Pour la certification et l'identification de conformité réglementaire, un numéro de série unique a été attribué à votre produit. Le numéro de série, ainsi que toutes les marques d'homologation et les renseignements requis, se trouvent sur la plaque signalétique du produit. Lorsque des renseignements sont demandés concernant la conformité de ce produit, toujours se reporter au numéro de série. Le numéro de série ne doit pas être confondu avec le nom de la marque ou le numéro de modèle du produit.



Renseignements sur la conformité à la directive DEEE pour les clients et les recycleurs (Union européenne)

En vertu de la directive et des règlements d'application relatifs aux déchets d'équipements électriques et électroniques (DEEE), lorsque des clients achètent de l'équipement électrique et électronique neuf d'Eaton, ils ont droit :

- À l'envoi de l'ancien équipement au recyclage sur la base d'un pour un, à l'identique (cela varie selon les pays).
- Au renvoi du nouvel équipement pour recyclage lorsqu'il devient un déchet.

Il n'est pas recommandé d'utiliser cet équipement pour des appareils de survie où une défaillance de cet équipement peut, selon toute vraisemblance, entraîner la défaillance de l'appareil de maintien de la vie ou nuire de façon majeure à sa sécurité ou à son efficacité.

Eaton mène une politique d'amélioration continue. Les caractéristiques techniques sont modifiables sans préavis. Les produits réels peuvent différer légèrement des photos et des illustrations.



Powering Business Worldwide

Eaton
1000 Eaton Boulevard
Cleveland, OH 44122
United States
Eaton.com

© 2025 Eaton
Tous droits réservés.
Publication n° 25-04-080 / 934BB2_RevC
Avril 2025

Eaton est une marque déposée.

Toutes les marques de commerce sont la propriété de leurs propriétaires respectifs.