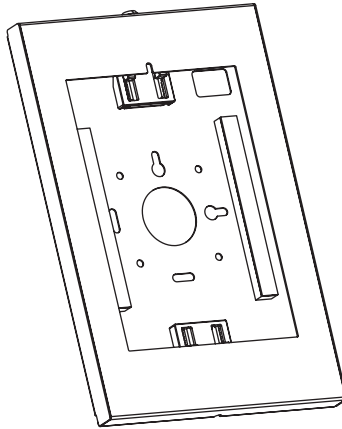


Tablet Mount for 9.7 to 11" Tablets

Model:
DMTB11



Este manual está disponible en español en la página de Eaton:
Tripplite.Eaton.com/support

Ce manuel est disponible en français sur le site Web de Eaton :
Tripplite.Eaton.com/support

Русскоязычная версия настоящего руководства представлена на веб-сайте
компании Eaton по адресу: Tripplite.Eaton.com/support

Dieses Handbuch ist in deutscher Sprache auf der Eaton-Website verfügbar:
Tripplite.Eaton.com/support



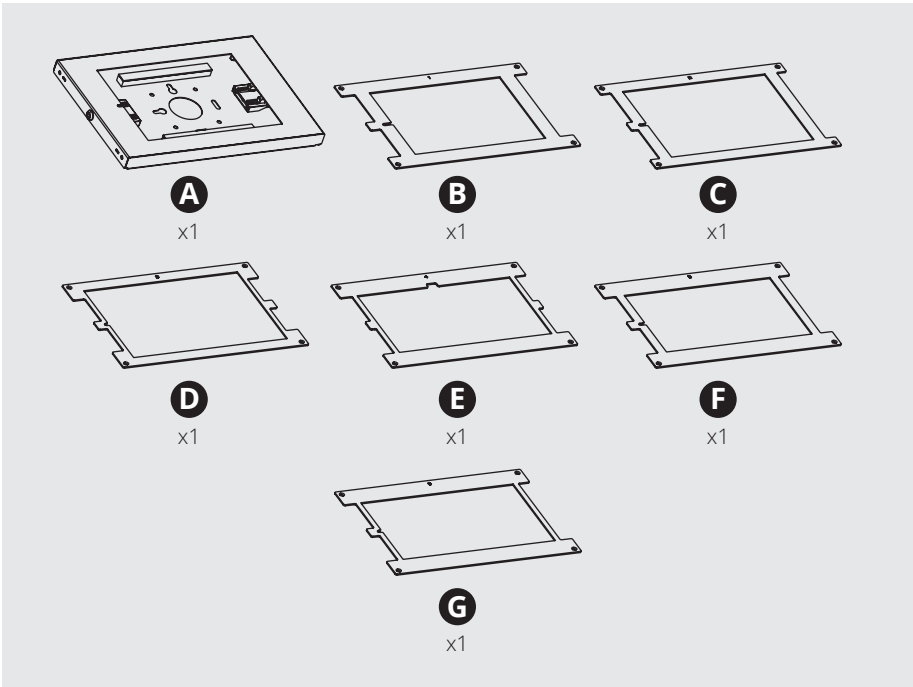
PRODUCT REGISTRATION

Register your product today for a
chance to win an ISOBAR® surge
protector in our monthly drawing!

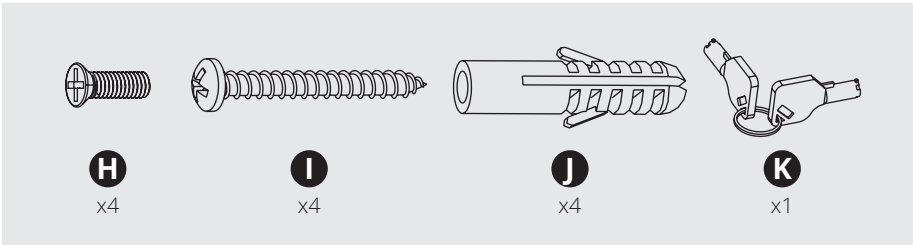
Tripplite.Eaton.com/warranty



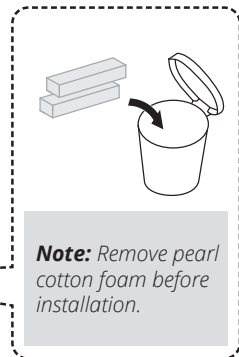
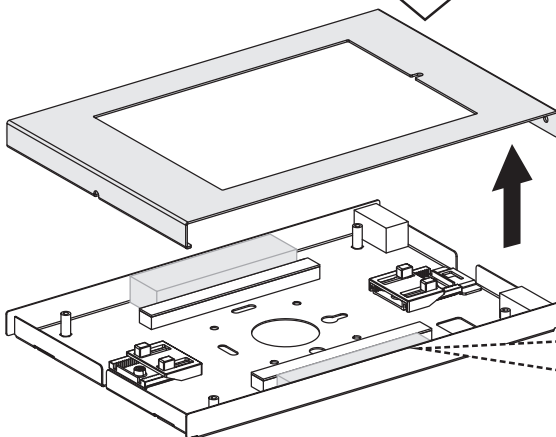
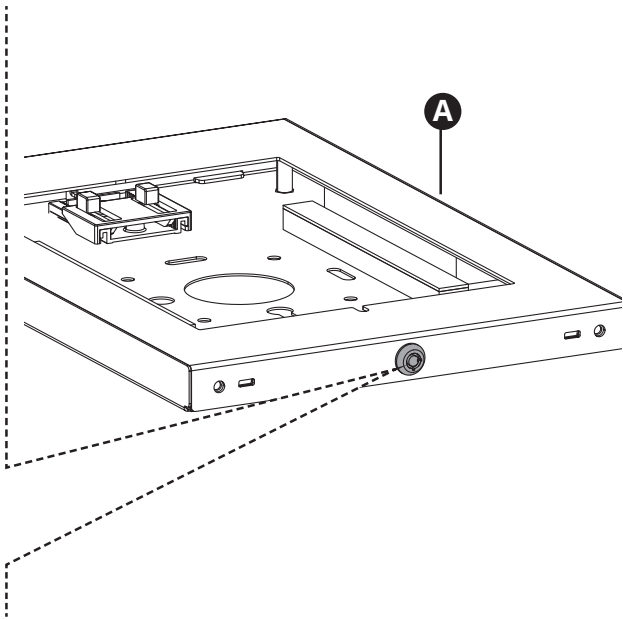
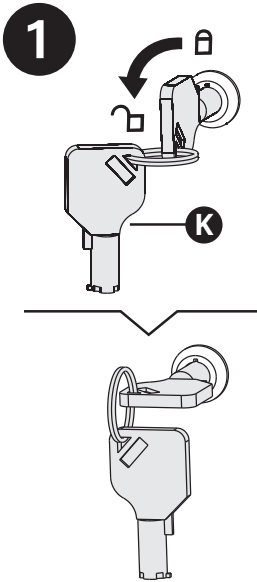
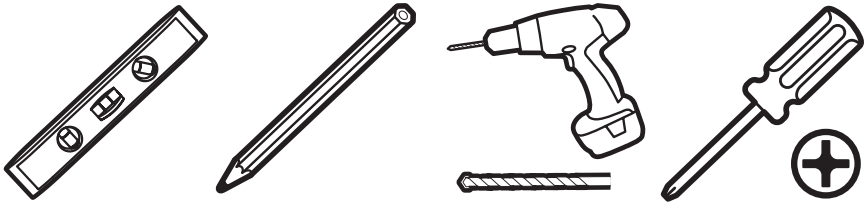
Component Checklist



Package P

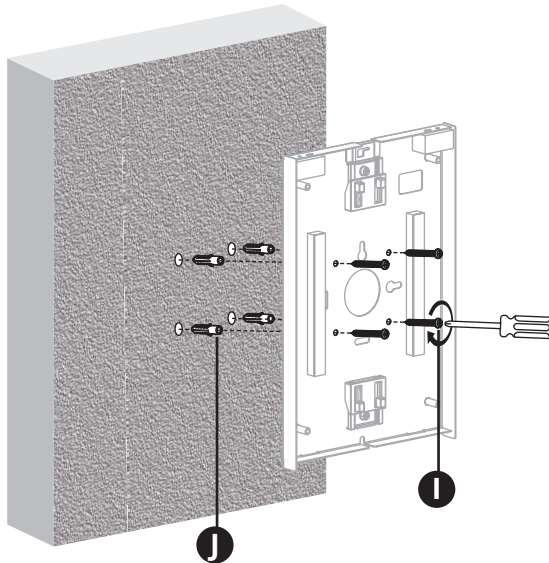
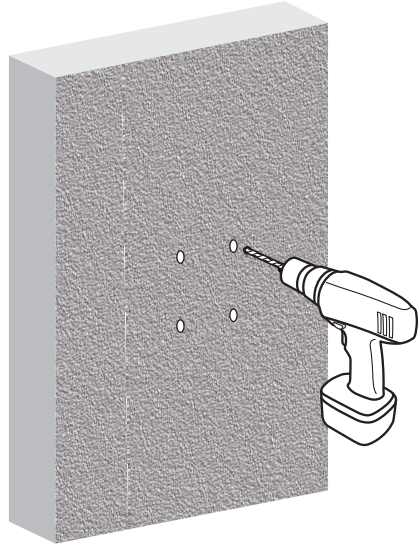
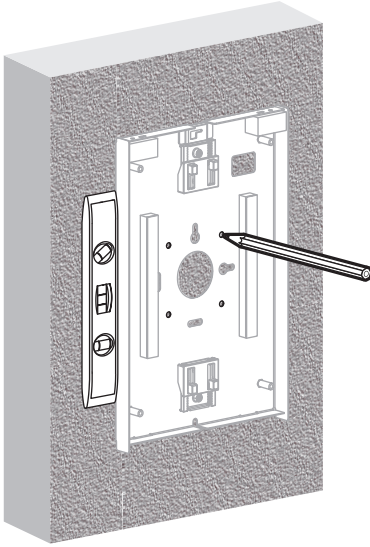
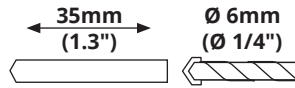
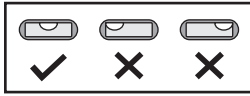


Installation



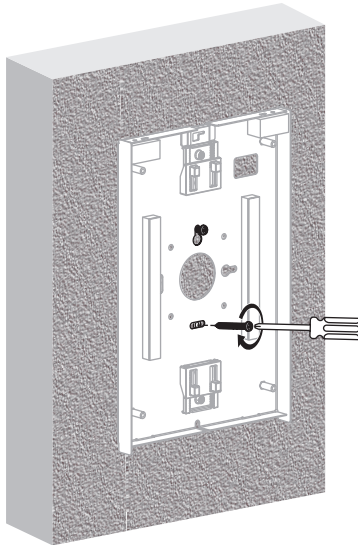
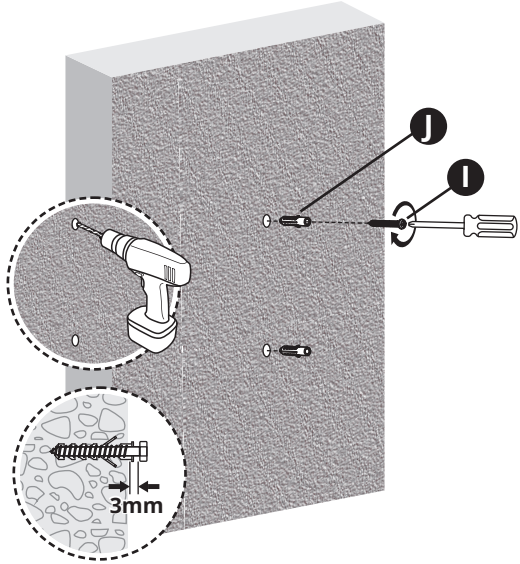
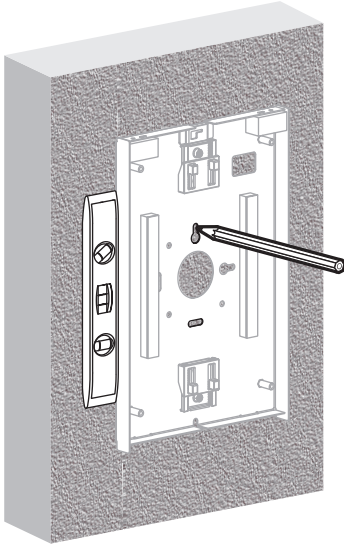
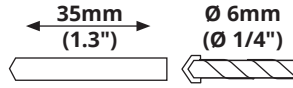
Installation

2



Installation

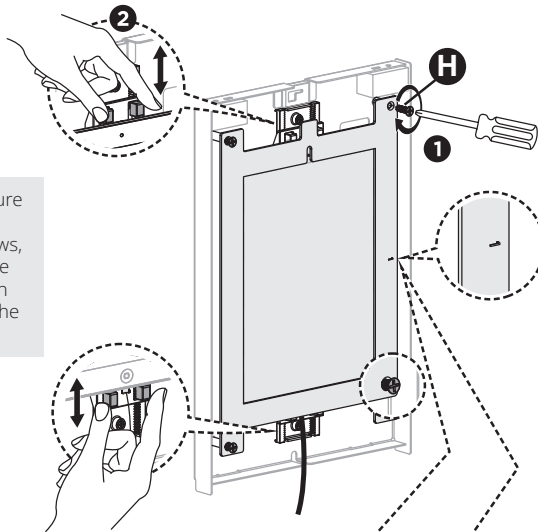
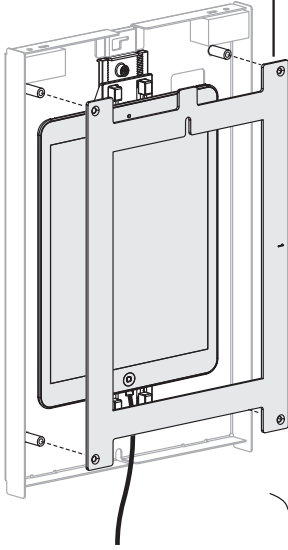
2



Installation

3

B C D E F G



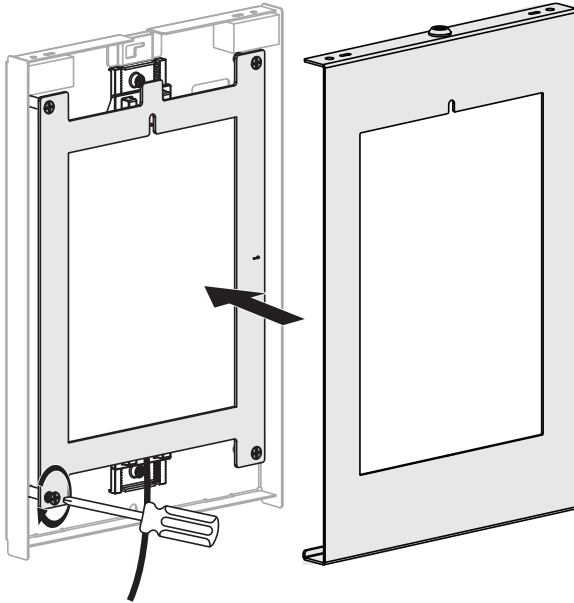
Attach the panel to the enclosure using four screws **H**. Before completely tightening the screws, adjust the two claws to hold the tablet and to ensure the screen is aligned and visible through the front panel.

Choose the corresponding panel according to the tablet.

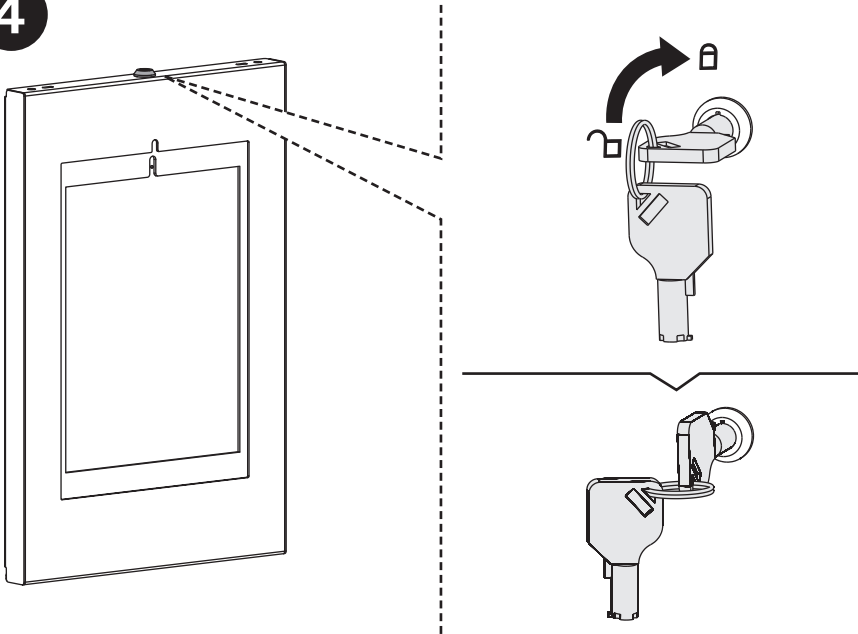
- Panel **B**: For 9.7" iPad 5/6, iPad Air 1/2 & iPad Pro (Gen 1)
- Panel **C**: For 10.2" iPad 7 /8/9 & 10.5" iPad Air 3, iPad Pro (Gen 2)
- Panel **D**: For 11" iPad Pro (Gen 3/4/5) & 10.9" iPad Air 4
- Panel **E**: For 10.4" Samsung Galaxy Tab A7
- Panel **F**: For 10.1" Samsung Galaxy Tab A
- Panel **G**: For 10.4" Samsung Galaxy Tab S6

Installation

3



4





Powering Business Worldwide

Eaton
1000 Eaton Boulevard
Cleveland, OH 44122
United States
Eaton.com

© 2024 Eaton
All Rights Reserved
Publication No. 23-06-268 / 93-41DB_RevB
April 2024

Eaton is a registered trademark.

All trademarks are property of
their respective owners.