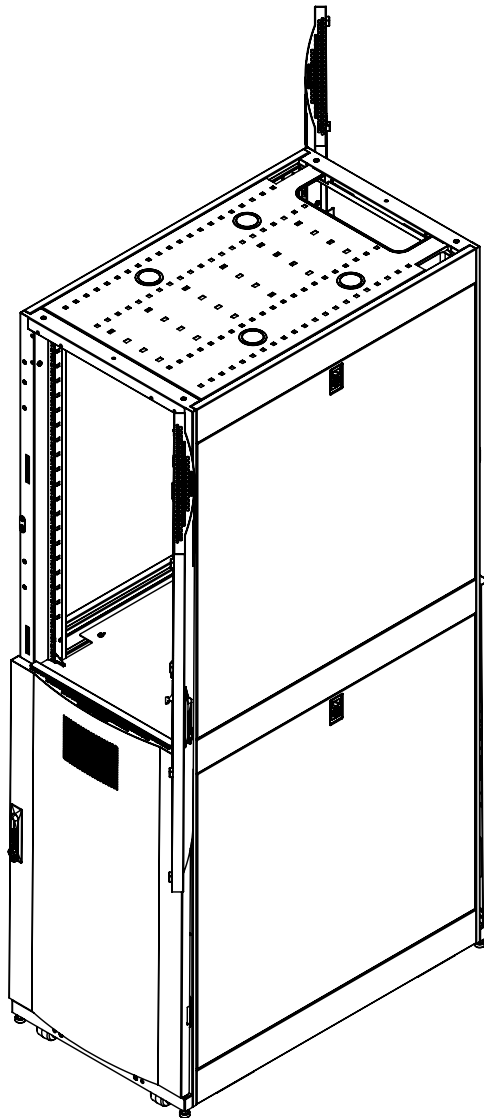


Assembly Instructions

SmartRack®

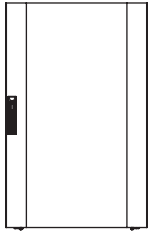
Models: SRCOLOKIT45U, SRCOLOKIT45UDP



1111 West 35th Street, Chicago, IL 60609 USA • tripplite.com/support

Copyright © 2022 Tripp Lite. All trademarks are the sole property of their respective owners.

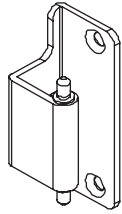
Parts List



A

Colo Door

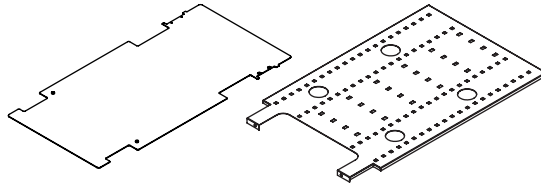
x4



B

Hinge
Brackets

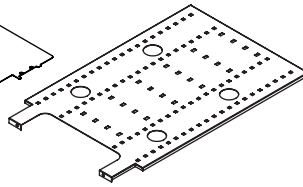
x4



C

Divider
Plate

x1



D

Roof

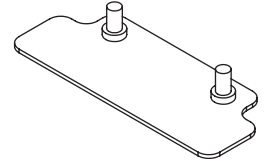
x1



E

Cable
Channel

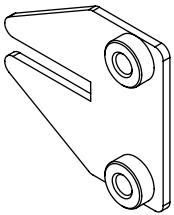
x2



F

Blocking
Plate

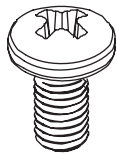
x1



G

Divider Plate
Bracket

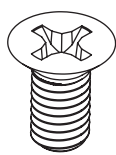
x4



H

M6 Screw

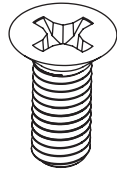
x2



I

M6 x 10 mm
Flat Head
Screw

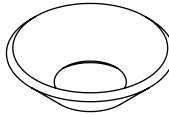
x8



J

M6 x 16mm
Flat Head
Screw, Zinc

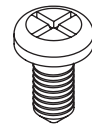
x8



K

Cone Washer

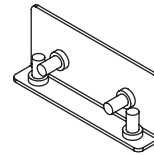
x8



L

M4 Screw

x8



M

Cable
Channel Plate

x2

Required tools (User Supplied):

Phillips Head Screwdriver

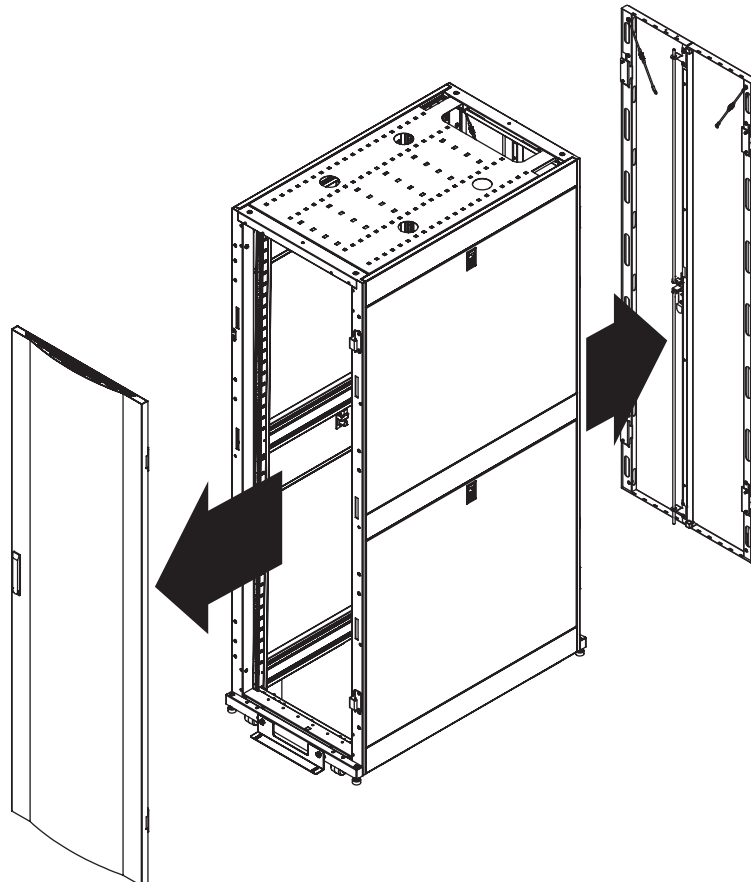


WARNING: The rack enclosure is extremely heavy. Do not attempt to unpack, move, assemble or install the enclosure without assistance. Until it has been properly assembled and stabilized, the enclosure is prone to tipping and could cause property damage and/or personal injury. Use extreme caution when assembling the enclosure. Do not attempt to install equipment without first stabilizing the enclosure.

step

1

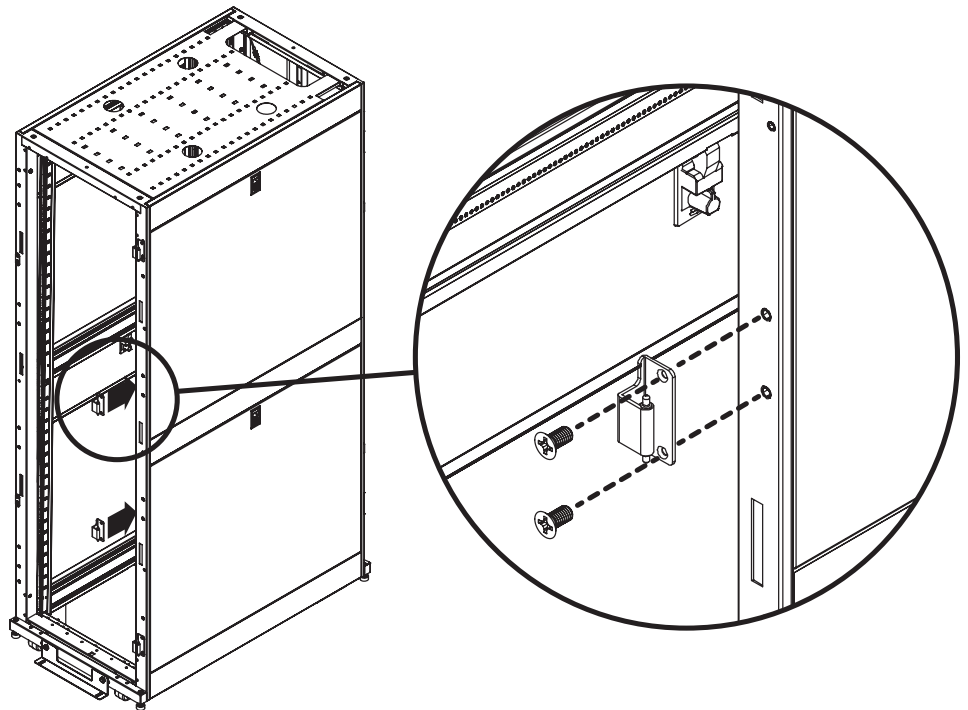
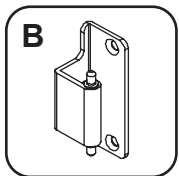
Remove front and rear doors.



step

2

For front doors, attach additional hinge brackets to door frame on the same side as the existing hinge brackets.

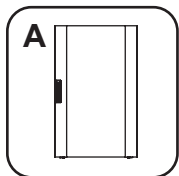


For rear doors, move two hinge brackets so that all brackets are on the same side of the door frame.

step

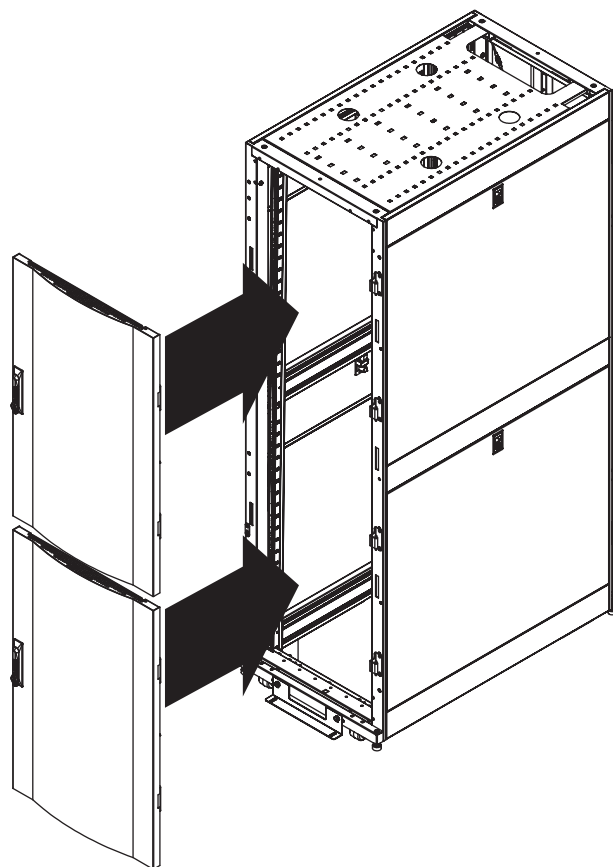
3

Attach colo doors to hinges on frame.



4

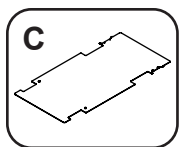
Repeat step 3 for rear doors.



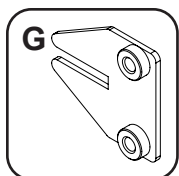
step

4

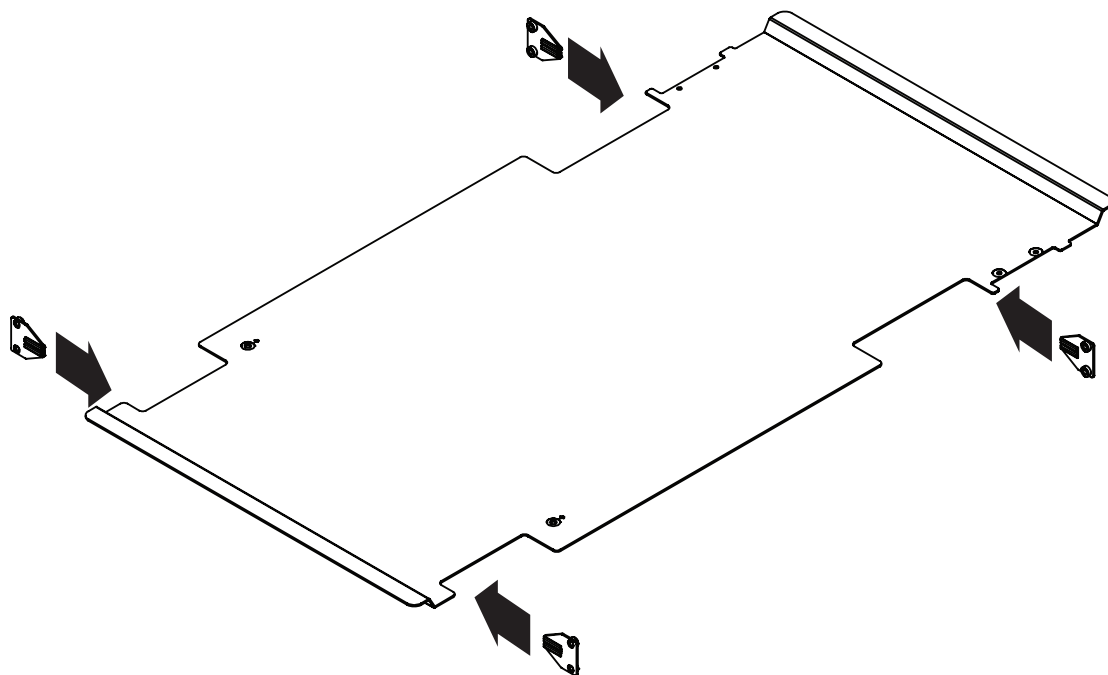
Assemble divider plate brackets onto divider plate. There are left and right brackets. Make sure the flat surface of the brackets face away from each other when assembled to divider plate.



1



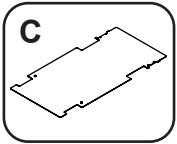
4



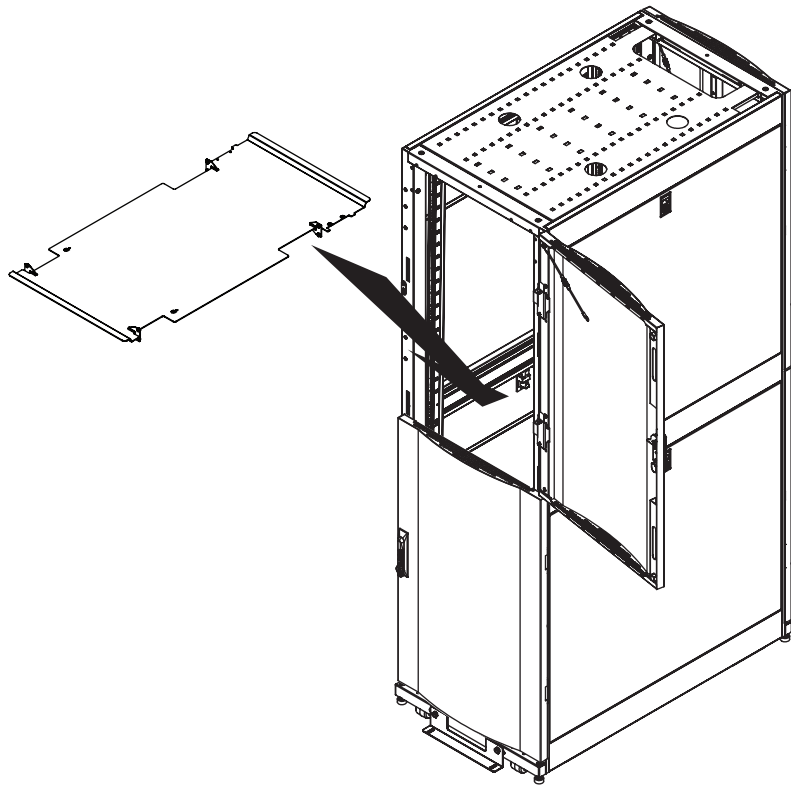
step

5

Using an assistant, install divider. Divider should be installed with lower doors installed and completely closed so divider can rest on the lower doors while installing M6 washers and screws. Lock the doors to prevent them from opening and damaging the divider. Brackets on divider should be on the inside of the rack vertical rails.



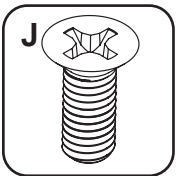
1



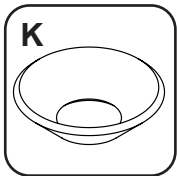
step

6

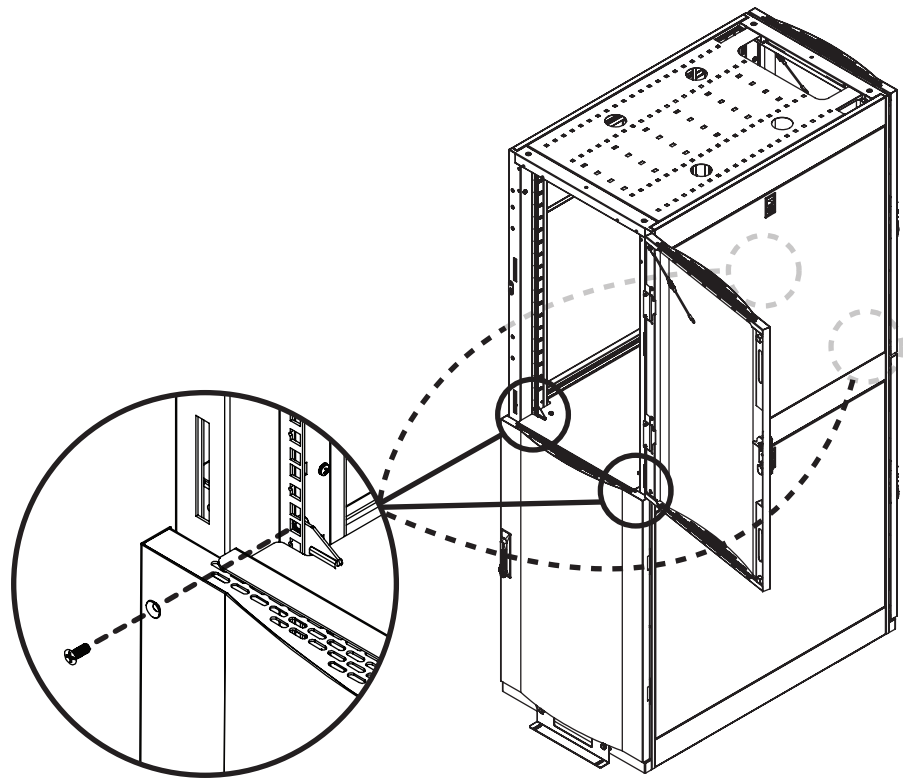
Install upper M6 washers and screws in the topmost hole of "U" number 23 for a 45U rack. DO NOT open lower doors until four of these washers and screws are installed onto the four vertical rails.



4



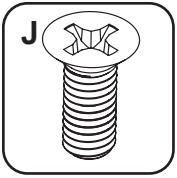
4



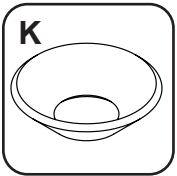
step

7

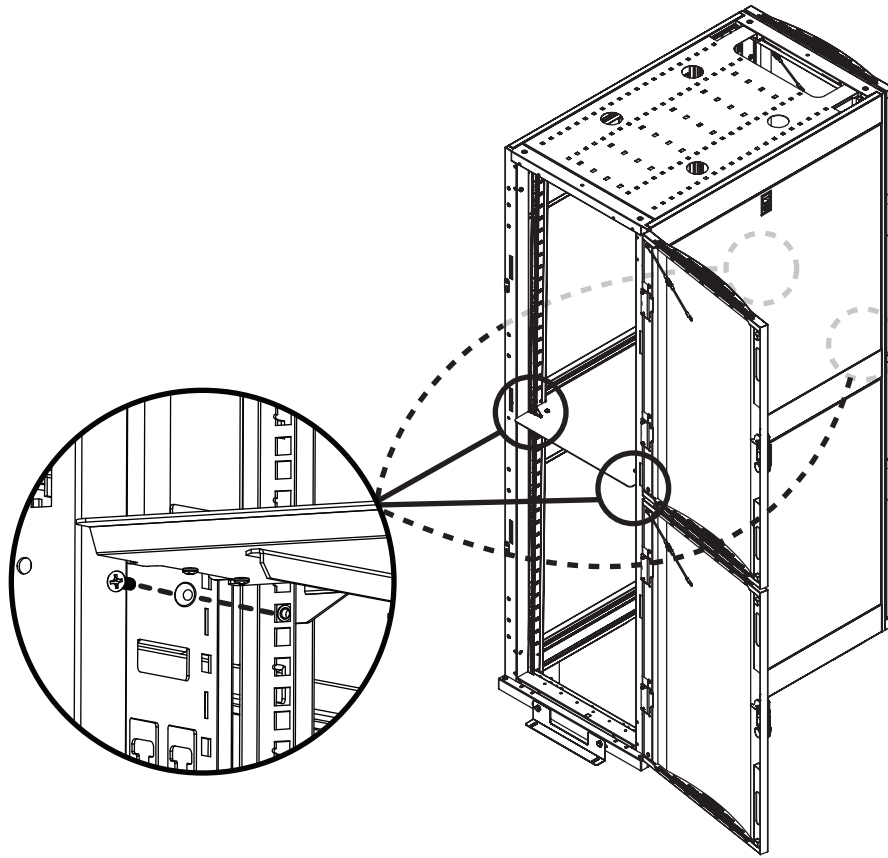
Once upper M6 hardware is installed, the bottom doors can safely be opened to install the lower M6 hardware.



4

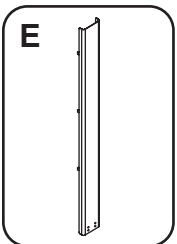


4



step

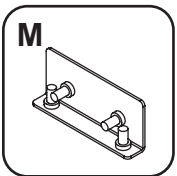
8



2

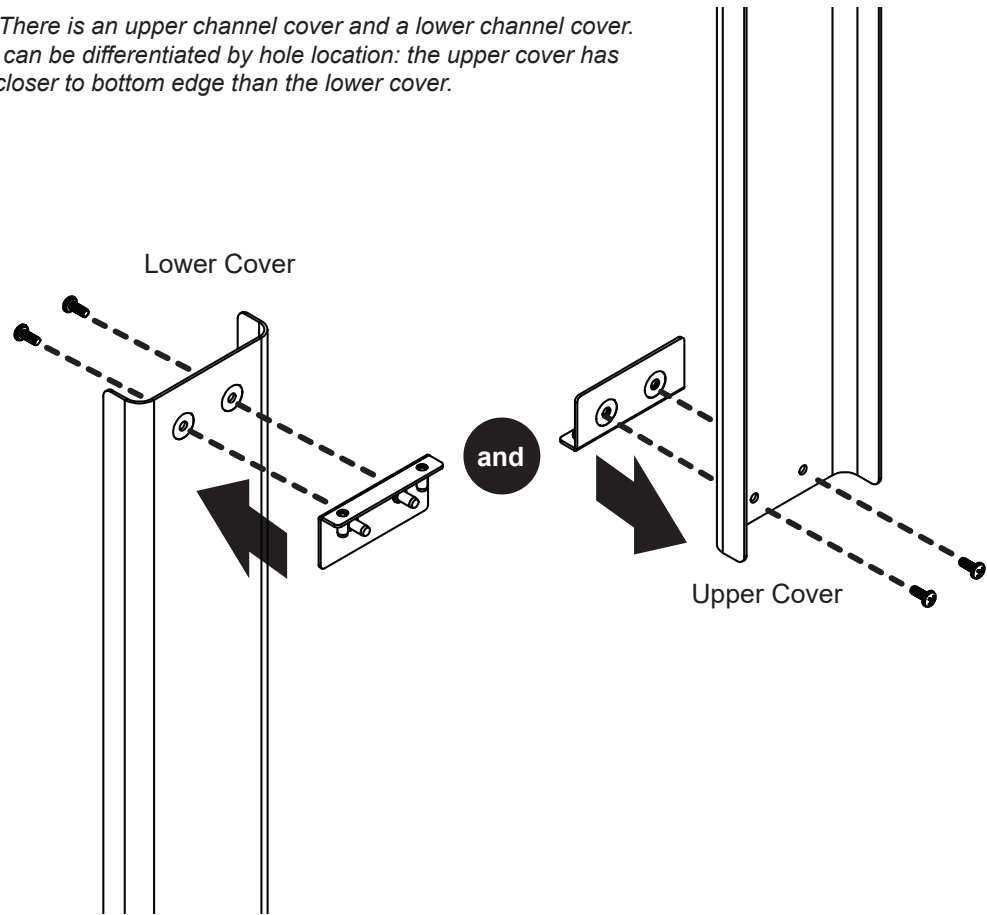


4



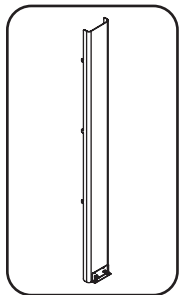
2

Note: There is an upper channel cover and a lower channel cover. These can be differentiated by hole location: the upper cover has holes closer to bottom edge than the lower cover.



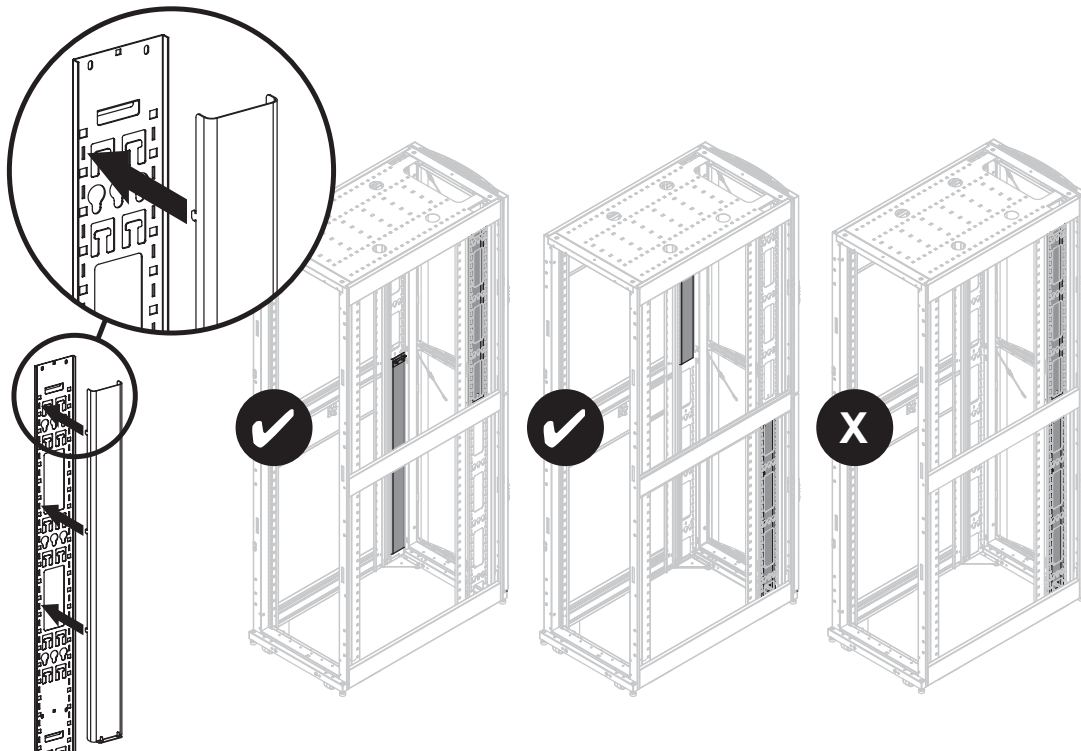
step

9



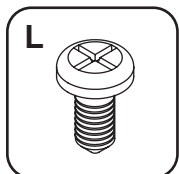
2

Install cable channels onto the cable managers using the tabs.

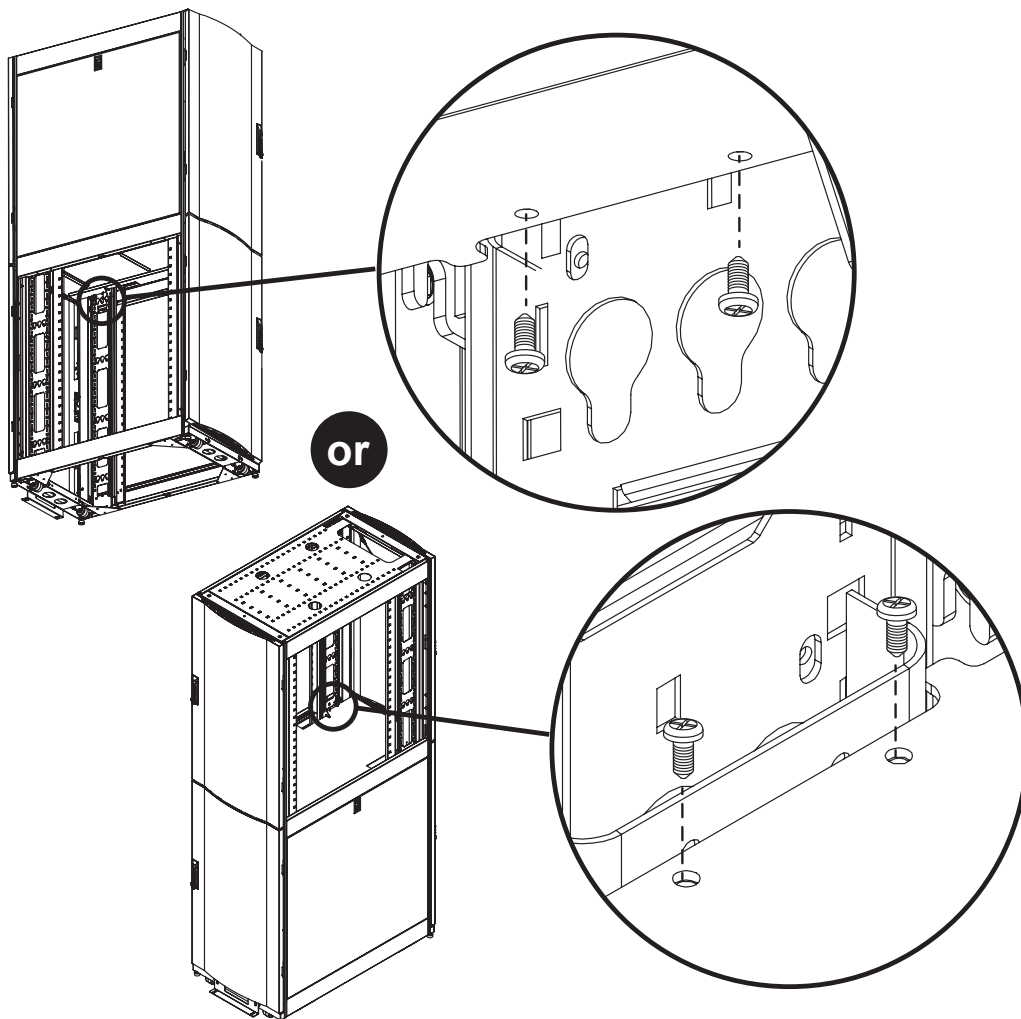


step

10



2

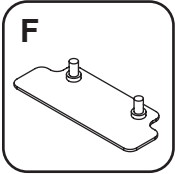


7

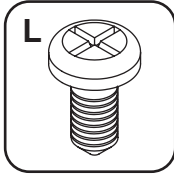
step

11

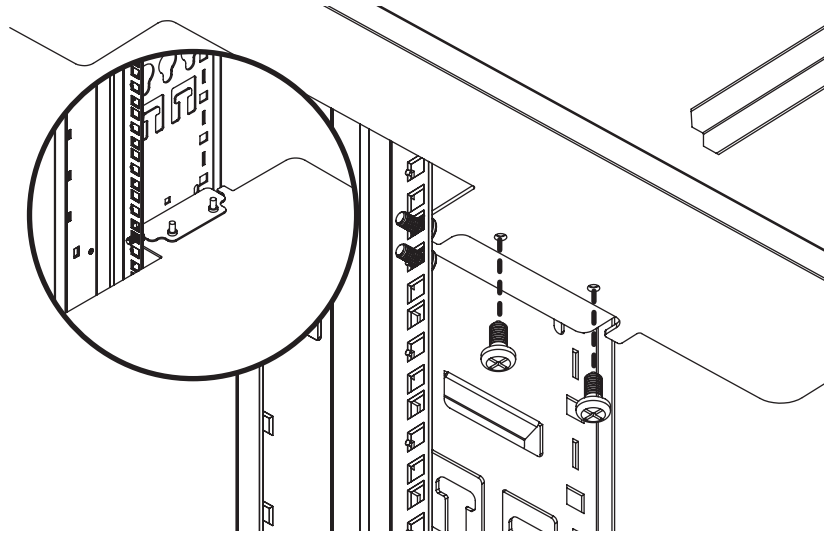
If you only put in one cable channel, install the blocking plate on the side opposite the cable channel. Secure the plate to the divider.



1



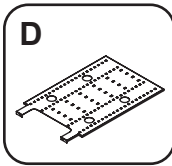
2



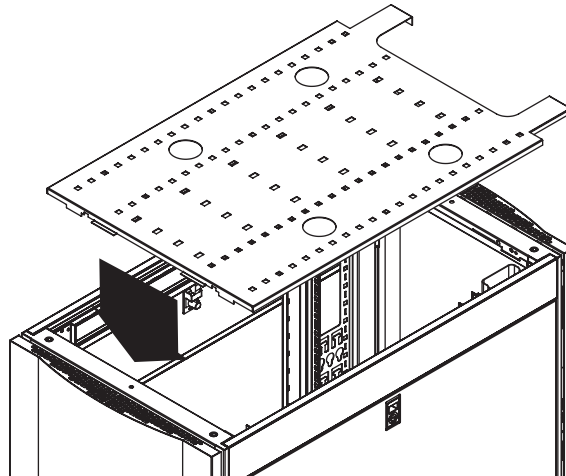
step

12

Install roof.
No fasteners are needed.



1



TRIPP·LITE

1111 West 35th Street, Chicago, IL 60609 USA • triplite.com/support

Tripp Lite has a policy of continuous improvement. Specifications are subject to change without notice.
Photos and illustrations may differ slightly from actual products.